



Chipsmall Limited consists of a professional team with an average of over 10 year of expertise in the distribution of electronic components. Based in Hongkong, we have already established firm and mutual-benefit business relationships with customers from,Europe,America and south Asia,supplying obsolete and hard-to-find components to meet their specific needs.

With the principle of “Quality Parts,Customers Priority,Honest Operation,and Considerate Service”,our business mainly focus on the distribution of electronic components. Line cards we deal with include Microchip,ALPS,ROHM,Xilinx,Pulse,ON,Everlight and Freescale. Main products comprise IC,Modules,Potentiometer,IC Socket,Relay,Connector.Our parts cover such applications as commercial,industrial, and automotives areas.

We are looking forward to setting up business relationship with you and hope to provide you with the best service and solution. Let us make a better world for our industry!



Contact us

Tel: +86-755-8981 8866 Fax: +86-755-8427 6832

Email & Skype: info@chipsmall.com Web: www.chipsmall.com

Address: A1208, Overseas Decoration Building, #122 Zhenhua RD., Futian, Shenzhen, China

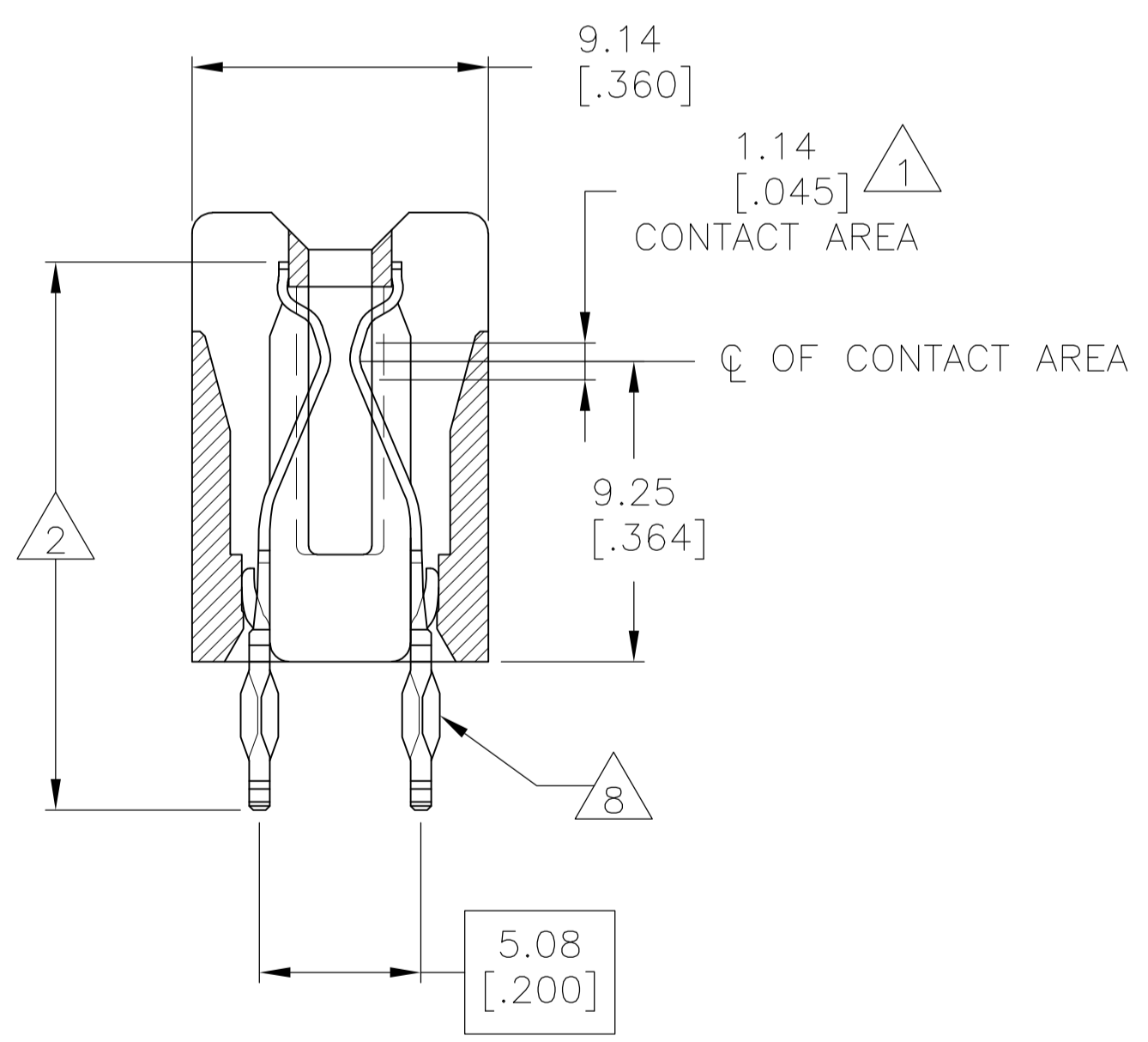
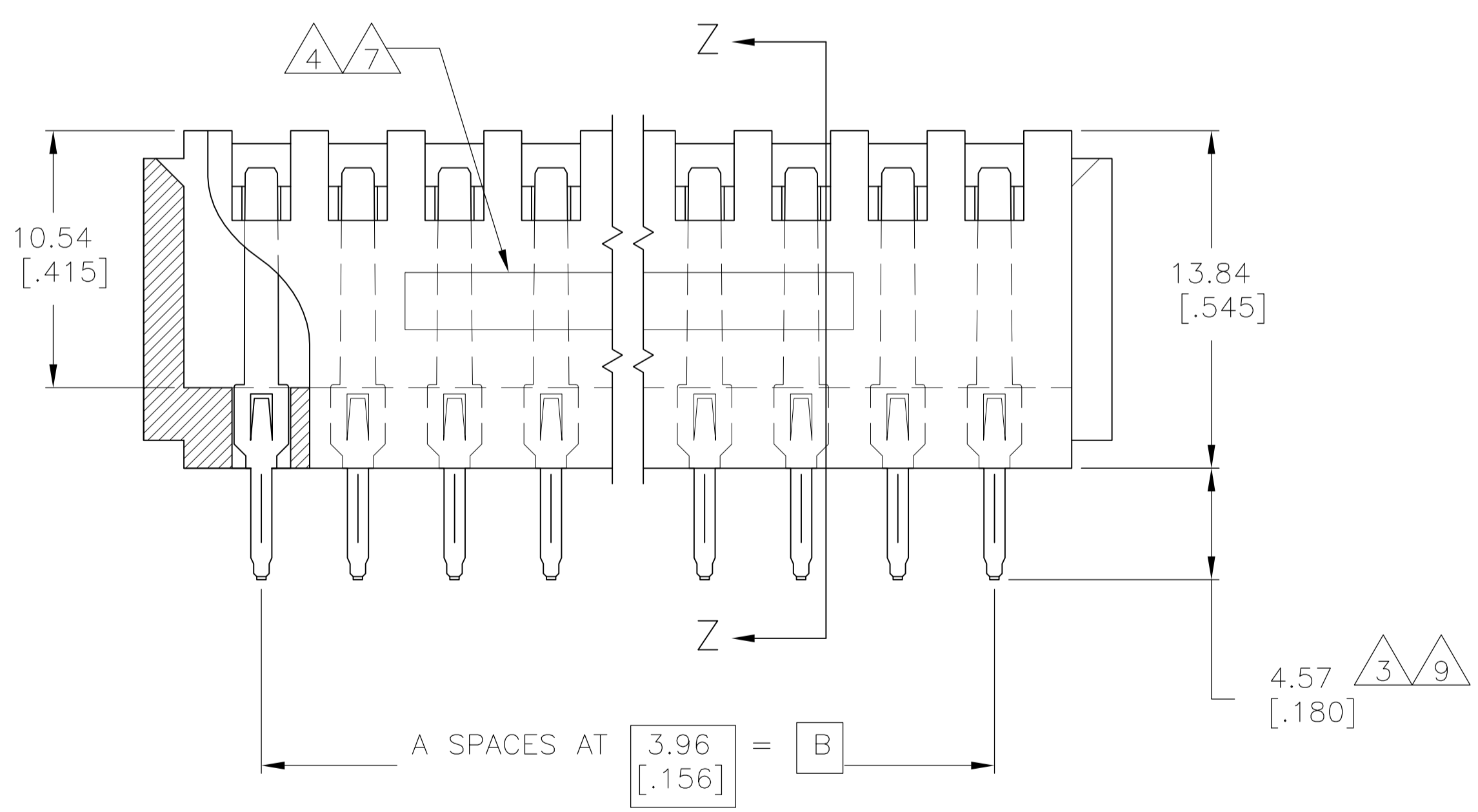
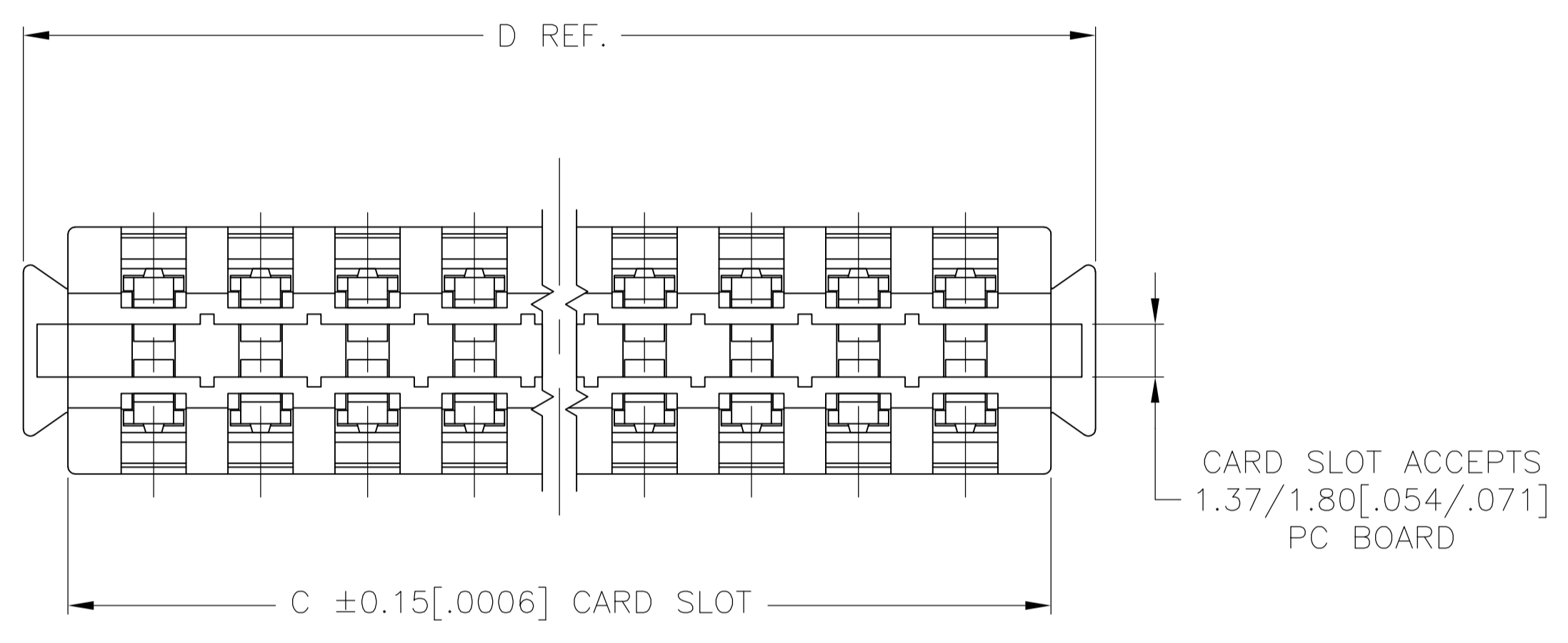


LOC		DIST		REVISIONS			
P	LTR	DESCRIPTION	DATE	DMN	APVD		
H		REVISED PER EC 0G3C-0205-05	27FEB06	SSK	MM		
H1		REVISED PER ECO-09-021826	02SEP09	KK	AEG		

- 1 GOLD PLATE .00076 [.000030] MIN. THICK.
- 2 NICKEL PL. .00127[.000050] MIN. THK. PER QQ-N-290
- 3 SOLDER PL. .00254[.000100] MIN. THK.
- 4 STAMPED P/N & DATE CODE.
- 5. OPTIONAL: KEYING PLUG FOR INTERCONTACT KEYING IS 118982-1
- 6. OPTIONAL: CARD GUIDE (BASE NO 117169)
- 7 ALL PARTS ASSEMBLED IN MEXICO MUST BE STAMPED "ASSY IN MEXICO". THE WORD "MEXICO" CAN BE SUBSTITUTED ONLY WHERE PART SIZE PROHIBITS STAMPING "ASSY IN MEXICO", INK COLOR WHITE PER 115-9009, APPROX WHERE SHOWN, SIDE OPTIONAL.
- 8 ACTION PIN REQUIRES 2.13[.084] MIN. THK. PC BOARD.

REQ'D DRILL SIZE	HOLE DIA ±.03[.001]	PLATING THICKNESS		HOLE DIAMETER		COPPER HARDNESS (KNOOP)	PAD DIA MIN.
		COPPER	TIN/LEAD	AFTER PLATING	AFTER REFLOW		
1.15mm	1.15 [.0453]	0.03-0.08 [.001-.003]	0.008 MIN. [.0003] MIN.	0.94-1.09 [.037-.043]	0.914-1.09 [.0036-.043]	150 MAX	1.57 [.062]
1.15mm	1.15 [.0453]	NOT PLATED THRU					1.65 [.065]

- 9 MATTE TIN PL. .00254[.000100] MIN. THK.
- 10 OBSOLETE PARTS: OBSOLETE CIS STREAMLINING PER D.RENAUD/D.SINISI



9/10 OBSOLETE	177.65 [6.994]	174.35 [6.864]	166.42 [6.552]	42	43	7-119790-9
9/10 OBSOLETE	118.21 [4.654]	114.91 [4.524]	106.98 [4.212]	27	28	6-119790-4
9/10 OBSOLETE	94.44 [3.718]	91.13 [3.588]	83.21 [3.276]	21	22	5-119790-8
9/10 OBSOLETE	66.70 [2.626]	63.40 [2.496]	55.47 [2.184]	14	15	5-119790-1
9/10 OBSOLETE	177.65 [6.994]	174.35 [6.864]	166.42 [6.552]	42	43	2-119790-9
OBSOLETE	-	-	-	-	-	2-119790-8
OBSOLETE	-	-	-	-	-	2-119790-7
OBSOLETE	-	-	-	-	-	2-119790-6
OBSOLETE	-	-	-	-	-	2-119790-5
OBSOLETE	-	-	-	-	-	2-119790-4
OBSOLETE	-	-	-	-	-	2-119790-3
OBSOLETE	149.91 [5.702]	146.61 [5.772]	138.68 [5.468]	35	36	2-119790-2
OBSOLETE	-	-	-	-	-	2-119790-1
OBSOLETE	-	-	-	-	-	1-119790-9
OBSOLETE	-	-	-	-	-	1-119790-8
OBSOLETE	-	-	-	-	-	1-119790-7
OBSOLETE	-	-	-	-	-	1-119790-6
OBSOLETE	-	-	-	-	-	1-119790-5
OBSOLETE	118.21 [4.654]	114.91 [4.524]	106.98 [4.212]	27	28	1-119790-4
OBSOLETE	114.25 [4.498]	110.95 [4.368]	103.02 [4.056]	26	27	1-119790-3
OBSOLETE	-	-	-	-	-	1-119790-2
OBSOLETE	-	-	-	-	-	1-119790-1
OBSOLETE	102.36 [4.030]	99.06 [3.900]	91.13 [3.588]	23	24	1-119790-0
OBSOLETE	-	-	-	-	-	119790-9
OBSOLETE	94.44 [3.718]	91.13 [3.588]	83.21 [3.276]	21	22	119790-8
OBSOLETE	-	-	-	-	-	119790-7
OBSOLETE	-	-	-	-	-	119790-6
OBSOLETE	-	-	-	-	-	119790-5
OBSOLETE	-	-	-	-	-	119790-4
OBSOLETE	-	-	-	-	-	119790-3
OBSOLETE	-	-	-	-	-	119790-2
10 OBSOLETE	66.70 [2.626]	63.40 [2.496]	55.47 [2.184]	14	15	119790-1

THIS DRAWING IS A CONTROLLED DOCUMENT. DIMENSIONS: mm [INCHES]. TOLERANCES UNLESS OTHERWISE SPECIFIED: 0 PLC ± -, 1 PLC ± -, 2 PLC ± -, 3 PLC ± 0.25[.010], 4 PLC ± -, ANGLES ± -.

APPROVED: R.L. LEHR 10-FEB-93, H. ROSE 7/8/94. Tyco Electronics Corporation, Harrisburg, Pa 17105-3608. CONNECTOR, AMP PACE .156 X .200.

SIZE: A1. CAGE CODE: 00779. DRAWING NO: 119790. WEIGHT: -. RESTRICTED TO: -. SCALE: 4:1. SHEET: 1 OF 1. REV: H1.