



Chipsmall Limited consists of a professional team with an average of over 10 year of expertise in the distribution of electronic components. Based in Hongkong, we have already established firm and mutual-benefit business relationships with customers from,Europe,America and south Asia,supplying obsolete and hard-to-find components to meet their specific needs.

With the principle of "Quality Parts,Customers Priority,Honest Operation,and Considerate Service",our business mainly focus on the distribution of electronic components. Line cards we deal with include Microchip,ALPS,ROHM,Xilinx,Pulse,ON,Everlight and Freescale. Main products comprise IC,Modules,Potentiometer,IC Socket,Relay,Connector.Our parts cover such applications as commercial,industrial, and automotives areas.

We are looking forward to setting up business relationship with you and hope to provide you with the best service and solution. Let us make a better world for our industry!



Contact us

Tel: +86-755-8981 8866 Fax: +86-755-8427 6832

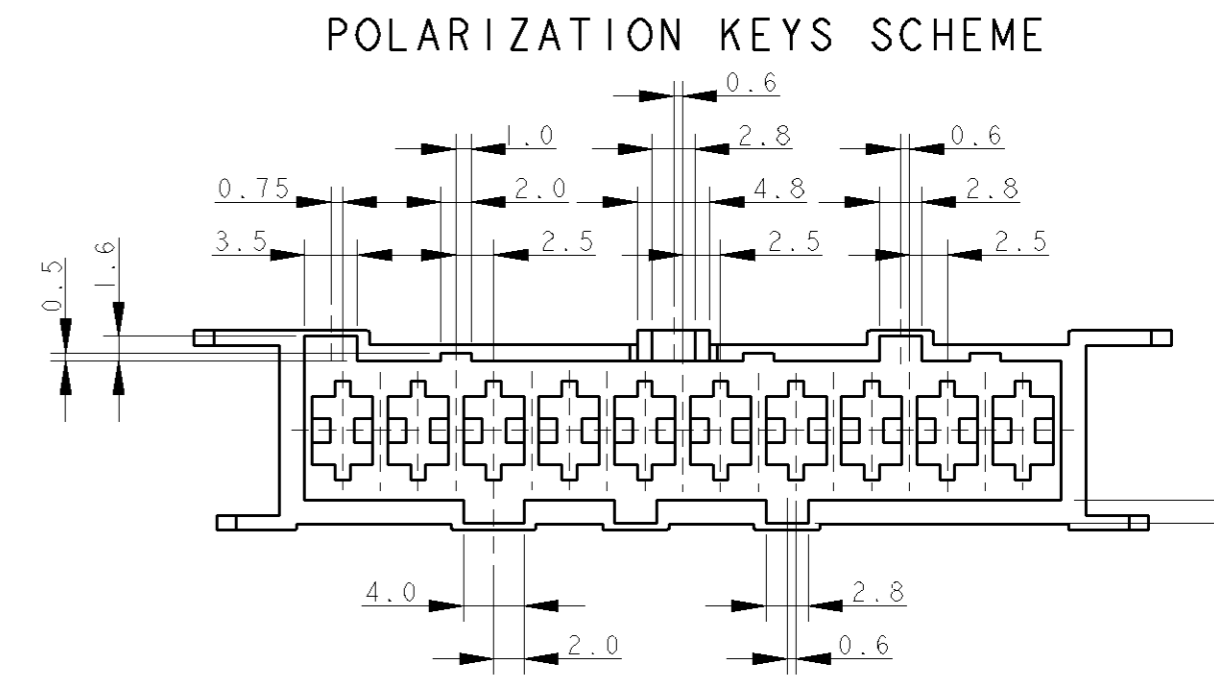
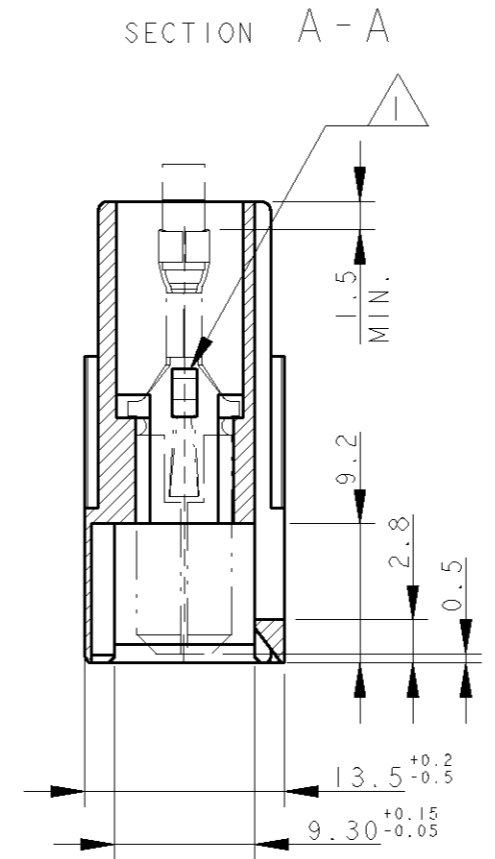
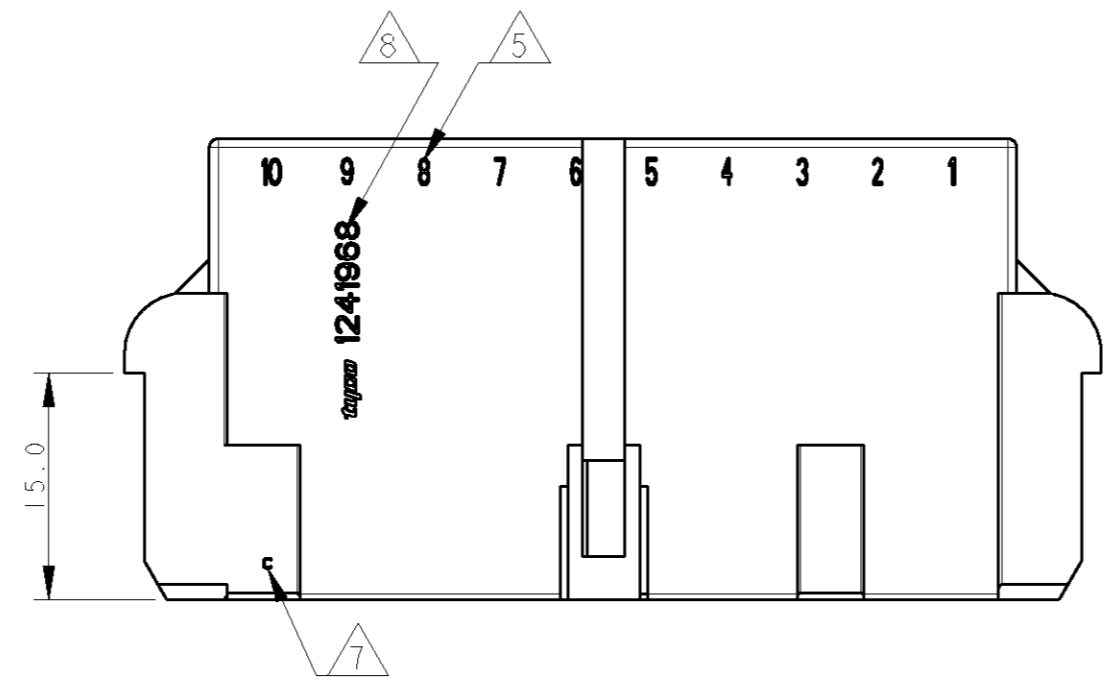
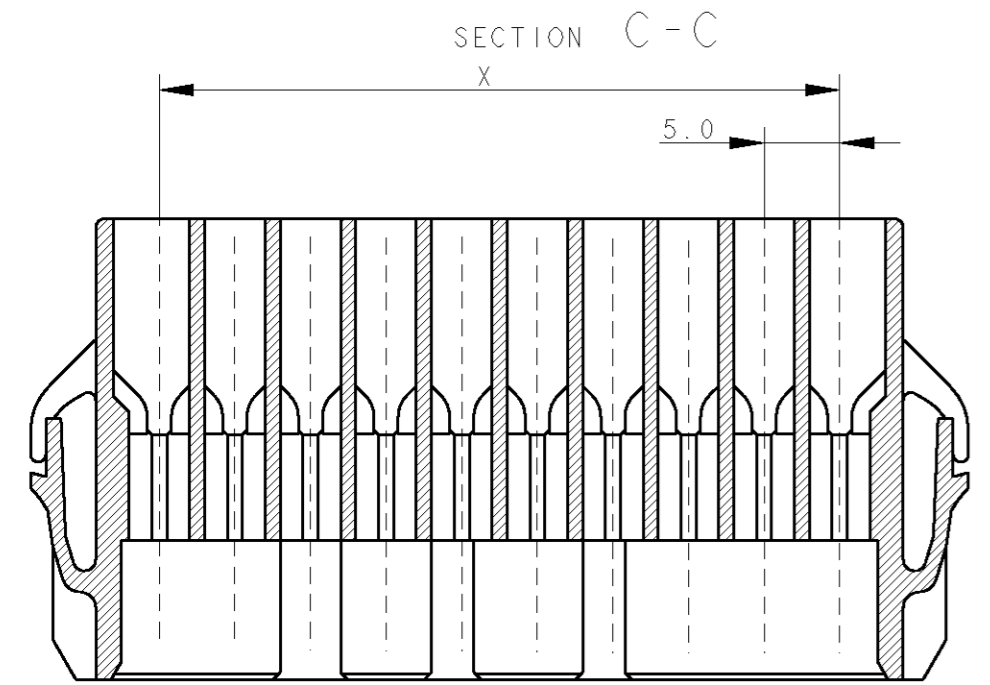
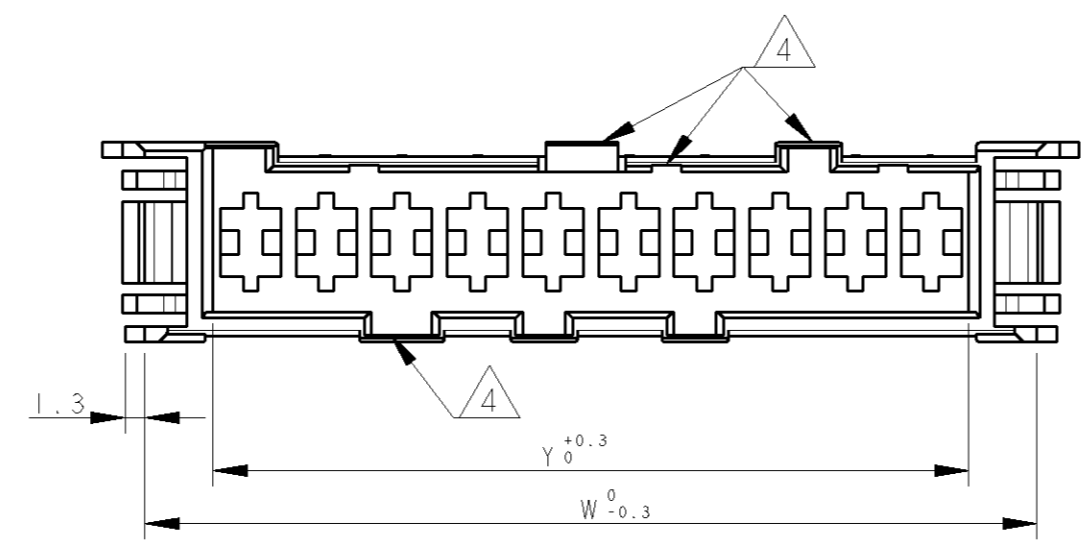
Email & Skype: info@chipsmall.com Web: www.chipsmall.com

Address: A1208, Overseas Decoration Building, #122 Zhenhua RD., Futian, Shenzhen, China

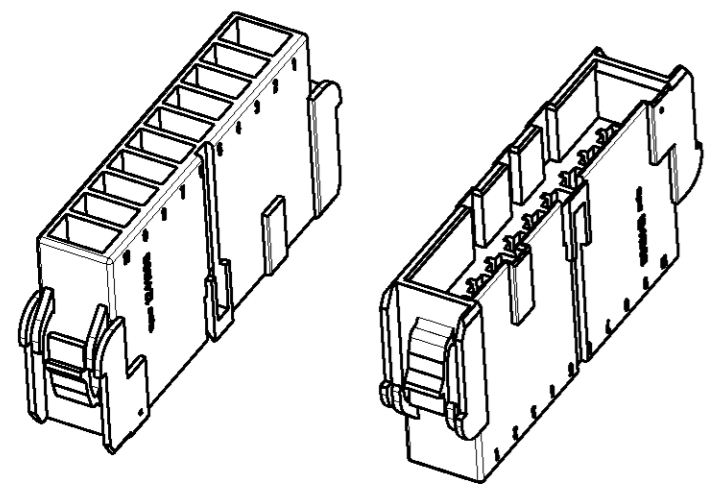


THIS DRAWING IS UNPUBLISHED. RELEASED FOR PUBLICATION 2003
 © COPYRIGHT 2003 BY TYCO ELECTRONICS CORPORATION. ALL RIGHTS RESERVED.

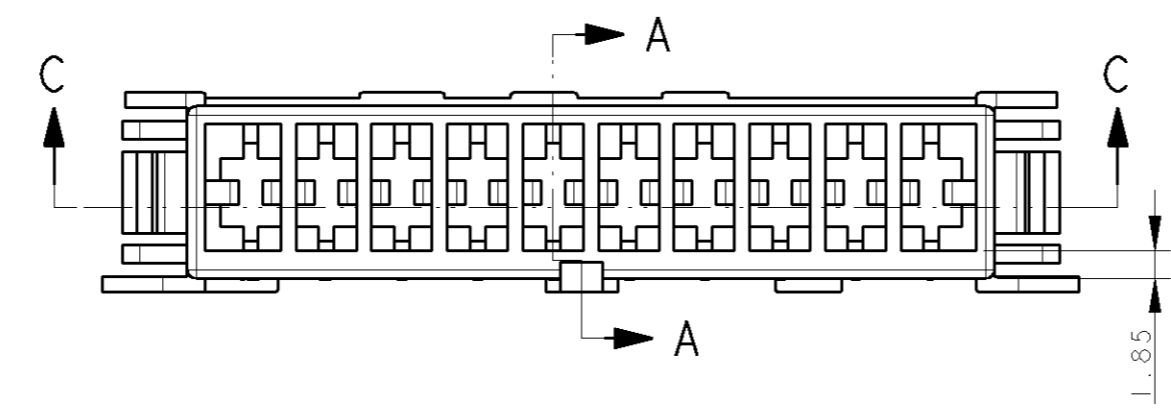
LOC		DIST		REVISIONS			
P	LTR	DESCRIPTION	DATE	DWN	APVD		
	B	REDRAWN, ECR-05-009400.	22AUG2005	HY	GT		



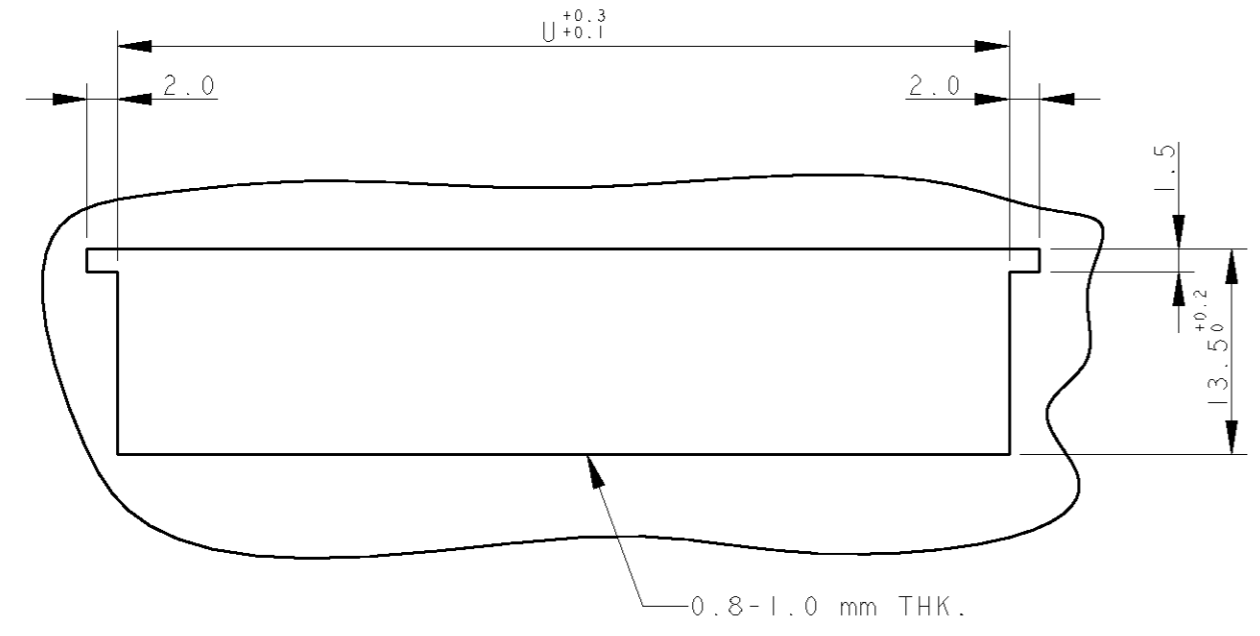
- 1 TYPICAL CAVITY SUITABLE FOR:
FASTIN-FASTON TAB CONTACTS 6.3 mm SRS:
P/N: 60294, 0.3-0.8 mm² WIRE RANGE
160691, 0.3-0.8 mm² WIRE RANGE
AMPLIVAR CONTACTS:
P/N: 141051, 0.1-0.5 mm² WIRE RANGE
142411, 0.3-1.6 mm² WIRE RANGE
MAX. INSULATION DIA. 2.8 mm,
MAX. INSULATION CRIMP WIDTH 3.3 mm.
- 2 TYCO TRADEMARK "LOGO" AND
TYCO ELECTRONICS "PART NUMBER"
OPTIONAL POSITION.
- 3 CIRCUIT IDENTIFICATION NUMBERS.
- 4 POLARIZATION KEYS DIMENSIONS AND POSITIONS
ARE ACCORDING TO "RAST 5" NORM
- 5 PA UNFILLED, UL 94-V2,
ACCORDING TO IEC 60335-1 NORM.
- 6 PA UNFILLED, UL 94-V2



SCALE 1:1



PANEL CUT DIMENSIONS



12	69.0	69.0	55.0	60.0	-	-	-	-	-
11	64.0	64.0	50.0	55.0	-	-	-	-	-
10	59.0	59.0	45.0	50.0	1-1241968-5	1-928344-0	SEE NOTE 5	NATUR	B
10	59.0	59.0	45.0	50.0	1-1241968-0	1-928344-0	SEE NOTE 6	NATUR	B
9	54.0	54.0	40.0	45.0	-	-	-	-	-
8	49.0	49.0	35.0	40.0	-	-	-	-	-
6	39.0	39.0	25.0	30.0	-	-	-	-	-
5	34.0	34.0	20.0	25.2	-	-	-	-	-
4	29.0	29.0	15.0	20.2	-	-	-	-	-
3	24.0	24.0	10.0	15.2	-	-	-	-	-
2	19.0	19.0	5.0	10.2	-	-	-	-	-
POS.	U	W	X	Y	P/N	STAND. TIMER	MATERIAL	COLOUR	REV.

PARTS LIST

THIS DRAWING IS A CONTROLLED DOCUMENT FOR TYCO ELECTRONICS CORPORATION IT IS SUBJECT TO CHANGE AND THE CONTROLLING ENGINEERING ORGANIZATION SHOULD BE CONTACTED FOR THE LATEST REVISION.		DWN H. YAALI 22AUG2005	tyco Electronics AMP Italia S.p.A. C.so F.lli Cervi, 15 COLLENO (TO)	
DIMENSIONS: mm	TOLERANCES UNLESS OTHERWISE SPECIFIED:	CHK G. TURCO	NAME 2-12 POS. FASTIN-FASTON* Connectors TAB HOUSING, RAST 5 PANEL MOUNT VERSION	
MATERIAL SEE TABLE	FINISH	APVD -	PRODUCT SPEC -	SIZE A2
		APPLICATION SPEC -	WEIGHT -	CAGE CODE 00779
		RESTRICTED TO -	CUSTOMER DRAWING	DRAWING NO. G-1241968
		SCALE 2:1	SHEET 1	OF 1
		REV B		