



Chipsmall Limited consists of a professional team with an average of over 10 year of expertise in the distribution of electronic components. Based in Hongkong, we have already established firm and mutual-benefit business relationships with customers from,Europe,America and south Asia,supplying obsolete and hard-to-find components to meet their specific needs.

With the principle of "Quality Parts,Customers Priority,Honest Operation,and Considerate Service",our business mainly focus on the distribution of electronic components. Line cards we deal with include Microchip,ALPS,ROHM,Xilinx,Pulse,ON,Everlight and Freescale. Main products comprise IC,Modules,Potentiometer,IC Socket,Relay,Connector.Our parts cover such applications as commercial,industrial, and automotives areas.

We are looking forward to setting up business relationship with you and hope to provide you with the best service and solution. Let us make a better world for our industry!



Contact us

Tel: +86-755-8981 8866 Fax: +86-755-8427 6832

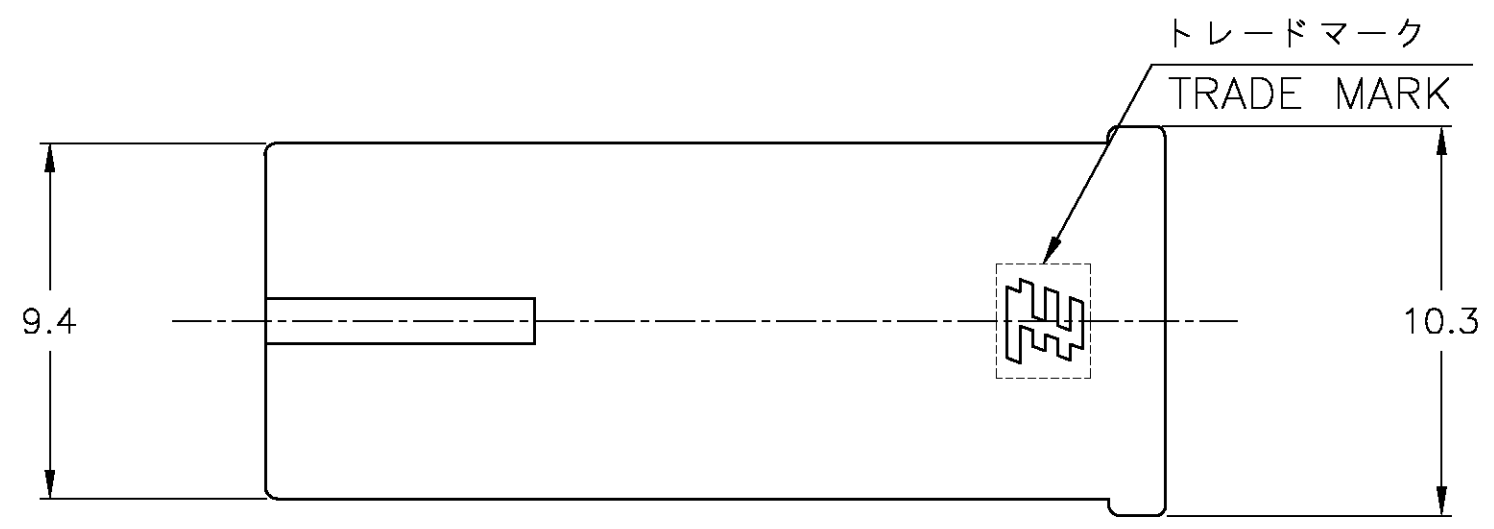
Email & Skype: info@chipsmall.com Web: www.chipsmall.com

Address: A1208, Overseas Decoration Building, #122 Zhenhua RD., Futian, Shenzhen, China

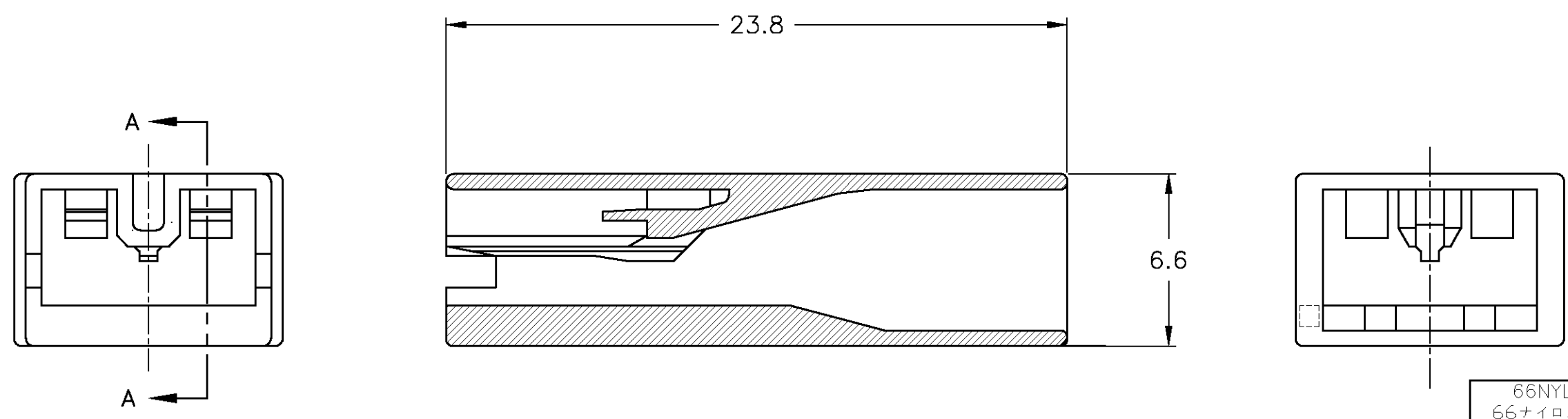


THIS DRAWING IS UNPUBLISHED. RELEASED FOR PUBLICATION JAN , 2002.
 © COPYRIGHT 2002 BY TYCO ELECTRONICS CORPORATION. ALL INTERNATIONAL RIGHTS RESERVED.

LOC	DIST	REVISIONS 変更			
P	LTR	DESCRIPTION	DATE	DWN	APVD
	E	REVISED ECR-10-010452	28MAY2010	T.T	T.M
	F	REVISED, ECR-10-007304	03AUG2010	Y.O	N.Y



- 1 適用製品規格: 108-5437
- 2 適用コンタクト型番:
179973-X, 179974-X, 179975-X
- 3 取扱説明書: 411-5691
- ⚠ 推奨電線径: AWG#18以上, 被覆外径2.8mm以上
より細い電線をご使用の場合は、電線が変形しないように
コンタクト装着の作業方法をご確認ください



MATERIAL 材料	COLOR 色調	PART NUMBER 型番
66NYLON UL5VA 66ナイロン UL5VA相当	BLUE 青色	⚠1-1318954-6
66NYLON UL5VA 66ナイロン UL5VA相当	NATURAL 自然色	⚠1-1318954-1
66NYLON UL94V-0 66ナイロン UL94V-0	BLUE 青色	1318954-6
66NYLON UL94V-0 66ナイロン UL94V-0	NATURAL 自然色	1318954-1

- 1 PRODUCT SPEC: 108-5437
- 2 APPLICABLE CONTACT:
179973-X, 179974-X, 179975-X
- 3 INSTRUCTION SHEET: 411-5691
- ⚠ RECOMMENDED WIRE
AWG: #18 OR THICKER
INSULATION DIAMETER: 2.8mm OR THICKER
IN THE CASE THAT ABOVE WIRE IS NOT USED,
PLEASE CONSIDER HOW TO INSERT CONTACT INTO HOUSING
WITHOUT WIRE DEFORMATION

THIS DRAWING IS A CONTROLLED DOCUMENT.		DWN T.HATANO 15JAN2002	Tyco Electronics Corporation Kawasaki, Japan	
DIMENSIONS: 単位: 耗 mm		CHK A.OISHI 15JAN2002		
TOLERANCES UNLESS OTHERWISE SPECIFIED: 一般公差		APVD M.SHINDO 15JAN2002	NAME 名称 250 SERIES POSITIVE LOCK EX-II 1 POS REC HOUSING SHROUD TYPE "250" シリーズ ポジティブロック EX-II 1極 リセハウジング シュラウドタイプ	
MATERIAL 材料 SEE TABLE		PRODUCT SPEC 製品規格 SEE NOTE	SIZE A3	CAGE CODE 00779
FINISH 仕上		APPLICATION SPEC 取付適用規格	DRAWING NO 番号 C-1318954	RESTRICTED TO
CUSTOMER DRAWING			SCALE 尺度 5:1	SHEET 1 OF 1
			REV F	