



Chipsmall Limited consists of a professional team with an average of over 10 year of expertise in the distribution of electronic components. Based in Hongkong, we have already established firm and mutual-benefit business relationships with customers from,Europe,America and south Asia,supplying obsolete and hard-to-find components to meet their specific needs.

With the principle of “Quality Parts,Customers Priority,Honest Operation,and Considerate Service”,our business mainly focus on the distribution of electronic components. Line cards we deal with include Microchip,ALPS,ROHM,Xilinx,Pulse,ON,Everlight and Freescale. Main products comprise IC,Modules,Potentiometer,IC Socket,Relay,Connector.Our parts cover such applications as commercial,industrial, and automotives areas.

We are looking forward to setting up business relationship with you and hope to provide you with the best service and solution. Let us make a better world for our industry!



## Contact us

Tel: +86-755-8981 8866 Fax: +86-755-8427 6832

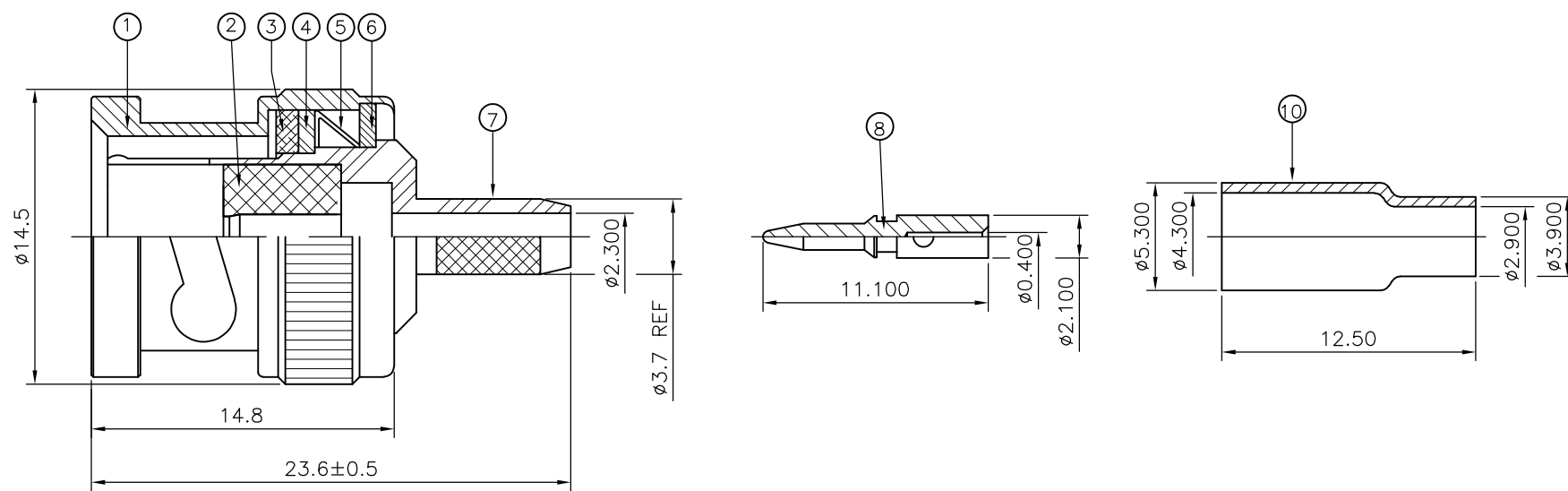
Email & Skype: info@chipsmall.com Web: www.chipsmall.com

Address: A1208, Overseas Decoration Building, #122 Zhenhua RD., Futian, Shenzhen, China

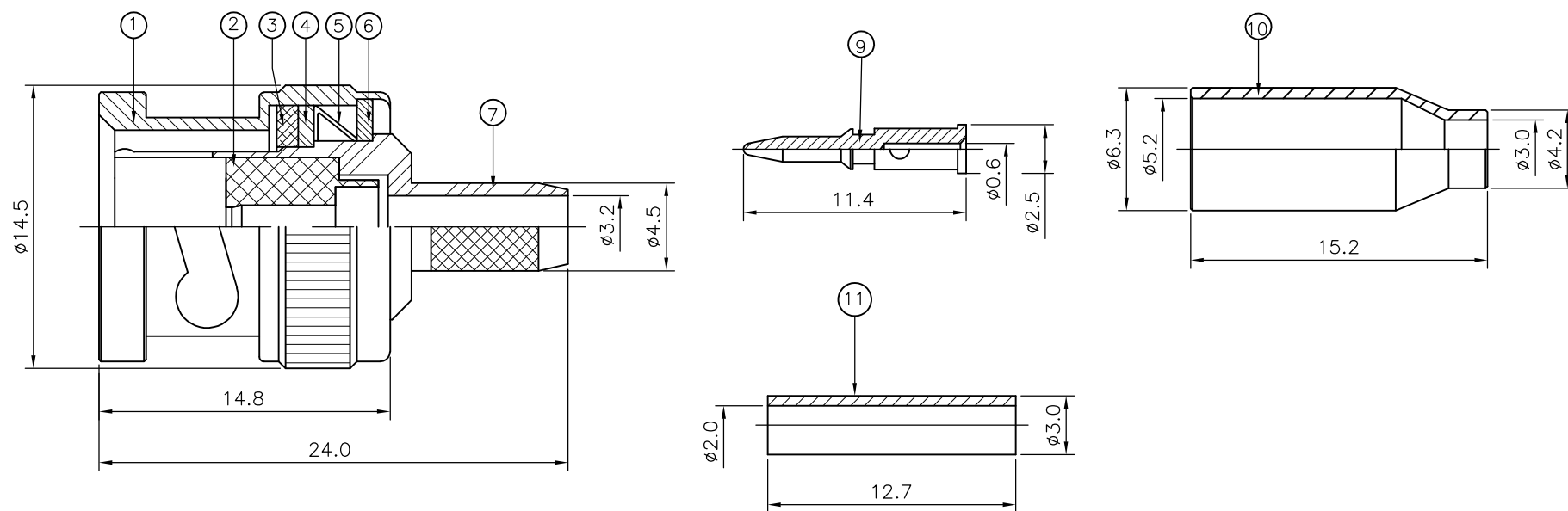


LOC	DIST	REVISIONS					
E	B	P	LTR	DESCRIPTION	DATE	DWN	APVD
		D		ECO-09-017262	28JULY09	RITA	BOB

1-1337431-0/6-1337431-0



1-1337431-1/6-1337431-1



NOTES:

- ① SINGLE PACK IN ACCORDANCE WITH AMP SPEC 107-3275
- ② 100 TRAY PACK IN ACCORDANCE WITH AMP SPEC 107-3275
- ③ FLASH Au PLATING
- ④ 0.76µm Au PLATING
- ⑤ Ni PLATING
- ⑥ THIS ITEM MUST BE WHITE
- 7. HAND TOOL : 9-1478240-0
- 8. DIE SET : 9-1478242-0
- 9. ELECTRICAL CHARACTERISTICS
 

FREQUENCY RANGE:	DC - 2 GHz
NOMINAL IMPEDANCE:	75 Ohm
INSULATION RESISTANCE:	5000 MOhm
WORKING VOLTAGE:	500 Volts RMS at Sea Level
DIELECTRIC WITHSTAND VOLTAGE:	1500 Volts RMS Max
CONTACT RESISTANCE:	
CENTRE CONTACT:	1.50 mOhm Max
OUTER CONTACT:	0.20 mOhm Max
VSWR @ 4GHz:	1.20:1 Max
INSERTION LOSS dB @ x 3 GHz:	0.20 Max
- 10. MECHANICAL CHARACTERISTICS
 

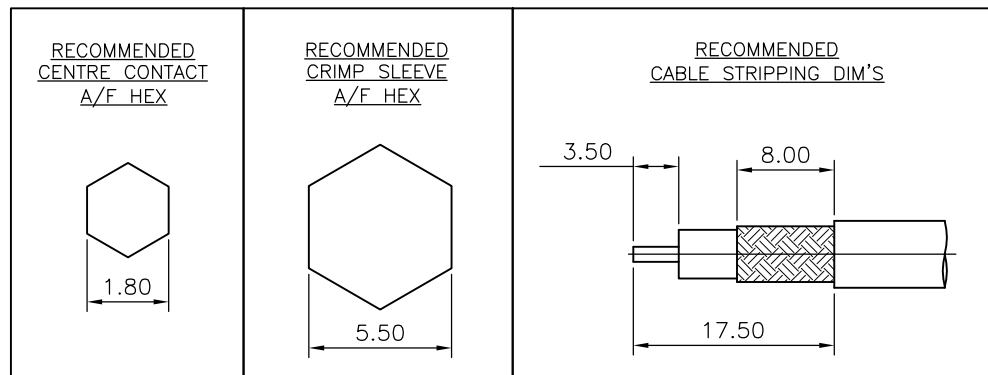
COUPLING NUT RETENTION FORCE:	445N Min
CABLE RETENTION FORCE:	85N Min
DURABILITY:	500 Cycles Min
- 11. ENVIRONMENTAL CHARACTERISTICS
 

OPERATING TEMPERATURE:	-65 to +165 DegC
------------------------	------------------

QTY	REV	QTY	REV	MATERIAL	DESCRIPTION	ITEM
1	1	-	-	PTFE	PUSHER SLEEVE	11
1	1	1	1	BRASS	⑤ FERRULE	10
1	1	-	-	BRASS	④ CONTACT	9
-	-	1	1	BRASS	③ CONTACT	8
1	1	1	1	BRASS	⑥ BODY	7
1	1	1	1	BRASS	⑦ WASHER	6
1	1	1	1	SPRING STEEL	SPRING	5
1	1	1	1	BRASS	⑤ WASHER	4
1	1	1	1	SILICON RUBBER	⑥ GASKET	3
1	1	1	1	PTFE	INSULATION	2
1	1	1	1	BRASS	⑤ SHELL	1

QTY	REV	QTY	REV	MATERIAL	DESCRIPTION	ITEM
6--1	1--1	6--0	1--0			

QUANTITY PER ASSY		PARTS LIST	
<p>THIS DRAWING IS A CONTROLLED DOCUMENT.</p> <p>DWN J.SANDWELL 12SEPT05 CHK S.PARLOW 12SEPT05 APVD F.WHEELER-KING 12SEPT05</p> <p>PRODUCT SPEC 108-3435 APPLICATION SPEC 411-3247</p> <p>WEIGHT -</p>			
<p>Tyco Electronics Corporation Bideford, UK, EX39 4HE</p>		<p>BNC STRAIGHT PLUG CRIMP 75 OHM RG179B/U, 187A/U, TM3289 &amp; URM 111</p>	
SIZE	CAGE CODE	DRAWING NO	RESTRICTED TO
A3	00779	C-1337431	-
CUSTOMER DRAWING		SCALE	SHEET 1 OF 1 REV D
		NTS	



DIMENSIONS: mm		TOLERANCES UNLESS OTHERWISE SPECIFIED:	
	0 PLC ± -	1 PLC ± 0.3	
	2 PLC ± 0.2	3 PLC ± 0.1	
	4 PLC ± -	ANGLES ± 5'	
MATERIAL	FINISH		
SEE TABLE	SEE TABLE		