



Chipsmall Limited consists of a professional team with an average of over 10 year of expertise in the distribution of electronic components. Based in Hongkong, we have already established firm and mutual-benefit business relationships with customers from,Europe,America and south Asia,supplying obsolete and hard-to-find components to meet their specific needs.

With the principle of "Quality Parts,Customers Priority,Honest Operation,and Considerate Service",our business mainly focus on the distribution of electronic components. Line cards we deal with include Microchip,ALPS,ROHM,Xilinx,Pulse,ON,Everlight and Freescale. Main products comprise IC,Modules,Potentiometer,IC Socket,Relay,Connector.Our parts cover such applications as commercial,industrial, and automotives areas.

We are looking forward to setting up business relationship with you and hope to provide you with the best service and solution. Let us make a better world for our industry!



Contact us

Tel: +86-755-8981 8866 Fax: +86-755-8427 6832

Email & Skype: info@chipsmall.com Web: www.chipsmall.com

Address: A1208, Overseas Decoration Building, #122 Zhenhua RD., Futian, Shenzhen, China



THIS DRAWING IS UNPUBLISHED. RELEASED FOR PUBLICATION NOV , 2005.
 © COPYRIGHT 2005 BY TYCO ELECTRONICS CORPORATION. ALL RIGHTS RESERVED.

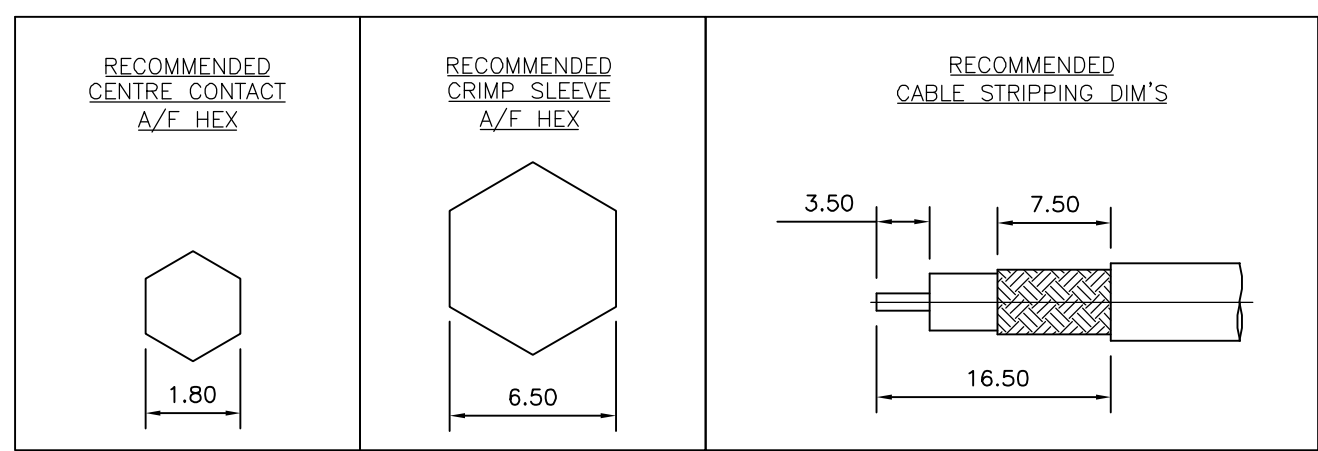
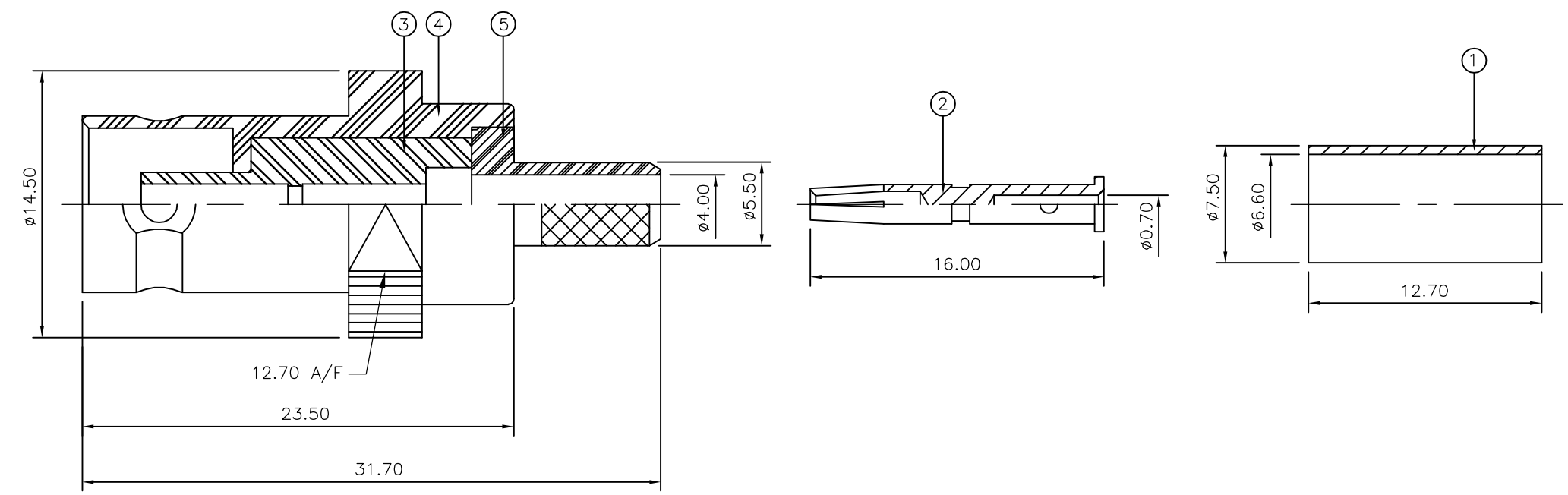
| LOC | DIST | REVISIONS | | | | | |
|-----|------|-----------|-----|---------------|---------|-----|------|
| E | B | P | LTR | DESCRIPTION | DATE | DWN | APVD |
| | | C | | ECR-05-016219 | 24NOV05 | JMS | FWK |

- NOTES:**
- ① PACK IN ACCORDANCE WITH AMP SPEC 107-3275
 - ② 100 TRAY PACK IN ACCORDANCE WITH AMP SPEC 107-3275
 - ③ Au PLATING
 - ④ Ni PLATING
 - 5 HAND TOOL : 9-1478240-0
 - 6 DIE SET : 9-1478242-0
 - 7 ELECTRICAL CHARACTERISTICS

| | |
|-------------------------------|----------------------------|
| FREQUENCY RANGE: | DC - 2 GHz |
| NOMINAL IMPEDANCE: | 75 Ohm |
| INSULATION RESISTANCE: | 5000 MOhm |
| WORKING VOLTAGE: | 500 Volts RMS at Sea Level |
| DIELECTRIC WITHSTAND VOLTAGE: | 1500 Volts RMS Max |
| CONTACT RESISTANCE: | |
| CENTRE CONTACT: | 1.50 mOhm Max |
| OUTER CONTACT: | 0.20 mOhm Max |
| VSWR @ 2GHz: | 1.20:1 Max |
| INSERTION LOSS dB @ x 2 GHz: | 0.20 Max |
 - 8 MECHANICAL CHARACTERISTICS

| | |
|---------------------------|----------------|
| COUPLING RETENTION FORCE: | N/A |
| CABLE RETENTION FORCE: | 170N Min |
| DURABILITY: | 500 Cycles Min |
 - 9 ENVIRONMENTAL CHARACTERISTICS

| | |
|------------------------|------------------|
| OPERATING TEMPERATURE: | -65 to +165 DegC |
|------------------------|------------------|



| QTY | UNIT | MATERIAL | DESCRIPTION | ITEM |
|------|------|----------|-------------|------|
| 1 | 1 | BRASS | CHASSIS | 5 |
| 1 | 1 | BRASS | BODY | 4 |
| 1 | 1 | PTFE | INSULATION | 3 |
| 1 | 1 | BRASS | CONTACT | 2 |
| 1 | 1 | BRASS | FERRULE | 1 |
| 6--0 | 1--0 | MATERIAL | DESCRIPTION | ITEM |

| | | | | | |
|-----------------------------------------------------------------------------------------|--|-----------------------------|--|-------------------------------------------------------------|----------------------|
| THIS DRAWING IS A CONTROLLED DOCUMENT. | | DWN J.SANDWELL 24NOV05 | | Tyco Electronics Corporation Bideford EX39 4HE | |
| DIMENSIONS: mm | | CHK S.PARLOW 24NOV05 | | | |
| TOLERANCES UNLESS OTHERWISE SPECIFIED: | | APVD F.WHEELER-KING 24NOV05 | | NAME | |
| 0 PLC ± - 1 PLC ± - 2 PLC ± - 3 PLC ± - 4 PLC ± - ANGLES ± - FINISH - | | PRODUCT SPEC 108-3435 | | BNC STRAIGHT JACK CRIMP 75 OHM | |
| MATERIAL SEE TABLE | | APPLICATION SPEC 411-3247 | | RG59B/U, 62A/U, 140/U, 210/U, URM90, KX6A, KX25, KX52, KX53 | |
| | | WEIGHT - | | SIZE A3 | RESTRICTED TO - |
| | | CUSTOMER DRAWING | | CAGE CODE 00779 | DRAWING NO C-1337443 |
| | | SCALE NTS | | SHEET 1 OF 1 | REV C |