



Chipsmall Limited consists of a professional team with an average of over 10 year of expertise in the distribution of electronic components. Based in Hongkong, we have already established firm and mutual-benefit business relationships with customers from,Europe,America and south Asia,supplying obsolete and hard-to-find components to meet their specific needs.

With the principle of “Quality Parts,Customers Priority,Honest Operation,and Considerate Service”,our business mainly focus on the distribution of electronic components. Line cards we deal with include Microchip,ALPS,ROHM,Xilinx,Pulse,ON,Everlight and Freescale. Main products comprise IC,Modules,Potentiometer,IC Socket,Relay,Connector.Our parts cover such applications as commercial,industrial, and automotives areas.

We are looking forward to setting up business relationship with you and hope to provide you with the best service and solution. Let us make a better world for our industry!



## Contact us

Tel: +86-755-8981 8866 Fax: +86-755-8427 6832

Email & Skype: info@chipsmall.com Web: www.chipsmall.com

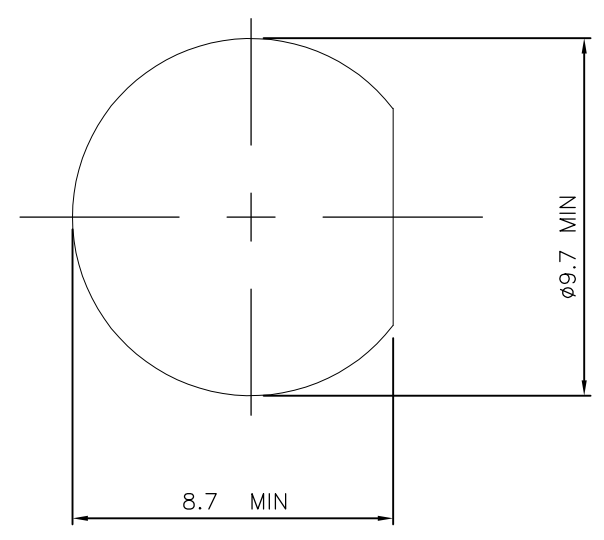
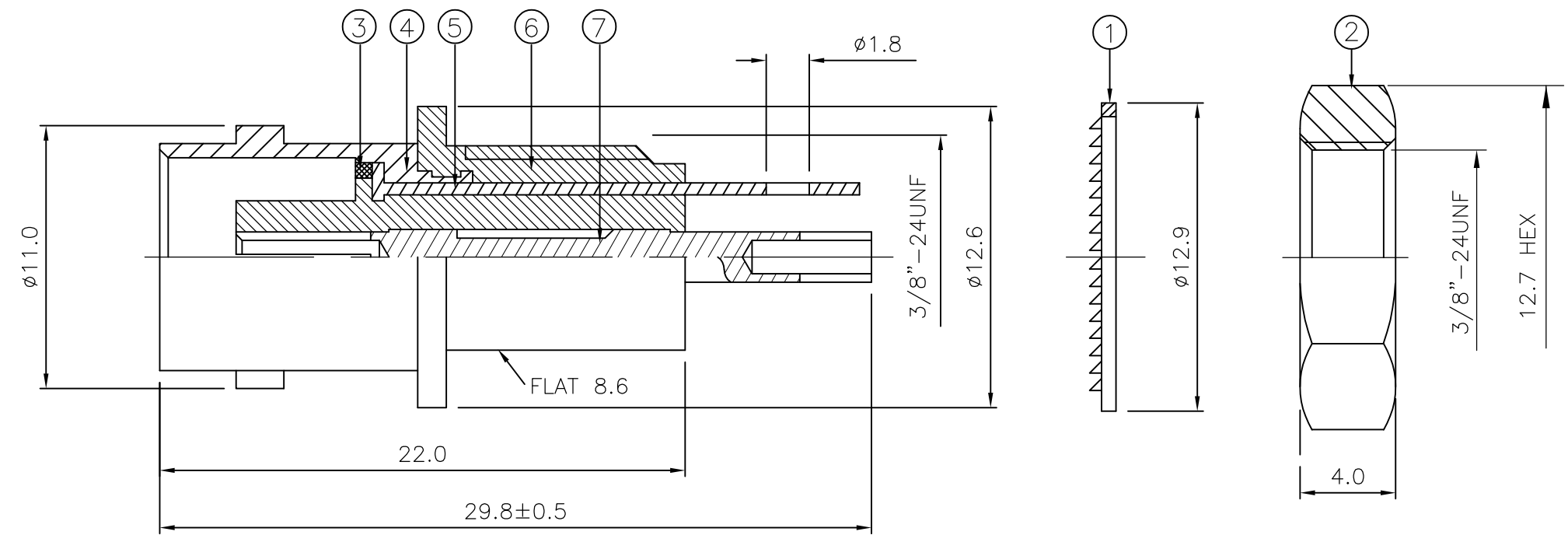
Address: A1208, Overseas Decoration Building, #122 Zhenhua RD., Futian, Shenzhen, China



THIS DRAWING IS UNPUBLISHED. RELEASED FOR PUBLICATION DEC ,2005.  
 © COPYRIGHT 2005 By - ALL RIGHTS RESERVED.

LOC	DIST	REVISIONS			
P	LTR	DESCRIPTION	DATE	DWN	APVD
E	B	C	ECR-05-017969	13DEC05	JMS FWK
		D	ECO-11-010041	16MAY2011	TITAN MARTIN


- NOTES:**
- ① PACK IN ACCORDANCE WITH AMP SPEC 107-3275
  - ② 100 TRAY PACK IN ACCORDANCE WITH AMP SPEC 107-3275
  - ③ Au PLATING
  - ④ Ni PLATING
  - ⑤ Sn PLATING
- 6 ELECTRICAL CHARACTERISTICS  
 FREQUENCY RANGE: DC - 4 GHz  
 NOMINAL IMPEDANCE: 50 Ohms  
 INSULATION RESISTANCE: 5000 MOhms Min.  
 WORKING VOLTAGE: 500 Volts RMS at Sea Level  
 DIELECTRIC WITHSTAND VOLTAGE: 1500 Volts RMS Max  
 CONTACT RESISTANCE:  
 CENTRE CONTACT: 1.50 mOhms Max  
 OUTER CONTACT: 1.0 mOhms Max  
 VSWR @ xGHz: 1.3 MAX. @1 GHz  
 INSERTION LOSS xdb: 0.2 dB MAX. @1 GHz
- 7 MECHANICAL CHARACTERISTICS  
 INTERFACE IN ACCORDANCE WITH: MIL-STD-348A  
 DURABILITY: 500 MATINGS
- 8 ENVIRONMENTAL CHARACTERISTICS  
 OPERATING TEMPERATURE: -40 to +60 DegC



MOUNTING HOLE

QTY	QTY	MATERIAL	NOTE	DESCRIPTION	ITEM
1	1	BRASS	③	CENTER CONTACT	7
1	1	ABS		BODY I	6
1	1	BRASS	⑤	GROUNDING TAB	5
1	1	BRASS	④	BODY II	4
1	1	BRASS	④	WASHER	3
1	1	BRASS	④	NUT	2
1	1	STEEL	④	WASHER	1
6--0	1--0	MATERIAL		DESCRIPTION	ITEM
③	④				

THIS DRAWING IS A CONTROLLED DOCUMENT.		DWN	J.SANDWELL	13DEC05
DIMENSIONS: mm		CHK	S.PARLOW	13DEC05
TOLERANCES UNLESS OTHERWISE SPECIFIED:		APVD	F.WHEELER-KING	13DEC05
0 PLC	± -	PRODUCT SPEC		
1 PLC	± 0.2	APPLICATION SPEC		
2 PLC	± 0.1	WEIGHT -		
3 PLC	± 0.05	CUSTOMER DRAWING		
4 PLC	± -	SCALE NTS		
ANGLES	± 5'	SHEET 1 OF 1		
MATERIAL SEE TABLE	FINISH SEE TABLE	REV D		



TE Connectivity

**BNC INSULATED BULKHEAD SOCKET  
FRONT MOUNT 50 OHM**

NAME	SIZE	CAGE CODE	DRAWING NO	RESTRICTED TO
	A3	00779	C-1337452	-