



Chipsmall Limited consists of a professional team with an average of over 10 year of expertise in the distribution of electronic components. Based in Hongkong, we have already established firm and mutual-benefit business relationships with customers from,Europe,America and south Asia,supplying obsolete and hard-to-find components to meet their specific needs.

With the principle of “Quality Parts,Customers Priority,Honest Operation,and Considerate Service”,our business mainly focus on the distribution of electronic components. Line cards we deal with include Microchip,ALPS,ROHM,Xilinx,Pulse,ON,Everlight and Freescale. Main products comprise IC,Modules,Potentiometer,IC Socket,Relay,Connector.Our parts cover such applications as commercial,industrial, and automotives areas.

We are looking forward to setting up business relationship with you and hope to provide you with the best service and solution. Let us make a better world for our industry!



Contact us

Tel: +86-755-8981 8866 Fax: +86-755-8427 6832

Email & Skype: info@chipsmall.com Web: www.chipsmall.com

Address: A1208, Overseas Decoration Building, #122 Zhenhua RD., Futian, Shenzhen, China



THIS DRAWING IS UNPUBLISHED. RELEASED FOR PUBLICATION AUGUST, 2006.

© COPYRIGHT 2006 By - ALL RIGHTS RESERVED.

LOC	DIST	REVISIONS					
E	B	P	LTR	DESCRIPTION	DATE	DWN	APVD
			C1	REVISED PER ECO-11-005033	01APR11	RK	HMR

NOTES

1 SINGLE PACK IN ACCORDANCE WITH AMP SPEC 107-3275

2 50 TRAY PACK IN ACCORDANCE WITH AMP SPEC 107-3275

3 Au PLATING

4 Ni PLATING

5 HAND TOOL: 9-1478240-0

6 DIE SET: 9-1478248-0

7 ELECTRICAL CHARACTERISTICS

FREQUENCY RANGE:	DC - 2 GHz
NOMINAL IMPEDANCE:	50 Ohm
INSULATION RESISTANCE:	5000 MOhm
WORKING VOLTAGE:	100 Volts RMS at Sea Level
DIELECTRIC WITHSTAND VOLTAGE:	1000 Volts RMS Max
CONTACT RESISTANCE:	
CENTRE CONTACT:	10.00 mOhm Max
OUTER CONTACT:	5.00 mOhm Max
VSWR @ 1.8GHz:	1.30:1 Max
INSERTION LOSS dB @ x 1.8 GHz:	0.20 Max

8 MECHANICAL CHARACTERISTICS

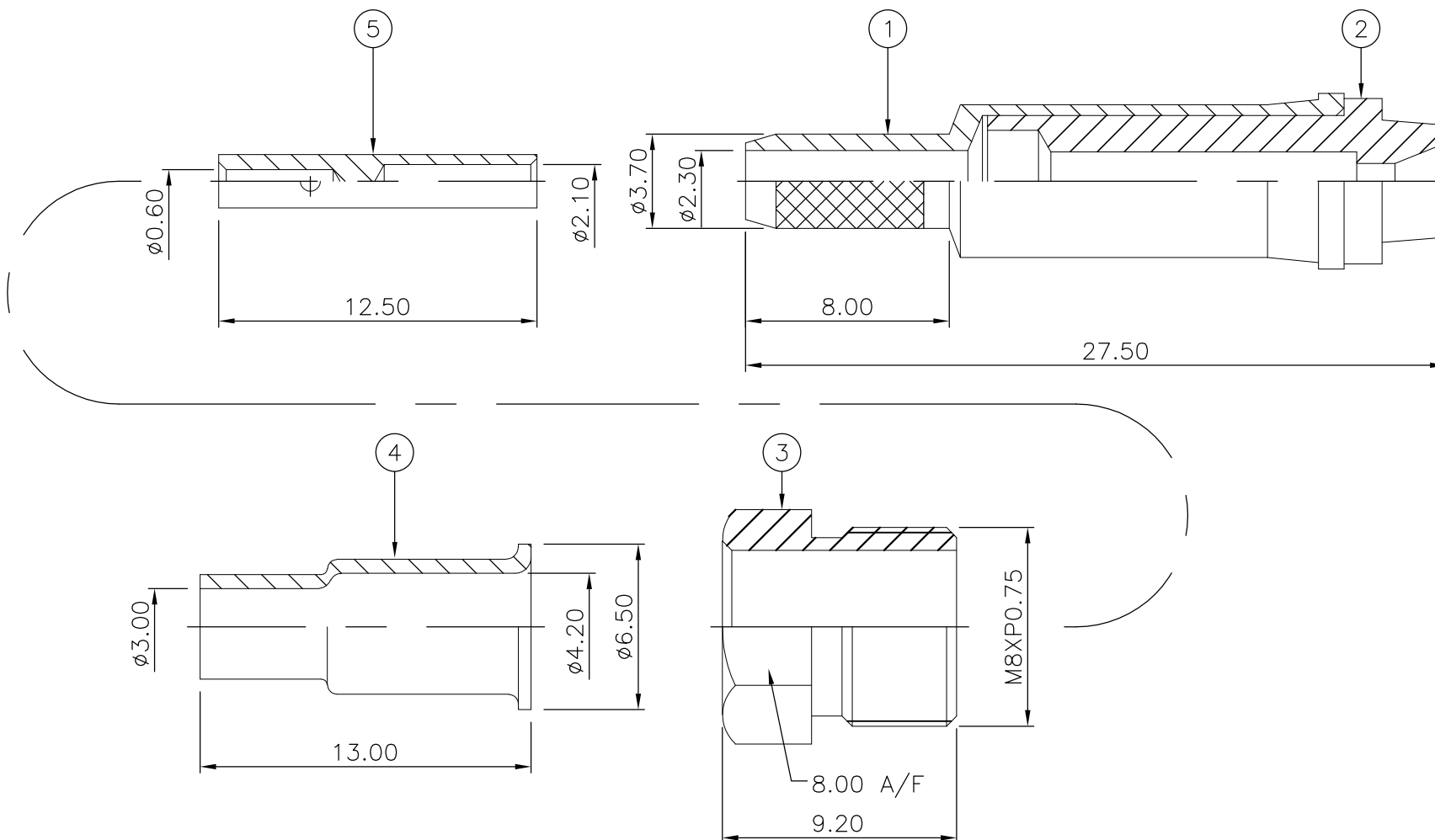
CABLE RETENTION FORCE:	
RG58C/U, 141A/U, URM43, 76	170N Min
RG174A/U, 188A/U, 316/U, URM95	85N Min
DURABILITY:	500 Cycles Min

9 ENVIRONMENTAL CHARACTERISTICS

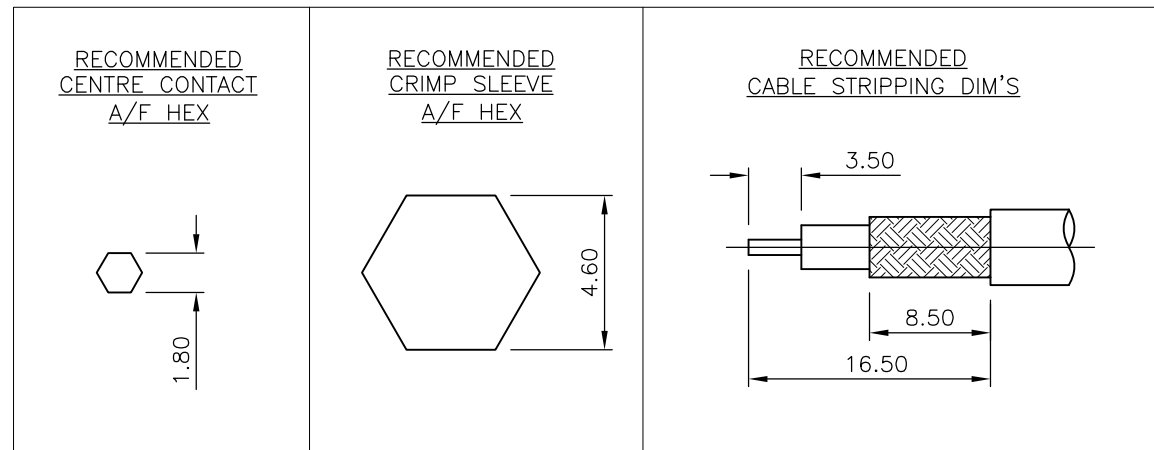
OPERATING TEMPERATURE: -55 to +85 DegC

10 FOR TECHNICAL DATA REFER TO YOUR LOCAL TE CONNECTIVITY SALES OFFICE

11 ALL DIMENSIONS ARE NOMINAL FOR REFERENCE ONLY UNLESS OTHERWISE STATED



QTY	UNIT	MATERIAL	DESCRIPTION	ITEM
1	1	BRASS	CONTACT	5
1	1	BRASS	FERRULE	4
1	1	BRASS	NUT	3
1	1	DELIRIN	INSULATION	2
1	1	BRASS	BODY	1
6--0	1--0	MATERIAL	DESCRIPTION	ITEM



THIS DRAWING IS A CONTROLLED DOCUMENT.

DIMENSIONS:	TOLERANCES UNLESS OTHERWISE SPECIFIED:
mm	
	0 PLC ± -
	1 PLC ± -
	2 PLC ± -
	3 PLC ± -
	4 PLC ± -
	ANGLES ± -
MATERIAL	FINISH
SEE TABLE	SEE TABLE

DWN J.SANDWELL 25AUG06
 CHK S.PARLOW 25AUG06
 APVD F.WHEELER-KING 25AUG06
 PRODUCT SPEC
 APPLICATION SPEC
 WEIGHT -

STE TE Connectivity

FME STRAIGHT JACK CRIMP 50 OHM
 RG174A/U, 188A/U, 316/U, URM95, KX3B, KX22A

SIZE A3 CAGE CODE 00779 DRAWING NO C-1337551 RESTRICTED TO -

CUSTOMER DRAWING SCALE NTS SHEET 1 OF 1 REV C1