



Chipsmall Limited consists of a professional team with an average of over 10 year of expertise in the distribution of electronic components. Based in Hongkong, we have already established firm and mutual-benefit business relationships with customers from,Europe,America and south Asia,supplying obsolete and hard-to-find components to meet their specific needs.

With the principle of “Quality Parts,Customers Priority,Honest Operation,and Considerate Service”,our business mainly focus on the distribution of electronic components. Line cards we deal with include Microchip,ALPS,ROHM,Xilinx,Pulse,ON,Everlight and Freescale. Main products comprise IC,Modules,Potentiometer,IC Socket,Relay,Connector.Our parts cover such applications as commercial,industrial, and automotives areas.

We are looking forward to setting up business relationship with you and hope to provide you with the best service and solution. Let us make a better world for our industry!



Contact us

Tel: +86-755-8981 8866 Fax: +86-755-8427 6832

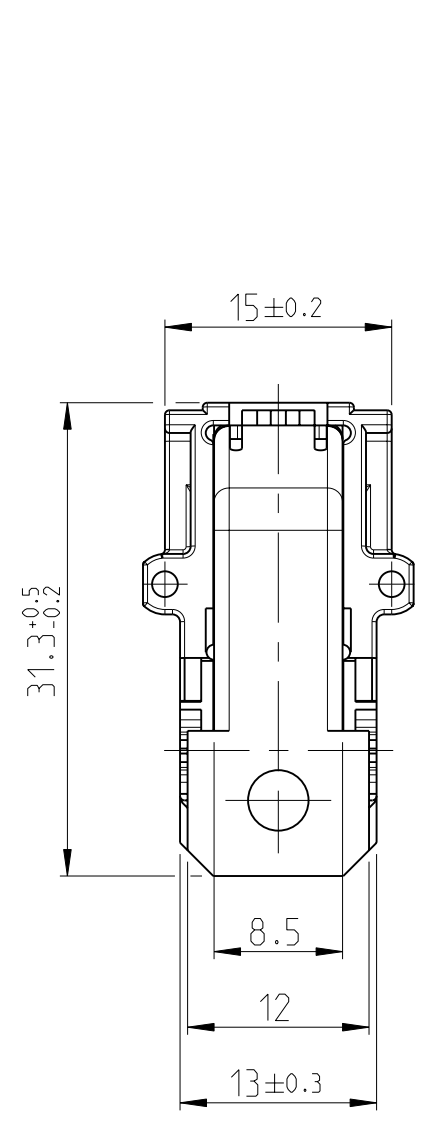
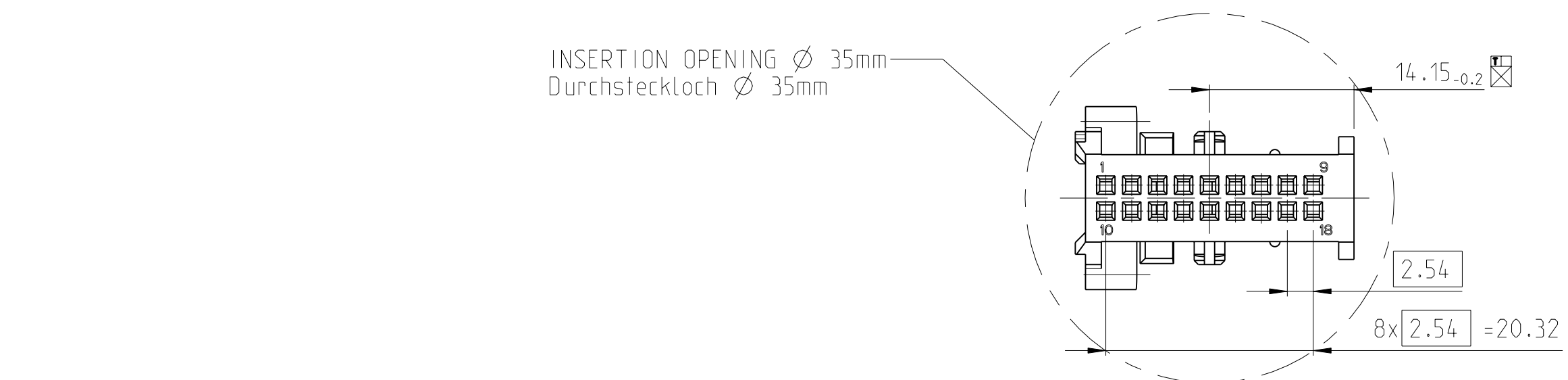
Email & Skype: info@chipsmall.com Web: www.chipsmall.com

Address: A1208, Overseas Decoration Building, #122 Zhenhua RD., Futian, Shenzhen, China



(SHOWN WITHOUT LEVER/ohne Hebel dargestellt)

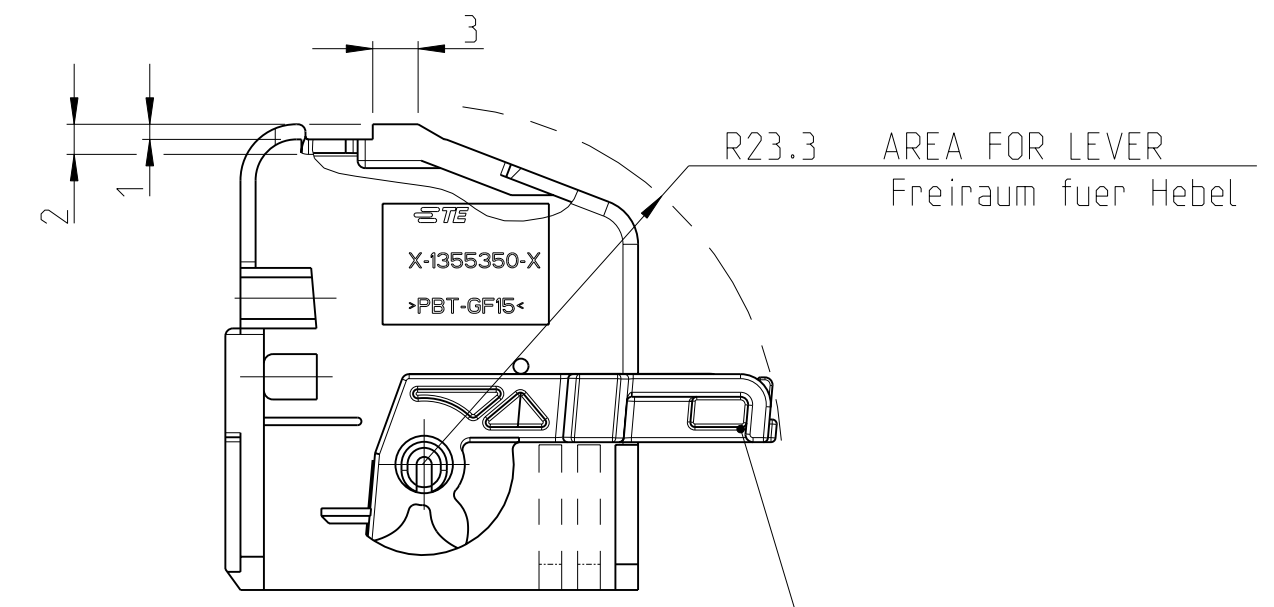
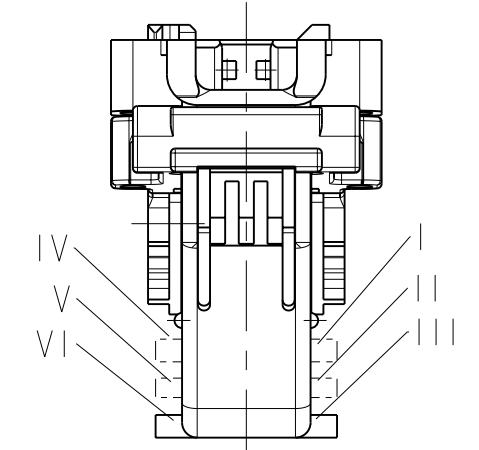
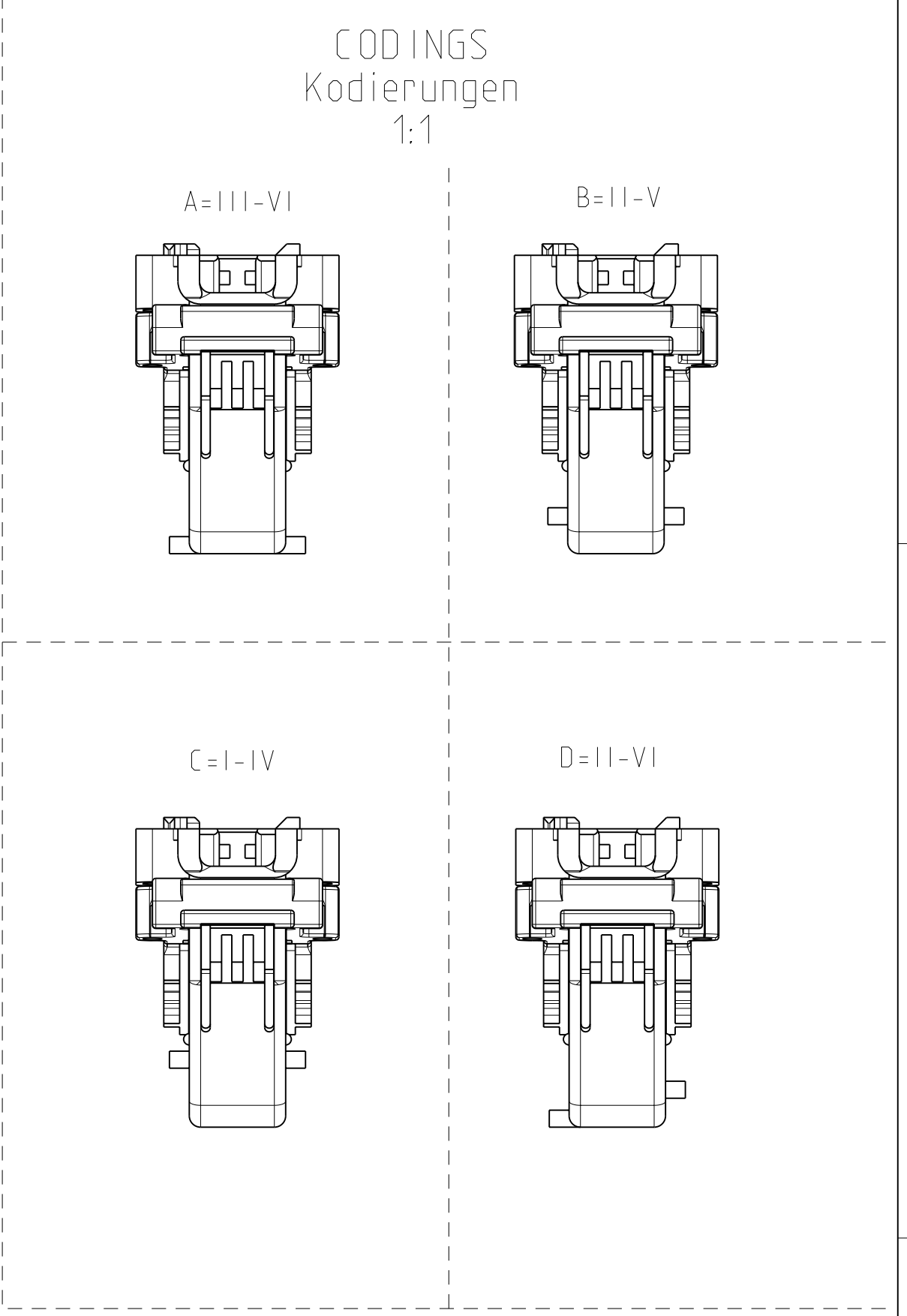
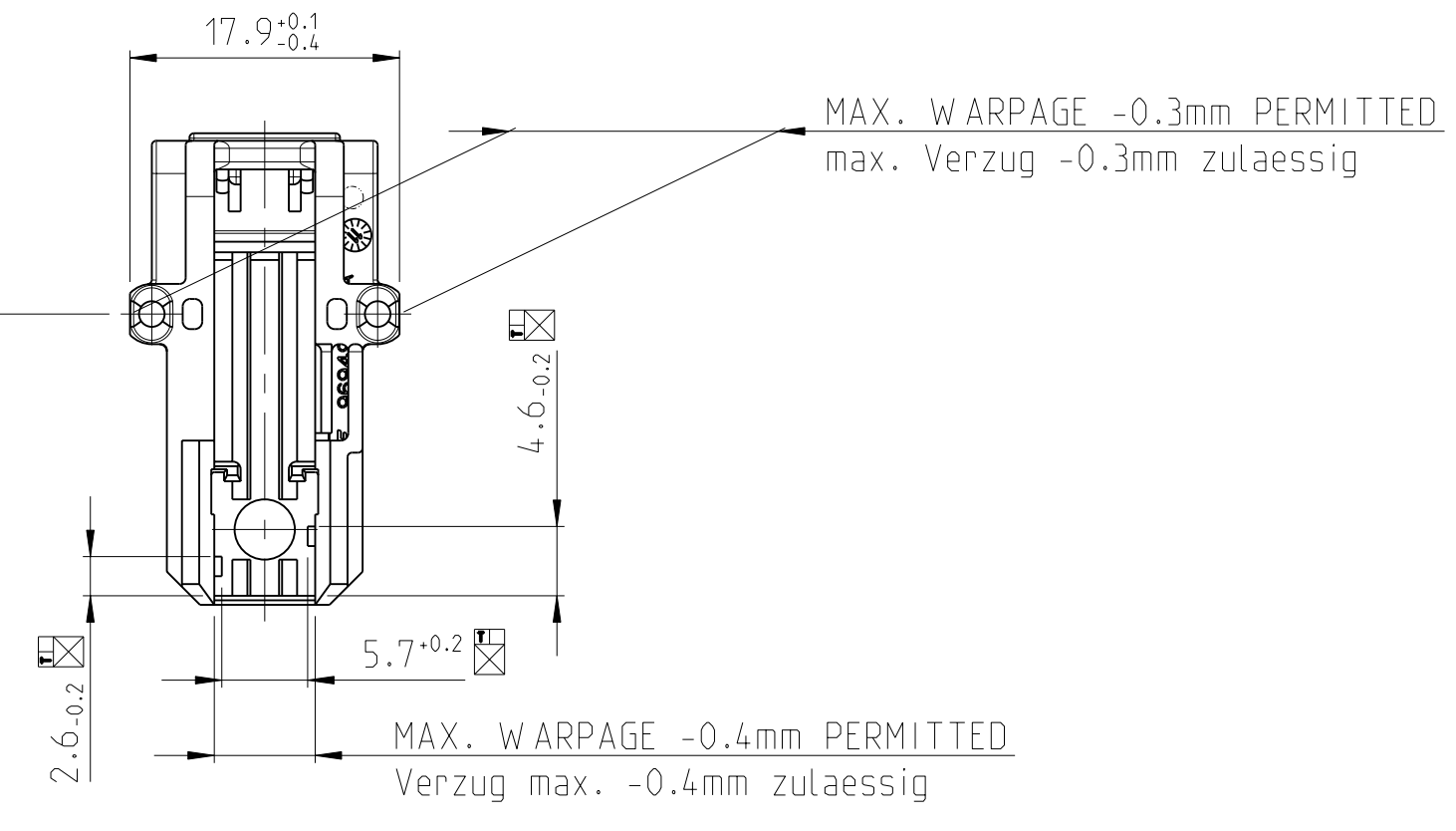
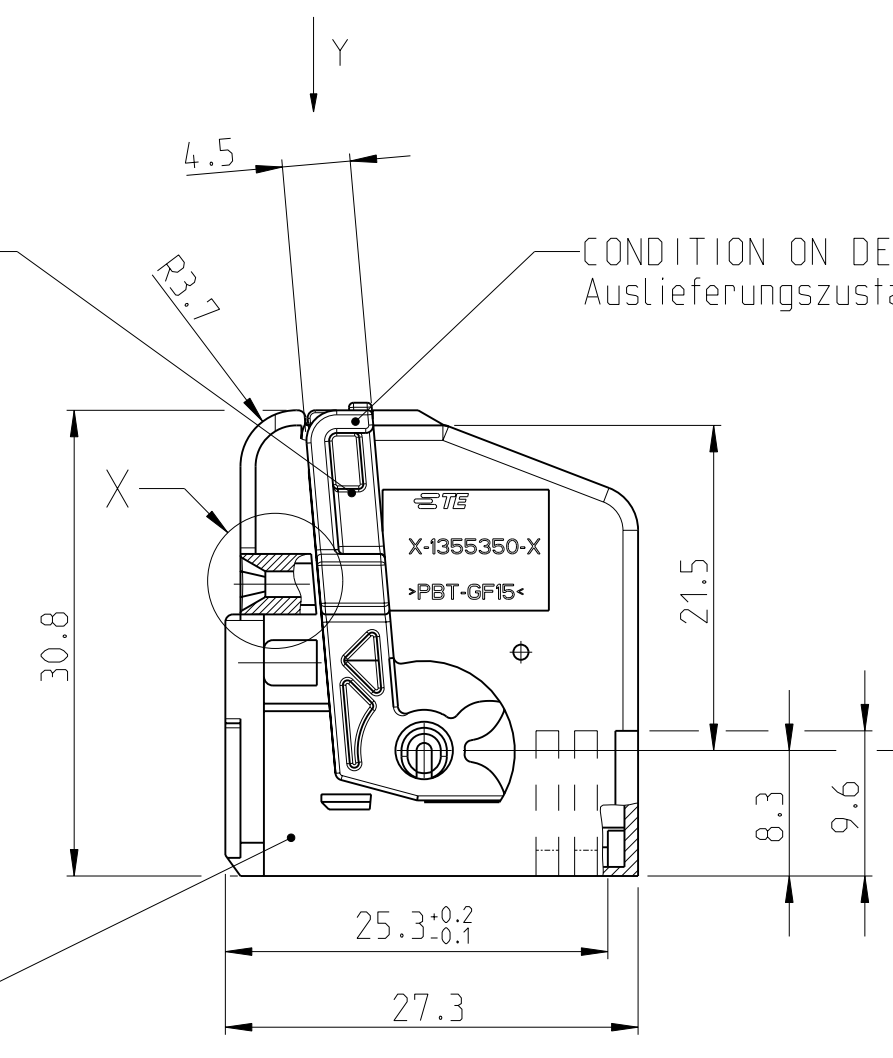
LOC	DIST	REV	DATE	BY	CHK	APPV
A1	-	A2	21MAR11	RK	HMR	
		A3	19APR12	VP	BF	



2 MATERIAL: TYPE /Ausführung PBT-GF20 (CRASTIN XMB 1086)

CONDITION ON DELIVERY LEVER IN ENDOCKED POSITION Auslieferungszustand Hebel in Endraststellung

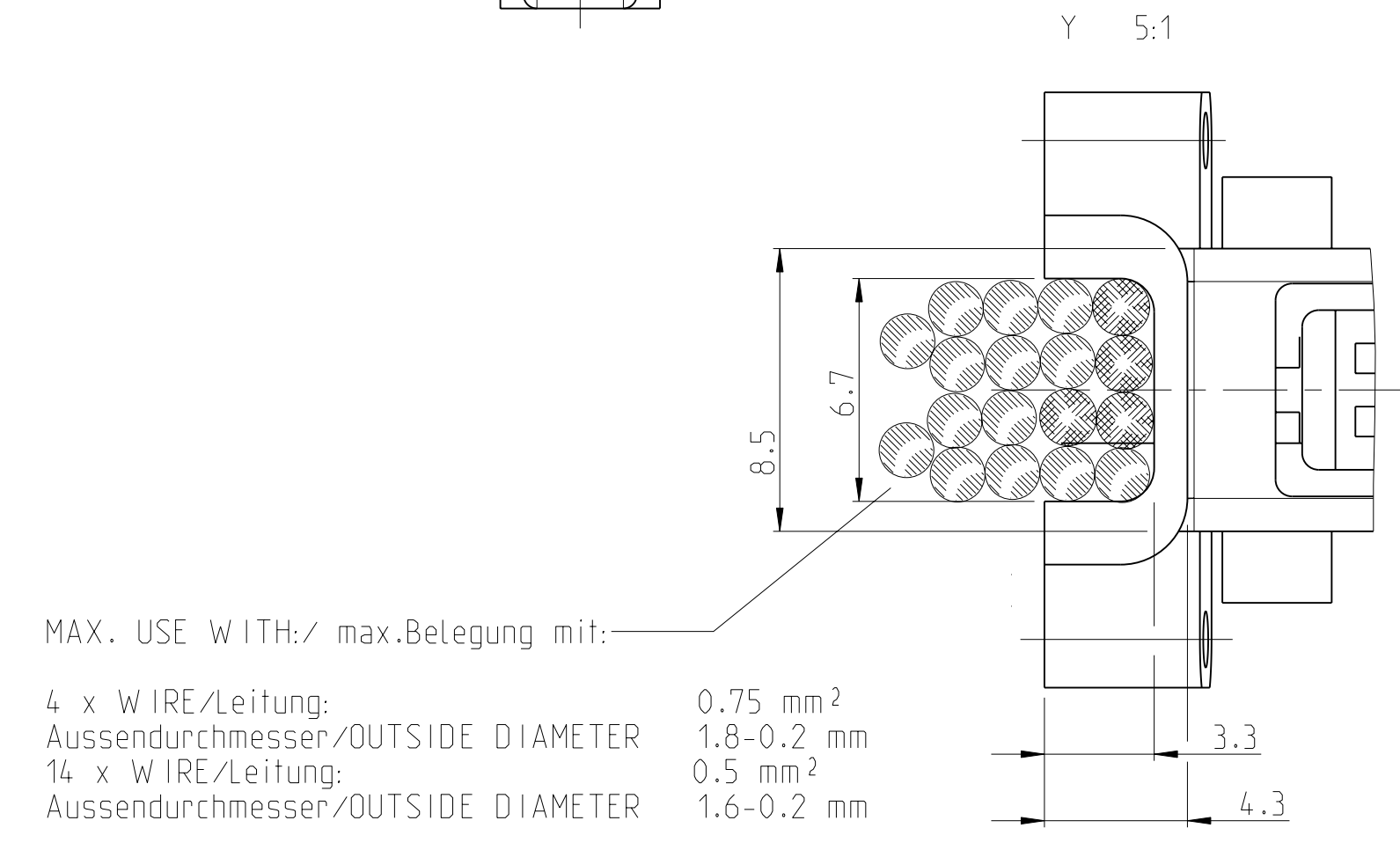
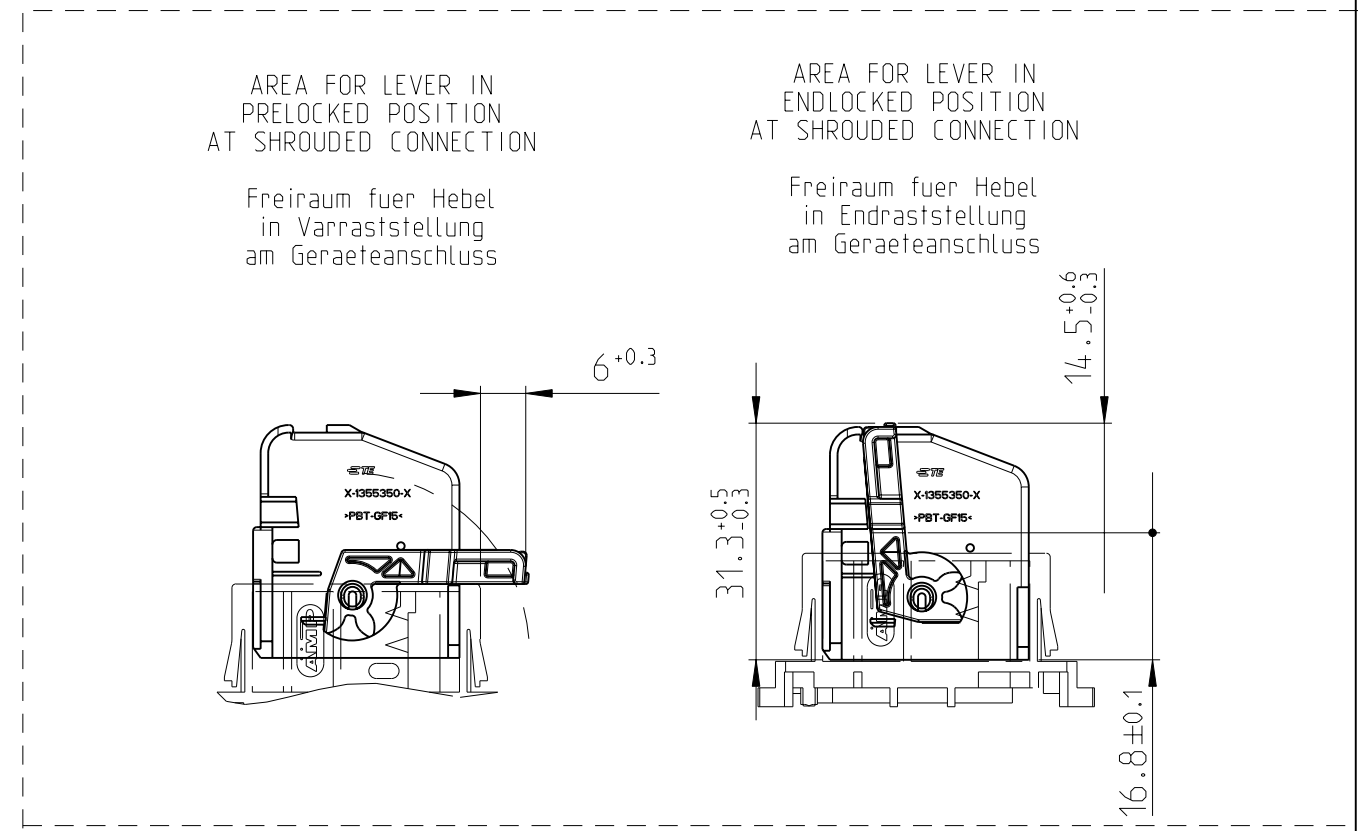
1 MATERIAL: PBT-GF15



ASSEMBLY: BRING LEVER IN PRELOCKED POSITION Montage: Hebel in Varraststellung bringen

- NOTES
Bemerkungen
- ONLY THE GERMAN-LANGUAGE VERSION SHALL BE BINDING
Massgebend ist der deutsche Text
 - PRODUCT SPECIFICATION: 108-18157-0
PRODUCT SPEZIFIKATION: 108-18157-0
 - DETAILS OF DESIGN ARE LEFT TO MANUFACTURER
Einzelheiten der Ausfuehrung bleiben dem Hersteller ueberlassen

1- -1 AS SHOWN wie gezeichnet



MAX. USE WITH:/ max.Belegung mit:

4 x WIRE/Leitung:	0.75 mm ²
Aussendurchmesser/OUTSIDE DIAMETER	1.8-0.2 mm
14 x WIRE/Leitung:	0.5 mm ²
Aussendurchmesser/OUTSIDE DIAMETER	1.6-0.2 mm

NOT TOOLED	4-1355350-1	A	D=III-VI	2	1	Hebel/LEVER	BLACK/schwarz	3.2	-	4-1355154-1
				1	1	Abdeckkappe/SHIELD	BORDEAUX-VIOLETT			
NOT TOOLED	3-1355350-1	A	C=I-IV	2	1	Hebel/LEVER	BLACK/schwarz	3.2	-	3-1355154-1
				1	1	Abdeckkappe/SHIELD	BLUE/blau			
-	2-1355350-1	A	B=II-V	2	1	Hebel/LEVER	BLACK/schwarz	3.2	-	2-1355154-1
				1	1	Abdeckkappe/SHIELD	NATURAL/natur			
-	1-1355350-1	A	A=III-VI	2	1	Hebel/LEVER	BLACK/schwarz	3.2	-	1-1355154-1
				1	1	Abdeckkappe/SHIELD	BLACK/schwarz			
REMARKS	ORDER NO. BESTELL-NR	REV.	COD. KOD.	POS.	STK. QTY.	BENENNUNG DESCRIPTION	SURFACE OBERFLAECHE COLOUR/FARBE	GRAMM WEIGHT GEWICHT	SUITABLE FOR:/PASSEND ZU: PIN HEADER/Stiftwanne	SUITABLE FOR:/PASSEND ZU: RECEPTACLE HSG./Buchsengeh.

TOLERANCING ISO 8015
TOLERIERUNG ISO 8015

TOLERANCES UNLESS OTHERWISE SPECIFIED ACC. TO DIN 16901-10 CENTRIC TO NOMINAL DIMENSION. EDITION 1982-11 SHALL APPLY. Freimaßtoleranzen nach DIN 16901-10. Es gilt die Ausgabe 1982-11.

THIS DRAWING IS A CONTROLLED DOCUMENT. DIMENSIONING AND TOLERANCING PER GPS (ISO STANDARDS)

DIMENSIONS: MASSEMEIEN: mm

TOLERANCES UNLESS OTHERWISE SPECIFIED: TOLERANZTOLERANZ:

0	PLC	±	±
1	PLC	±	±
2	PLC	±	±
3	PLC	±	±
4	PLC	±	±

FINISH SURFACE/FARBE

MATERIAL: -

WEIGHT GEWICHT: -

CUSTOMER DRAWING /KUNDENZEICHNUNG

SCALE MASSSTAB: 2:1

SHEET BLATT: 1 OF VON 1

REV: A3

TE Connectivity

MICRO QUADLOCK SYSTEM SHIELD FOR REC. HOUSING, 18POSN.ASSY
Micro Quadlock System, Abdeckkappe fuer r buchsengeh., 18 pol.

SIZE: A1
CAGE CODE: 100779
DRAWING NO: 1355350