



Chipsmall Limited consists of a professional team with an average of over 10 year of expertise in the distribution of electronic components. Based in Hongkong, we have already established firm and mutual-benefit business relationships with customers from,Europe,America and south Asia,supplying obsolete and hard-to-find components to meet their specific needs.

With the principle of "Quality Parts,Customers Priority,Honest Operation,and Considerate Service",our business mainly focus on the distribution of electronic components. Line cards we deal with include Microchip,ALPS,ROHM,Xilinx,Pulse,ON,Everlight and Freescale. Main products comprise IC,Modules,Potentiometer,IC Socket,Relay,Connector.Our parts cover such applications as commercial,industrial, and automotives areas.

We are looking forward to setting up business relationship with you and hope to provide you with the best service and solution. Let us make a better world for our industry!



Contact us

Tel: +86-755-8981 8866 Fax: +86-755-8427 6832

Email & Skype: info@chipsmall.com Web: www.chipsmall.com

Address: A1208, Overseas Decoration Building, #122 Zhenhua RD., Futian, Shenzhen, China

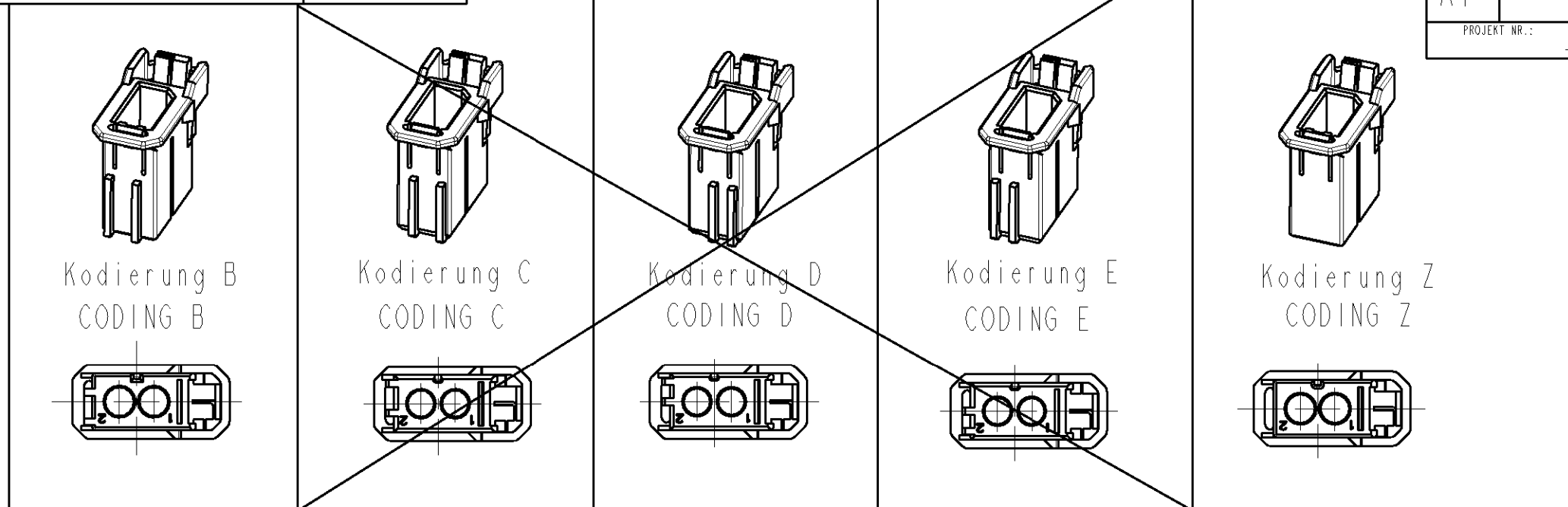
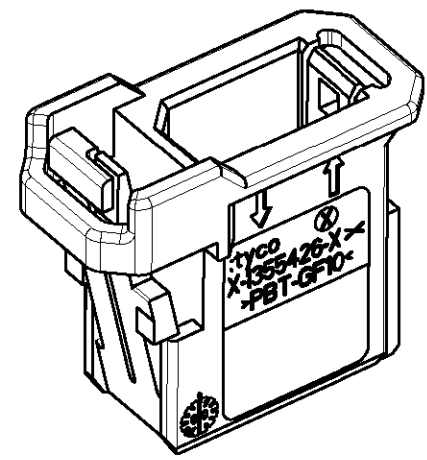


THIS DRAWING IS UNPUBLISHED.
 VERTRÄULICHE UNVERÖFFENTLICHT ZEICHNUNG
 RELEASED FOR PUBLICATION
 FREI FUER VERÖFFENTLICHTUNG
 2000
 BY TYCO ELECTRONICS CORPORATION. ALL RIGHTS RESERVED.
 ALLE RECHTE VORBEHALTEN

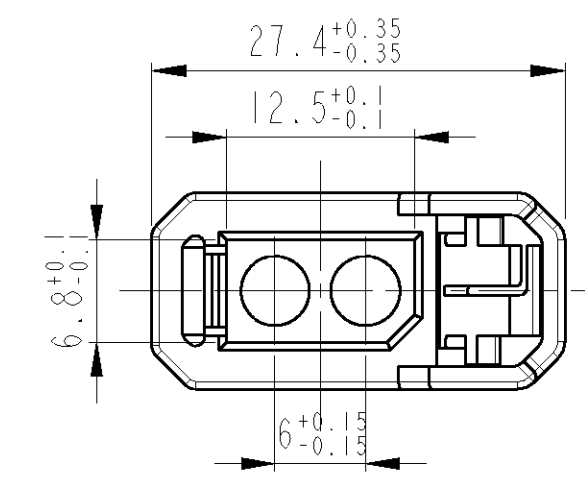
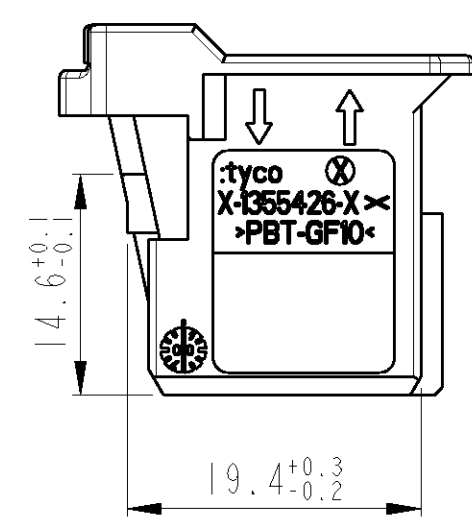
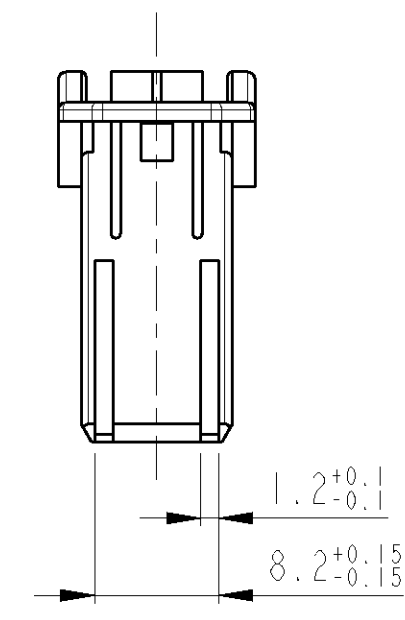
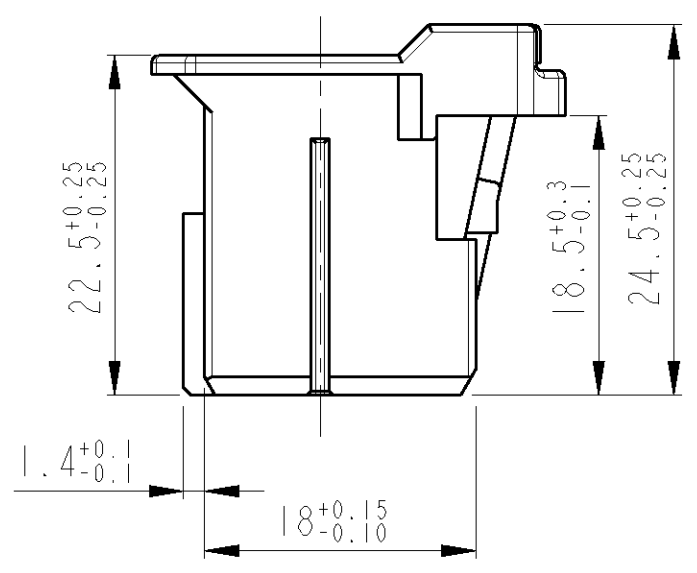
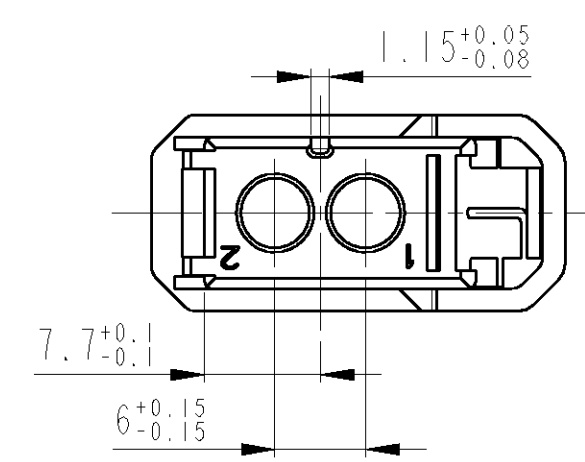
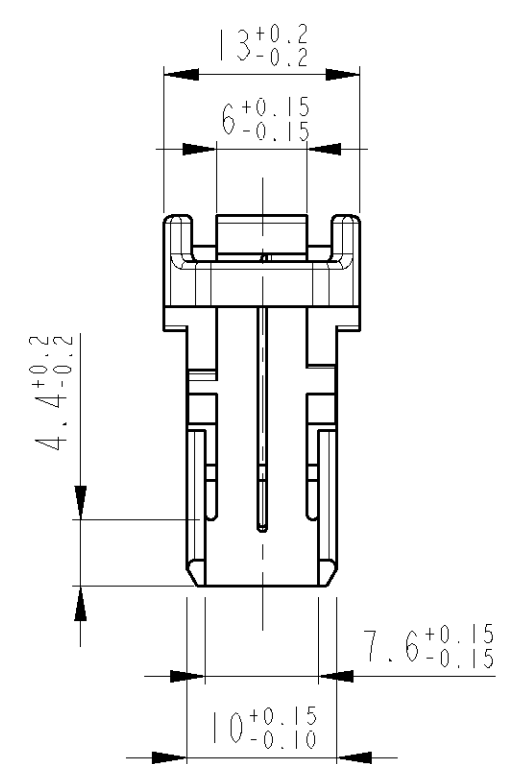
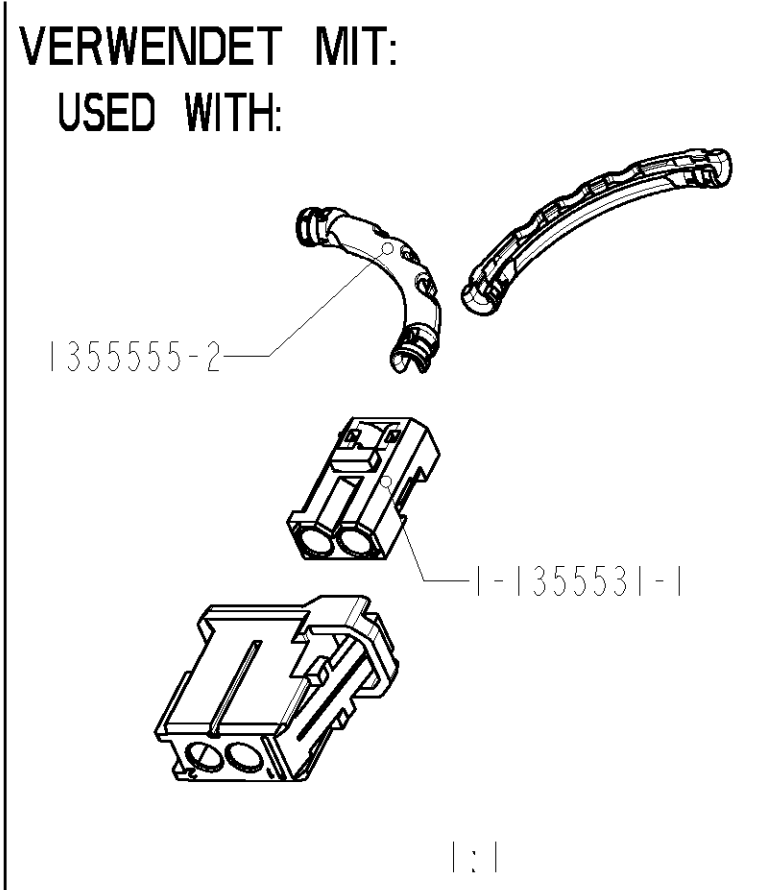
MATED WITH:
 PASSEND ZU:

LOC A1
 DIST -
 PROJECT NR.:

REVISIONS			DATE	DWN	APVD
AENDERUNGEN	DESCRIPTION	BESCHREIBUNG			
			01DEC00	M.G	



Kodierung A wie gezeichnet
 CODING A AS SHOWN



Bemerkungen
 NOTES

1 Schnittstellenausführung nach
 Zeichnung 114-18361-1

MATING PART EXECUTION ACC. 114-18361-1

TYCO BESTELL-NR. ORDER NO.	REV.	Kod.	STK. QTY.	BENENNUNG DESCRIPTION	OBERFLAECHE SURFACE FARBE/COLOUR	WERKSTOFF MATERIAL	GRAMM GEWICHT WEIGHT
1-1355426-6	A	Z		CARRIER HSG. 2POSN	WATER BLUE	PBT-GF	
1-1355426-5	A	E		CARRIER HSG. 2POSN		PBT-GF	
1-1355426-4	A	D		CARRIER HSG. 2POSN		PBT-GF	
1-1355426-3	A	C		CARRIER HSG. 2POSN		PBT-GF	
1-1355426-2	A	B		CARRIER HSG. 2POSN	NATURE	PBT-GF	
1-1355426-1	A	A		CARRIER HSG. 2POSN	BLACK	PBT-GF	

THIS DRAWING IS A CONTROLLED DOCUMENT FOR TYCO ELECTRONICS CORPORATION
 IT IS SUBJECT TO CHANGE AND THE CONTROLLING ENGINEERING ORGANIZATION
 SHOULD BE CONTACTED FOR THE LATEST REVISION.
 DIESSES ZEICHNUNGSDOKUMENT WIRD DURCH AMP INCORPORATED KONTROLLIERT.
 AENDERUNGEN, DIE DIRM TECHNISCHEN FORTSCHRITT DIESER, SIND VORBEHALTEN.
 DEN JEWEILS LETZTBESTEHEN AENDERUNGSSTAND ERFAHREN SIE AUF ANFRAGE.

DIMENSIONS:
 MASSEINHEITEN:
 mm

TOLERANCES UNLESS
 OTHERWISE SPECIFIED:
 ALLGEMEINTOLERANZEN

0	PLC	ACC. TO
1	PLC	± DIN 16901-140
2	PLC	± CENTRIC TO
3	PLC	± NOMINAL DIM
	PLC	

ANGLES/WINKEL ±1
 FINISH/OBERFLAECHE/FARBE

MATERIAL -

DWN M. Gimbel 25JAN00
 CHK B. Kirsch 21FEB01
 APVD -
 PRODUCT SPEC
 PRODUKTSPEZ.
 APPLICATION SPEC
 VERARBEITUNGSSPEZ.

WEIGHT
 GEWICHT -

CUSTOMER DRAWING /KUNDENZEICHNUNG

tyco
Electronics

AMP Deutschland GmbH
 D - 63225 Langen

NAME
 FIBER OPTIC Aufnahmegehäuse, 2POL.
 FIBER OPTIC CARRIER HSG 2POSN

SIZE A2
 CAGE CODE 00779
 DRAWING NO. ZEICHNUNGS-NR. 1355426
 RESTRICTED TO NUR FUER -

SCALE MASSSTAB
 SHEET BLATT
 OF VON
 REV C1