



Chipsmall Limited consists of a professional team with an average of over 10 year of expertise in the distribution of electronic components. Based in Hongkong, we have already established firm and mutual-benefit business relationships with customers from,Europe,America and south Asia,supplying obsolete and hard-to-find components to meet their specific needs.

With the principle of "Quality Parts,Customers Priority,Honest Operation,and Considerate Service",our business mainly focus on the distribution of electronic components. Line cards we deal with include Microchip,ALPS,ROHM,Xilinx,Pulse,ON,Everlight and Freescale. Main products comprise IC,Modules,Potentiometer,IC Socket,Relay,Connector.Our parts cover such applications as commercial,industrial, and automotives areas.

We are looking forward to setting up business relationship with you and hope to provide you with the best service and solution. Let us make a better world for our industry!



Contact us

Tel: +86-755-8981 8866 Fax: +86-755-8427 6832

Email & Skype: info@chipsmall.com Web: www.chipsmall.com

Address: A1208, Overseas Decoration Building, #122 Zhenhua RD., Futian, Shenzhen, China

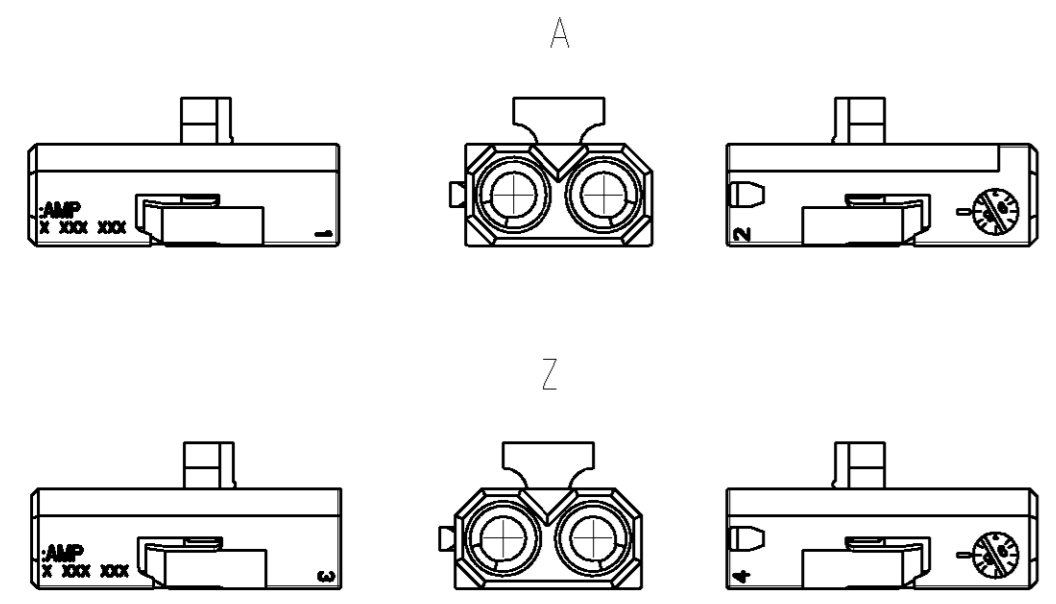


THIS DRAWING IS UNPUBLISHED. VERTRAULICHE UNVERÖFFENTLICHTE ZEICHNUNG
 RELEASED FOR PUBLICATION. FREI FÜR VERÖFFENTLICHUNG
 © COPYRIGHT 1999 BY AMP INCORPORATED. ALL RIGHTS RESERVED. ALLE RECHTE VORBEHALTEN
 MATED WITH: PASSEND ZU:

LOC	DIST	REVISIONS					
A	-	P	LTR	DESCRIPTION	DATE	DWN	APVD
PROJEKT NR.: 98-52009		A	EG00 1710 99		19AUG99	SG	RJ
		B	EG00 0365 00		15FEB2000	CB	RJ
		BI	EG00 1882 00		17AUG2000	CB	TS

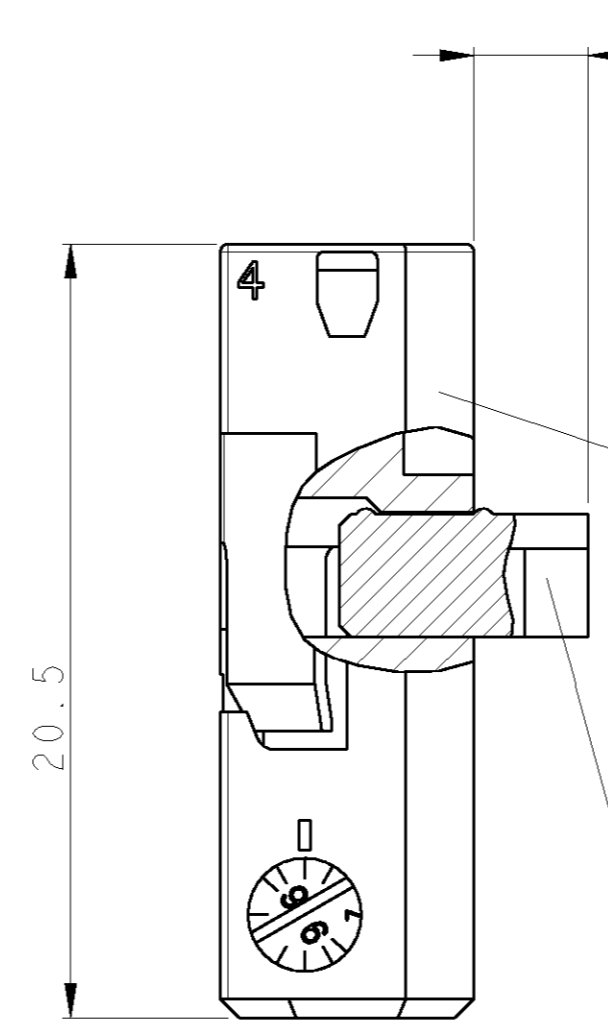
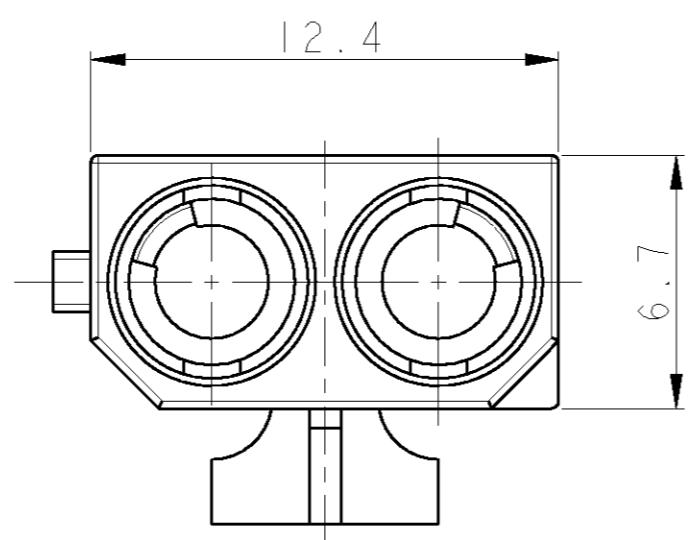
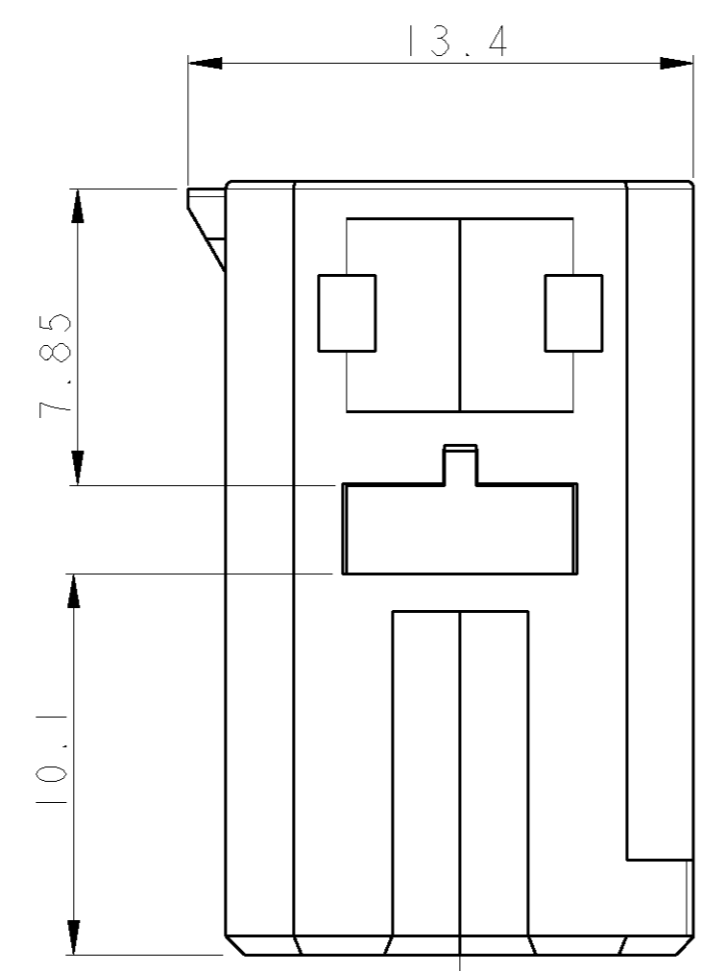
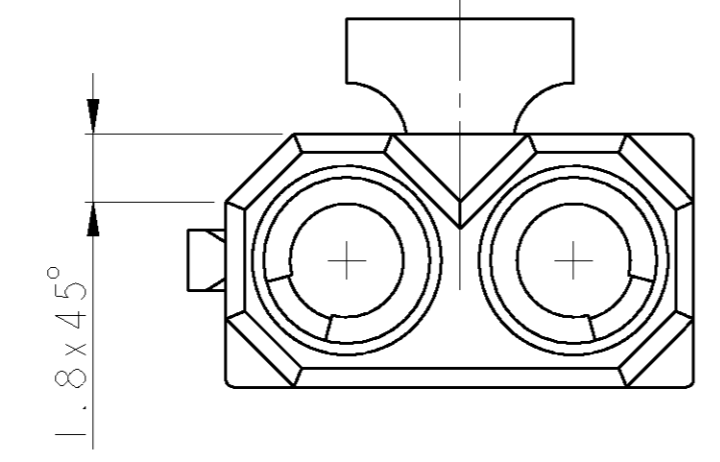
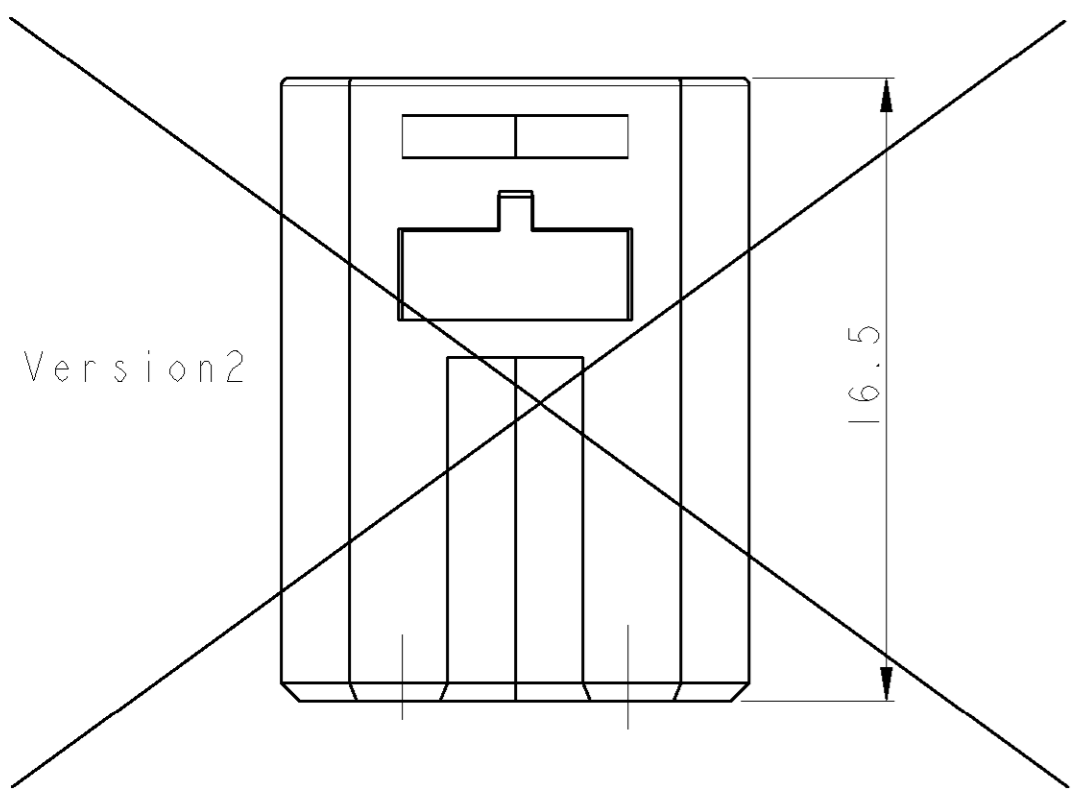
Kodierungen
CODINGS

B
wie gezeichnet
AS SHOWN



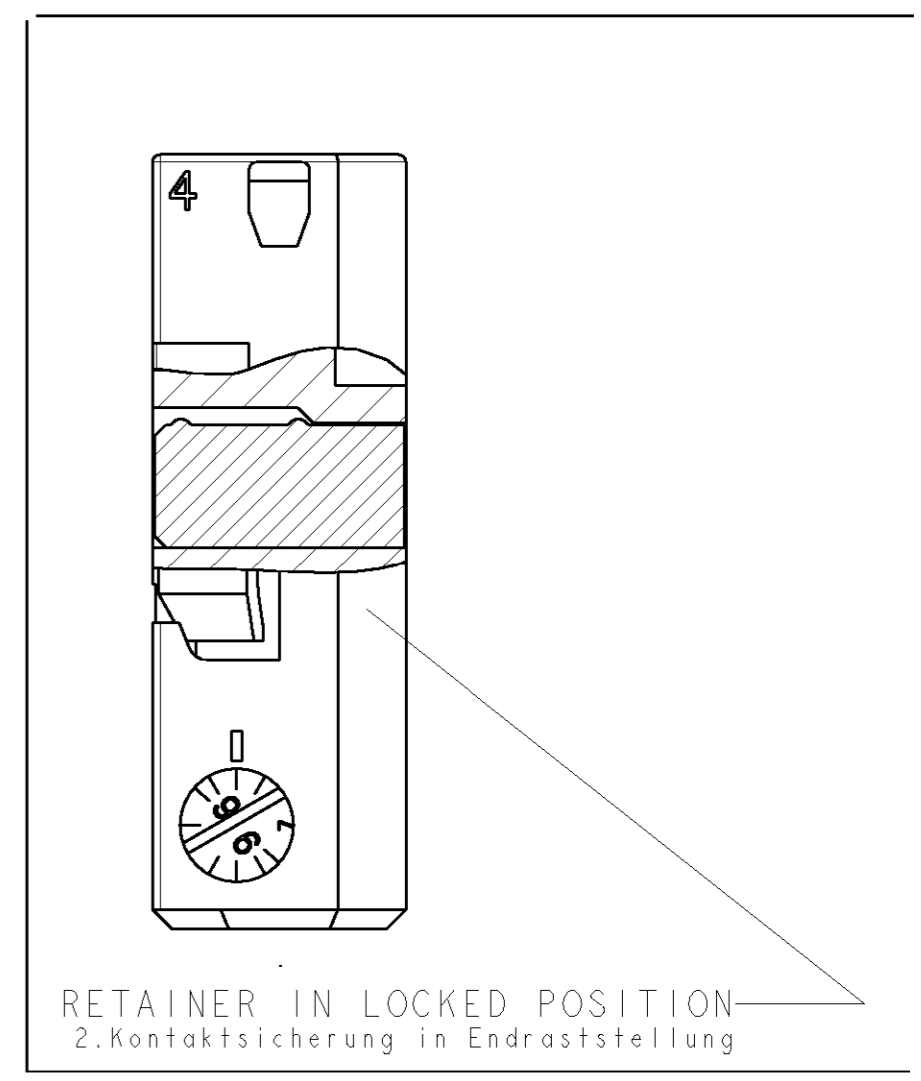
Ausführung
VERSION

Version1 wie gezeichnet
AS SHOWN



1 Gehäuse / HOUSING
Material: PBT-GF10
Farbe: siehe Tabelle
COLOR: SEE TABLE

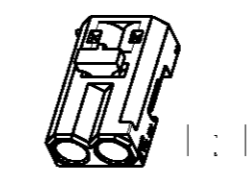
2 2.Kontactsicherung/RETAINER
Material: PBT-GF10
Farbe: blau
COLOR: BLUE



RETAINER IN LOCKED POSITION
2.Kontactsicherung in Endraststellung

Bemerkungen
NOTES

- Formteilungsgrat max. 0.3 zulässig
MOULD BURRS MAX. 0.3 PERMITTED
- Einzelheiten der Ausführung bleiben dem Hersteller überlassen
DETAILS OF DESIGN ARE LEFT TO MANUFACTURER
- Zulässiger Reneratanteil max.25%
RECYCLED MATERIAL MAX 25% PERMISSIBLE
- Passend zu Kontakt: AMP: 1355532
SUITABLE FOR CONTACT:
- Anlieferzustand: 2. Kontactsicherung in Vorraststellung
CONDITION AS DELIVERY: RETAINER IN PRE-LOCKED POSITION
- Pruefkragen siehe Zeichnung: AMP: 114-18362-002
SHROUDED CONNECTOR FOR TESTING:



AMP BESTELL-NR. ORDER NO.	REV.	FARBE COLOR	KOD. COD.	VERSION
2-1355531-9	B	wasserblau/WATERBLUE	Z	2
1-1355531-9	B	wasserblau/WATERBLUE	Z	
1-1355531-2	B	grau/GREY	B	1
1-1355531-1	B	schwarz/BLACK	A	

<small>THIS DRAWING IS A CONTROLLED DOCUMENT FOR AMP INCORPORATED. IT IS SUBJECT TO CHANGE AND THE CONTROLLING ENGINEERING ORGANIZATION SHOULD BE CONTACTED FOR THE LATEST REVISION. DIESSES ZEICHNUNGSdokument WIRD DURCH AMP INCORPORATED KONTROLLIERT. ANDERNDREN, SIE DEN TECHNISCHEN FORTSCHRITT SIEHER, SIND VORBEHALTEN. DEN JEWEILS LETZTBESTEHEN AENDERUNGSSTAND ERFAHREN SIE AUF ANFRAGE.</small>		DWN C. Bömmel 31NOV99	NAME AMP Deutschland GmbH D - 63225 Langen
<small>DIMENSIONS: MASSEINHEITEN: mm</small>		CHK R. Jetter 31NOV99	APVD -
<small>TOLERANCES UNLESS OTHERWISE SPECIFIED: ALLGEMEINTOLERANZEN</small>		PRODUCT SPEC 108-18698	RESTRICTED TO NUR FÜR
<small>1 PLC ± 2 PLC ± 3 PLC ±16901-140 PLC ANGLES/WINKEL ±° FINISH/OBERFLAECHE/FARBE</small>		APPLICATION SPEC 114-18351	SIZE A2
<small>MATERIAL</small>		WEIGHT 1g	CAGE CODE 00779
<small>Customer Drawing</small>		SCALE 2:1	DRAWING NO. 1355531
<small>Customer Drawing</small>		SHEET 1	OF 1
<small>Customer Drawing</small>		REV BI	