



Chipsmall Limited consists of a professional team with an average of over 10 year of expertise in the distribution of electronic components. Based in Hongkong, we have already established firm and mutual-benefit business relationships with customers from,Europe,America and south Asia,supplying obsolete and hard-to-find components to meet their specific needs.

With the principle of “Quality Parts,Customers Priority,Honest Operation,and Considerate Service”,our business mainly focus on the distribution of electronic components. Line cards we deal with include Microchip,ALPS,ROHM,Xilinx,Pulse,ON,Everlight and Freescale. Main products comprise IC,Modules,Potentiometer,IC Socket,Relay,Connector.Our parts cover such applications as commercial,industrial, and automotives areas.

We are looking forward to setting up business relationship with you and hope to provide you with the best service and solution. Let us make a better world for our industry!



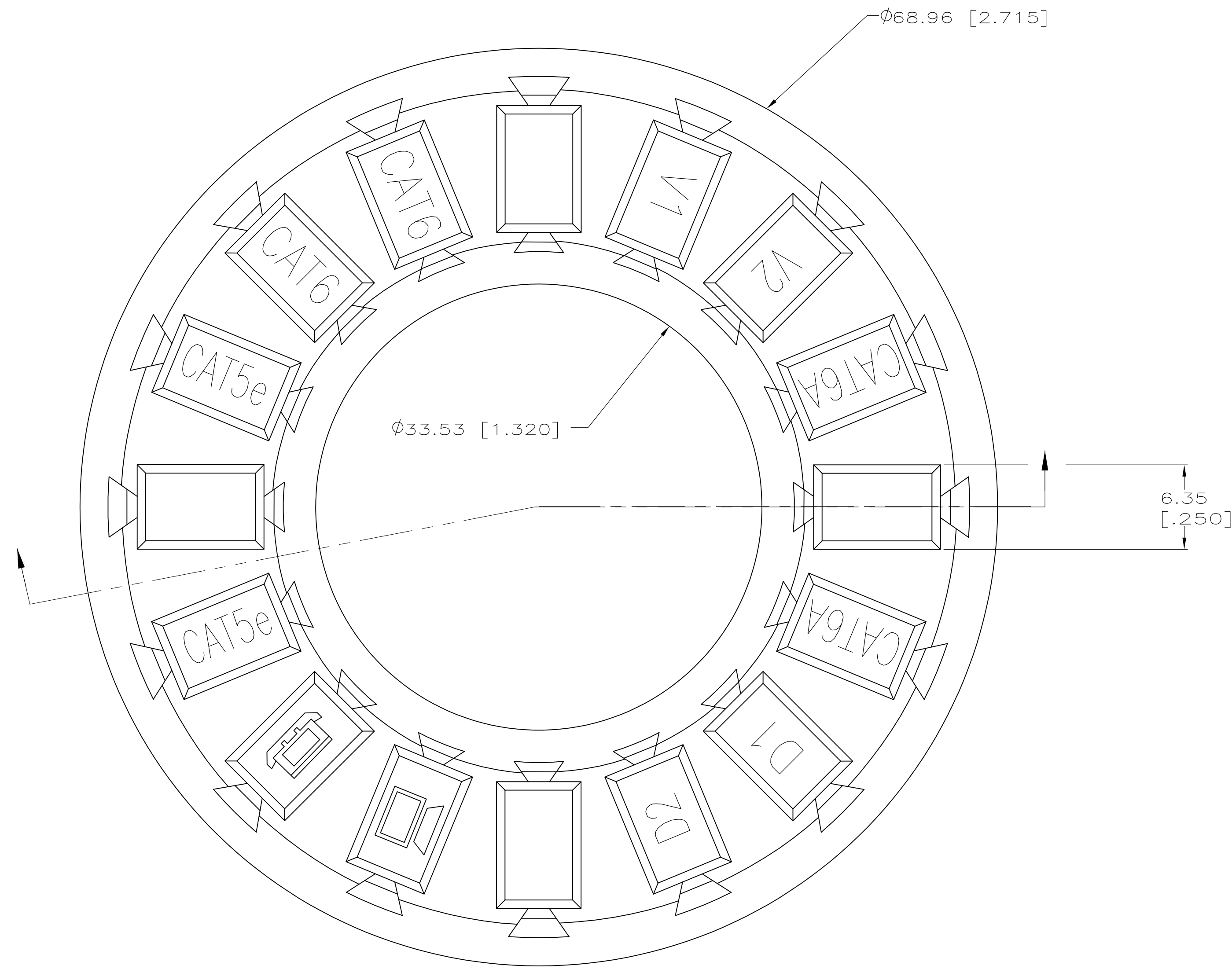
Contact us

Tel: +86-755-8981 8866 Fax: +86-755-8427 6832

Email & Skype: info@chipsmall.com Web: www.chipsmall.com

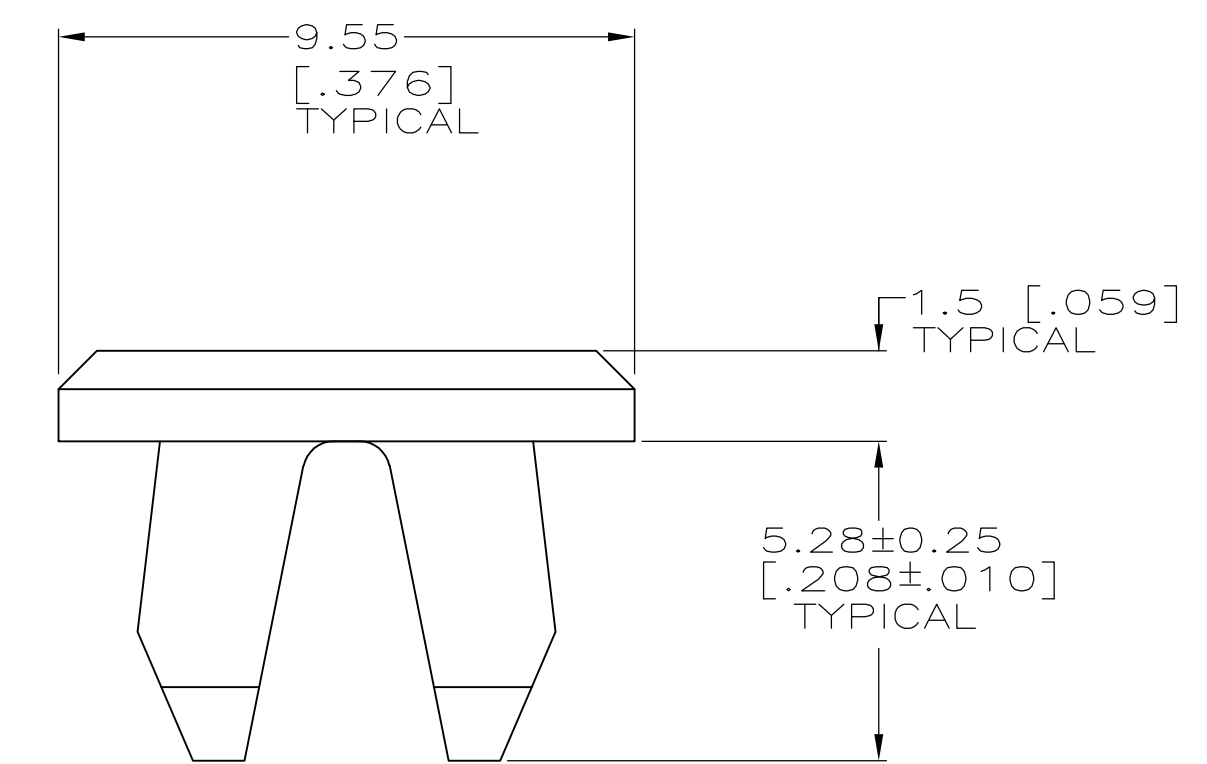
Address: A1208, Overseas Decoration Building, #122 Zhenhua RD., Futian, Shenzhen, China



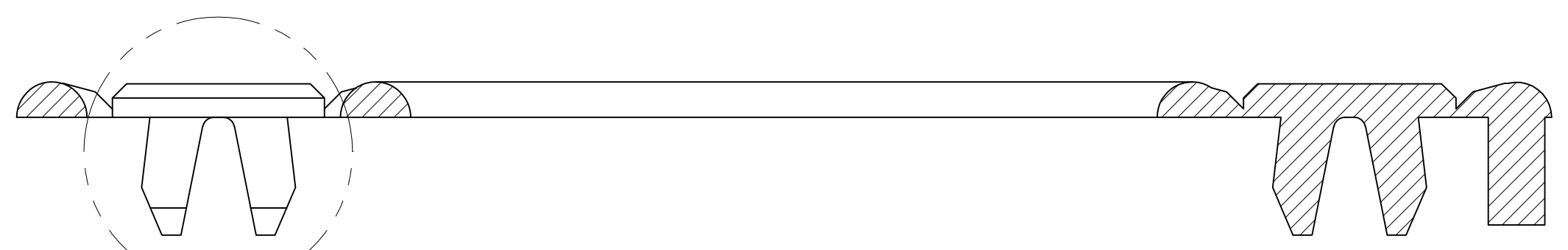


1 MATERIAL: POLYPHENYLENE OXIDE 94V-0 RATED. SEE TABLE FOR COLOR.

2 MATERIAL: POLYCARBONATE MOLDING COMPOUND. SEE TABLE FOR COLOR.



DETAIL A
SCALE 8:1



SEE DETAIL A

1	AQUA	1-1375092-5
	BROWN	1-1375092-4
2	ALPINE WHITE	1-1375092-3
1	ROSE	1-1375092-2
	ELECTRIC IVORY	1-1375092-1
	NEMA GRAY	1-1375092-0
	VIOLET	1375092-9
	WHITE	1375092-8
	ORANGE	1375092-7
2	BLACK	1375092-6
	YELLOW	1375092-5
	BLUE	1375092-4
	GREEN	1375092-3
	RED	1375092-2
	LIGHT ALMOND	1375092-1
	MATERIAL	COLOR
		PART NO.

THIS DRAWING IS A CONTROLLED DOCUMENT.

DIMENSIONS: mm [INCHES]	TOLERANCES UNLESS OTHERWISE SPECIFIED: 0. PLC ± - 1. PLC ± - 2. PLC ± 0.25 [.01] 3. PLC ± 0.13 [.005] 4. PLC ± - ANGLES ± -	DIM GARRETT DEMARDO CHK G. ROWMAN DEMARDO APVD G. ROWMAN DEMARDO PRODUCT SPEC	STE TE Connectivity NAME ICON WHEEL, VOICE, DATA, CATEGORY
MATERIAL 	FINISH -	APPLICATION SPEC WEIGHT -	SIZE CASE CODE DRAWING NO A1 00779 C=1375092 RESTRICTED TO
CUSTOMER DRAWING		SCALE 4:1	SHEET 1 OF 1 REV E