



Chipsmall Limited consists of a professional team with an average of over 10 year of expertise in the distribution of electronic components. Based in Hongkong, we have already established firm and mutual-benefit business relationships with customers from,Europe,America and south Asia,supplying obsolete and hard-to-find components to meet their specific needs.

With the principle of “Quality Parts,Customers Priority,Honest Operation,and Considerate Service”,our business mainly focus on the distribution of electronic components. Line cards we deal with include Microchip,ALPS,ROHM,Xilinx,Pulse,ON,Everlight and Freescale. Main products comprise IC,Modules,Potentiometer,IC Socket,Relay,Connector.Our parts cover such applications as commercial,industrial, and automotives areas.

We are looking forward to setting up business relationship with you and hope to provide you with the best service and solution. Let us make a better world for our industry!



Contact us

Tel: +86-755-8981 8866 Fax: +86-755-8427 6832

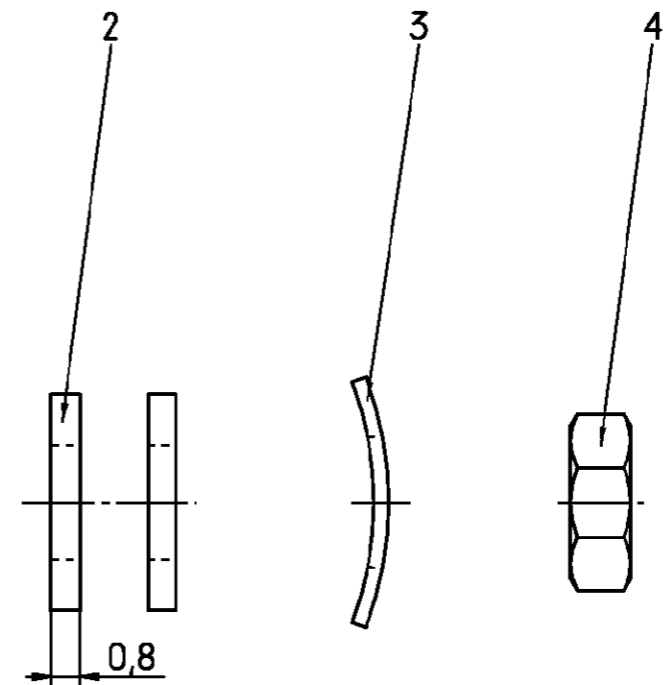
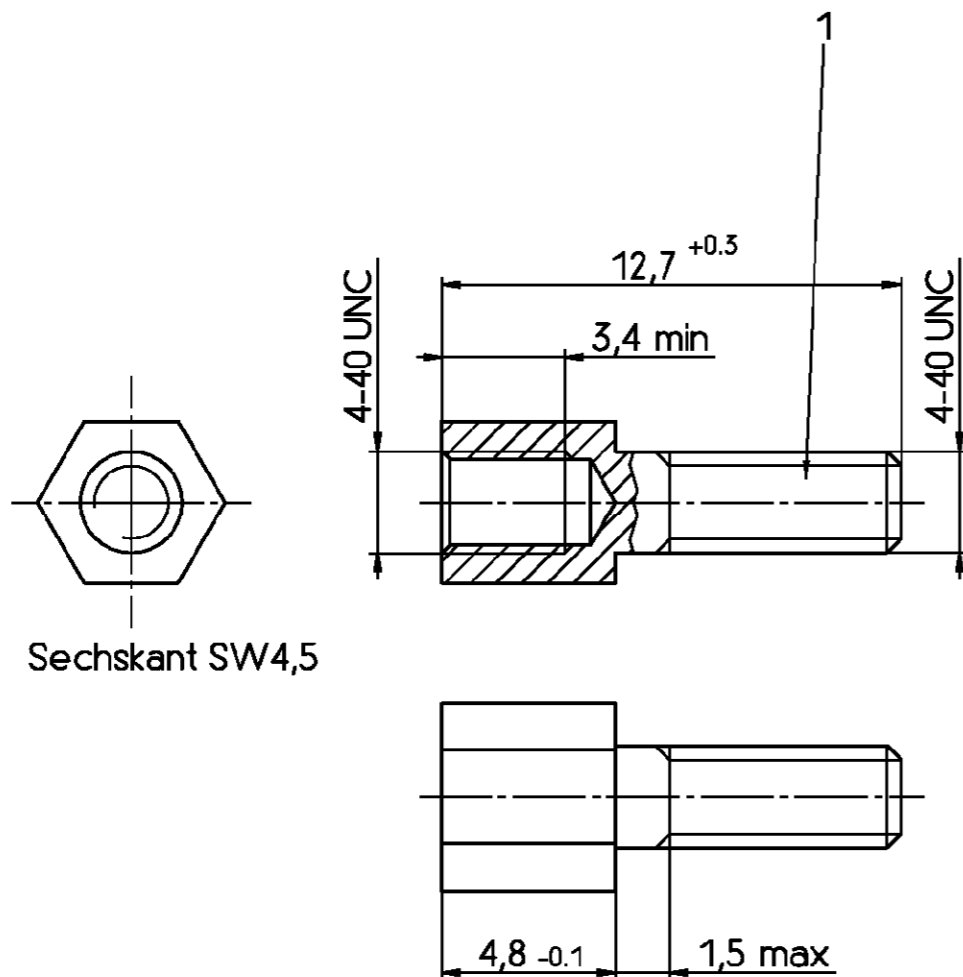
Email & Skype: info@chipsmall.com Web: www.chipsmall.com

Address: A1208, Overseas Decoration Building, #122 Zhenhua RD., Futian, Shenzhen, China



THIS INFORMATION IS CONFIDENTIAL AND PROPRIETARY TO TYCO ELECTRONICS CORPORATION AND ITS WORLDWID SUBSIDIARIES AND AFFILIATES. IT MAY NOT BE DISCLOSED TO ANYONE, OTHER THAN TYCO ELECTRONICS PERSONEL, WITHOUT WRITTEN AUTHORIZATION FROM TYCO ELECTRONICS CORPORATION, HARRISBURG, PENNSYLVANIA USA.

PROPRIETARY



Aktuelles Sachnummern.
Kontaktieren Sie Tyco Electronics
für Weitere Varianten

Altes Sachnummer	Tyco Sachnummer
V42254-A122-V1	1-1393560-8
V42254-A122-V2	1-1393560-9

tyco TYCO ELECTRONICS CORPORATION		SCALE 5:1		WEIGHT	
Electronics OOSTKAMP - BELGIUM		DIMENSIONS IN MM		MATERIAL	
DATE 29.09.88		PART NAME		Bolzensatz	
NAME De Petter		PART NO.		V42254-A122-V1-* -27	
DEP. PD Com		TOLERANCE UNLESS SPECIFIED OTHERWISE		SHT. 1-	
Customer Drawing Nr. C 1-1393560-8		REV. CHANGE ORDER		DATE APP.	
A	WO 01/7022	19.12.00	VS		
03	WO92/030	07.11.91	RST		
02	WB89/188	05.07.89	VH		
01		07.10.88	DPI		