



Chipsmall Limited consists of a professional team with an average of over 10 year of expertise in the distribution of electronic components. Based in Hongkong, we have already established firm and mutual-benefit business relationships with customers from,Europe,America and south Asia,supplying obsolete and hard-to-find components to meet their specific needs.

With the principle of “Quality Parts,Customers Priority,Honest Operation,and Considerate Service”,our business mainly focus on the distribution of electronic components. Line cards we deal with include Microchip,ALPS,ROHM,Xilinx,Pulse,ON,Everlight and Freescale. Main products comprise IC,Modules,Potentiometer,IC Socket,Relay,Connector.Our parts cover such applications as commercial,industrial, and automotives areas.

We are looking forward to setting up business relationship with you and hope to provide you with the best service and solution. Let us make a better world for our industry!



Contact us

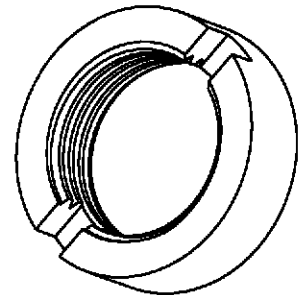
Tel: +86-755-8981 8866 Fax: +86-755-8427 6832

Email & Skype: info@chipsmall.com Web: www.chipsmall.com

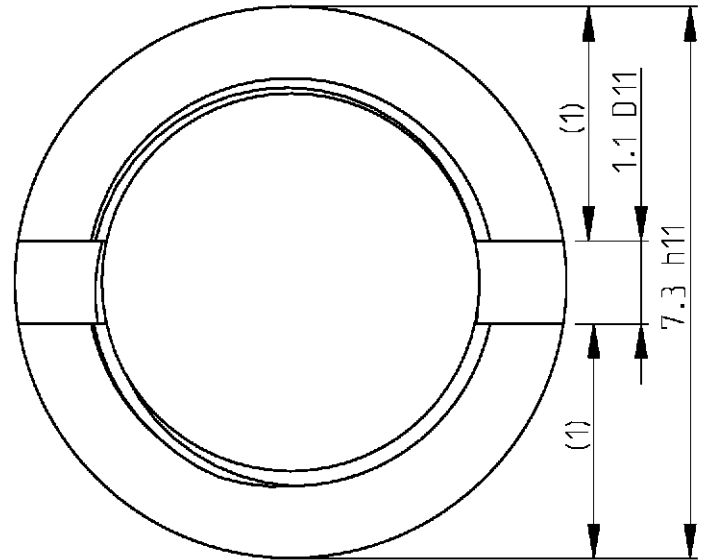
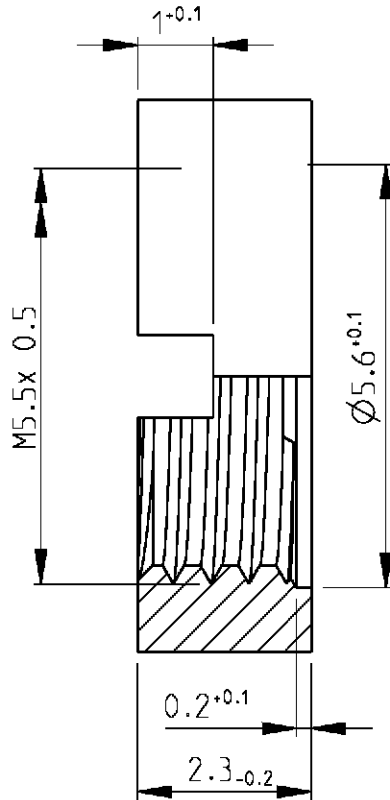
Address: A1208, Overseas Decoration Building, #122 Zhenhua RD., Futian, Shenzhen, China



LOC	DIST	REVISIONS				
P	LTR	DESCRIPTION	DATE	DWN	APVD	
GW	-	A	-	18APR2001	BL	KM



5:1



1:1



Cross reference table		
Old part number	Tyco part number	Plating
C42334-A285-C7	1-1393562-7	Ni

2000

RELEASED FOR PUBLICATION

THIS DRAWING IS UNPUBLISHED.

BY TYCO ELECTRONICS CORPORATION. ALL RIGHTS RESERVED.

© COPYRIGHT 2000

DIMENSIONS: mm	DWN	18APR2001	MATERIAL	-	FINISH	-	
	CHR	B. Lenvain	Tyco Electronics Oostkamp - Belgium				
TOLERANCES UNLESS OTHERWISE SPECIFIED:	APVD	K. Mattheeuws					
	0 PLC	±	PRODUCT SPEC	NAME			Nut
1 PLC	±	-	APPLICATION SPEC	SIZE	CAGE CODE	DRAWING NO	RESTRICTED TO
2 PLC	±	-	WEIGHT	A 4	00779	©=1-1393562-7	-
3 PLC	±	-	CUSTOMER DRAWING	SCALE	5/1	SHEET 1 OF 1	REV A
4 PLC	±	-					
ANGLES	±	-					