



Chipsmall Limited consists of a professional team with an average of over 10 year of expertise in the distribution of electronic components. Based in Hongkong, we have already established firm and mutual-benefit business relationships with customers from,Europe,America and south Asia,supplying obsolete and hard-to-find components to meet their specific needs.

With the principle of “Quality Parts,Customers Priority,Honest Operation,and Considerate Service”,our business mainly focus on the distribution of electronic components. Line cards we deal with include Microchip,ALPS,ROHM,Xilinx,Pulse,ON,Everlight and Freescale. Main products comprise IC,Modules,Potentiometer,IC Socket,Relay,Connector.Our parts cover such applications as commercial,industrial, and automotives areas.

We are looking forward to setting up business relationship with you and hope to provide you with the best service and solution. Let us make a better world for our industry!



Contact us

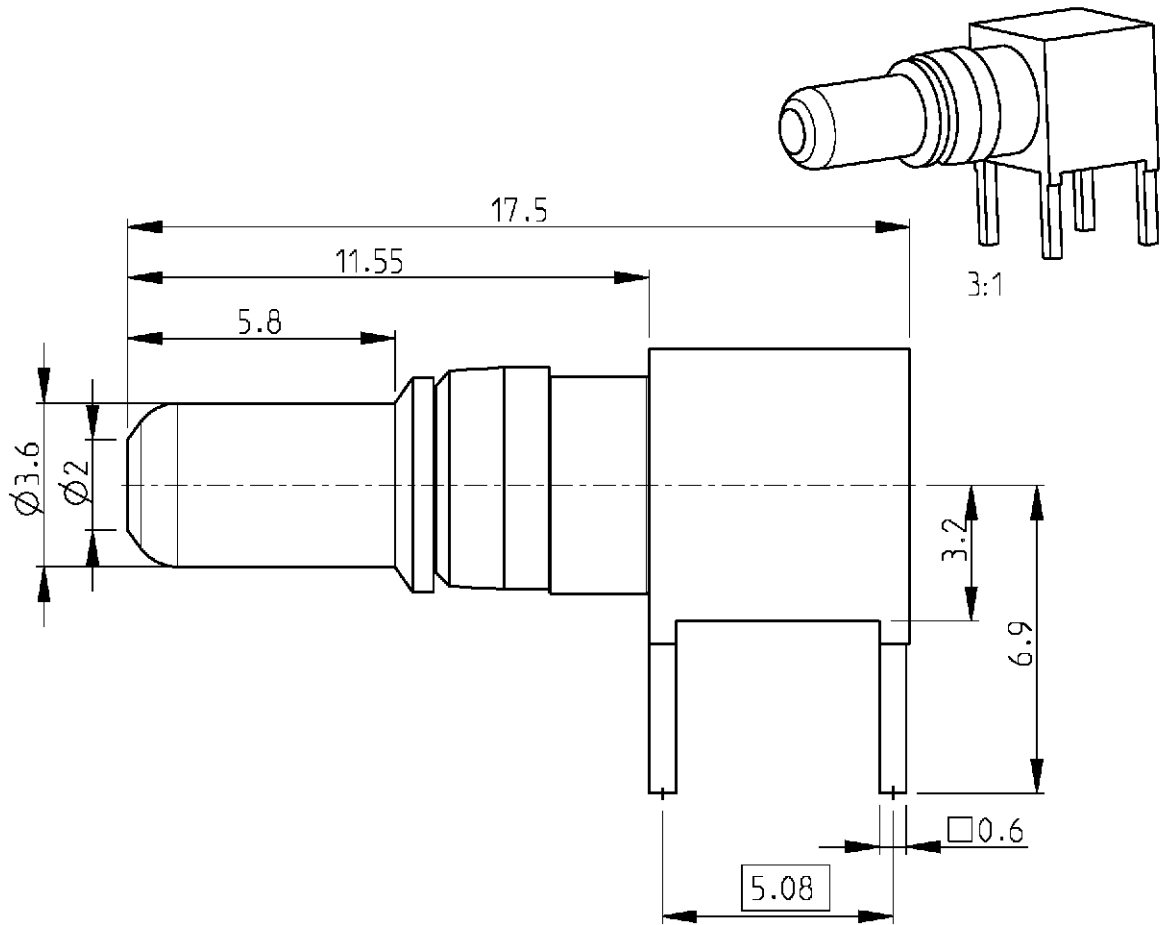
Tel: +86-755-8981 8866 Fax: +86-755-8427 6832

Email & Skype: info@chipsmall.com Web: www.chipsmall.com

Address: A1208, Overseas Decoration Building, #122 Zhenhua RD., Futian, Shenzhen, China



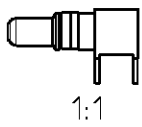
LOC	DIST	REVISIONS				
P	LTR	DESCRIPTION	DATE	DWN	APVD	
GW	-	A	-	19APR2001	BL	KM



2) All dimensions are max unless otherwise specified.

1) Application : DIN 41612 type M.

Cross reference table				
Old part number	Tyco part number	Current	Material	Plating
C42334-A347-A102	1-1393589-8	25 A	Brass	1 μ m Au or PD in contact area



2000
RELEASED FOR PUBLICATION

THIS DRAWING IS UNPUBLISHED.
COPYRIGHT 2000 BY TYCO ELECTRONICS CORPORATION. ALL RIGHTS RESERVED.

DIMENSIONS: mm	DWN	B. Lenvain	19APR2001	MATERIAL	-	FINISH	-
	CHR	K. Mattheeuws	19APR2001	Tyco Electronics Oostkamp - Belgium			
TOLERANCES UNLESS OTHERWISE SPECIFIED:	APVD	R. Leeman	19APR2001				
0 PLC \pm	PRODUCT SPEC	NAME					
1 PLC \pm		High current plug with PCB connection					
2 PLC \pm	APPLICATION SPEC	SIZE	CAGE CODE	DRAWING NO	RESTRICTED TO		
3 PLC \pm		A 4	00779	C=1-1393589-8	-		
4 PLC \pm	WEIGHT	CUSTOMER DRAWING					
ANGLES \pm		SCALE	6/1	SHEET	1	OF	1
		REV A					