



Chipsmall Limited consists of a professional team with an average of over 10 year of expertise in the distribution of electronic components. Based in Hongkong, we have already established firm and mutual-benefit business relationships with customers from,Europe,America and south Asia,supplying obsolete and hard-to-find components to meet their specific needs.

With the principle of “Quality Parts,Customers Priority,Honest Operation,and Considerate Service”,our business mainly focus on the distribution of electronic components. Line cards we deal with include Microchip,ALPS,ROHM,Xilinx,Pulse,ON,Everlight and Freescale. Main products comprise IC,Modules,Potentiometer,IC Socket,Relay,Connector.Our parts cover such applications as commercial,industrial, and automotives areas.

We are looking forward to setting up business relationship with you and hope to provide you with the best service and solution. Let us make a better world for our industry!



## Contact us

Tel: +86-755-8981 8866 Fax: +86-755-8427 6832

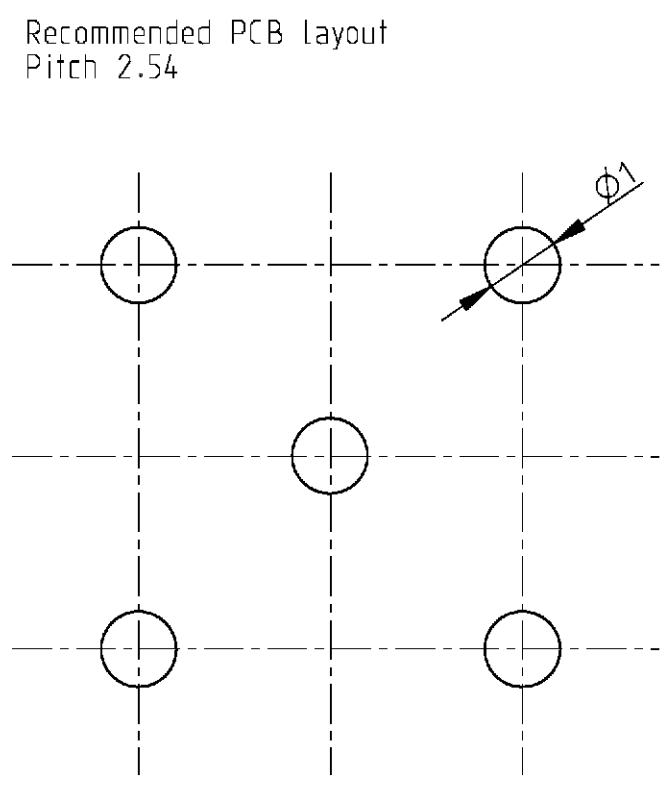
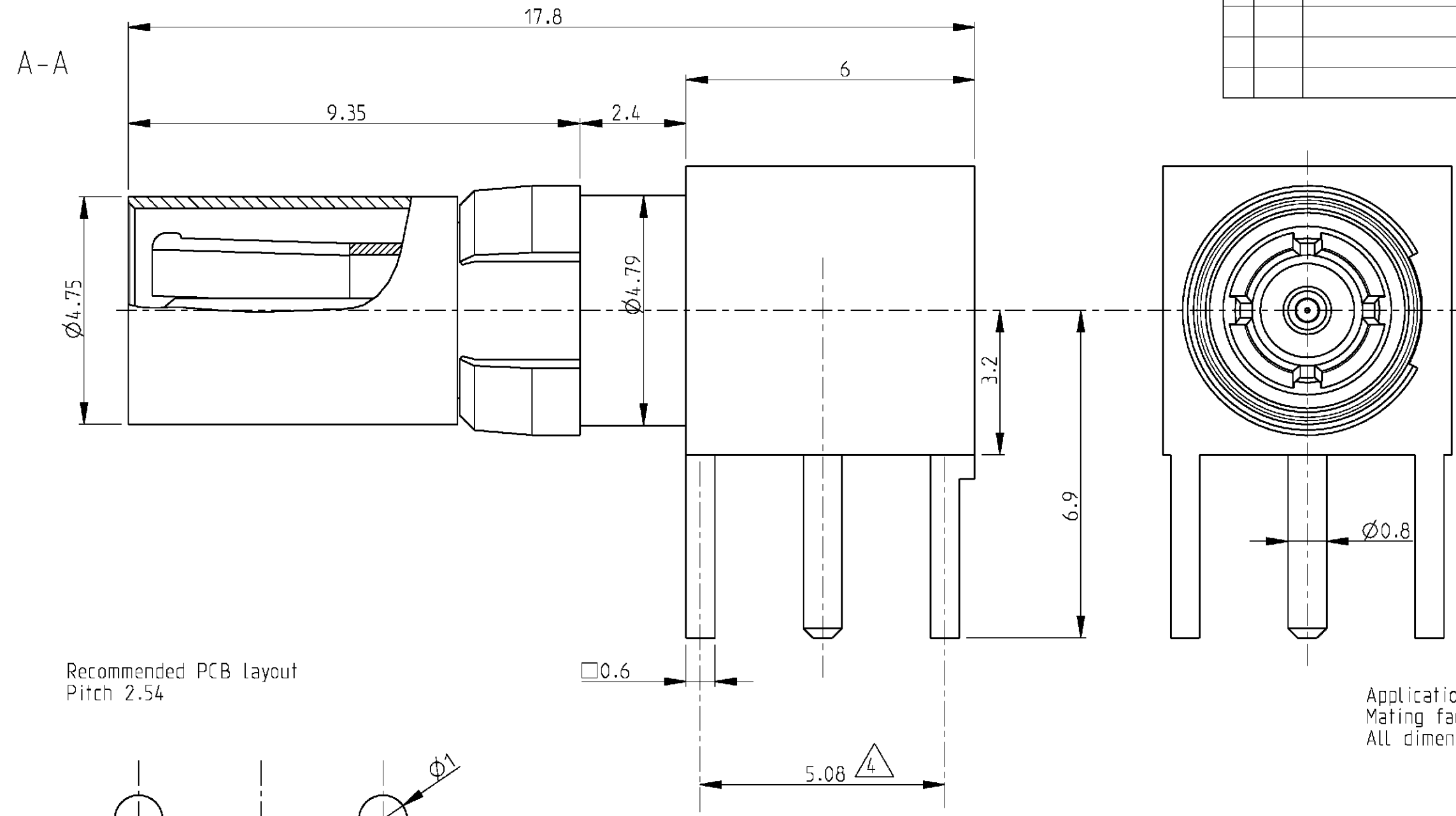
Email & Skype: info@chipsmall.com Web: www.chipsmall.com

Address: A1208, Overseas Decoration Building, #122 Zhenhua RD., Futian, Shenzhen, China



THIS DRAWING IS UNPUBLISHED. RELEASED FOR PUBLICATION 2000  
 © COPYRIGHT 2000 BY TYCO ELECTRONICS CORPORATION. ALL RIGHTS RESERVED.

LOC	DIST	REVISIONS			
P	LTR	DESCRIPTION	DATE	DWN	APVD
GW	-	A1	SR10-0146-01	09APR2001	CM KM



Application : female connectors : DIN41612  
 Mating face according to DIN 41612 , Part 2  
 All dimensions are max. dimensions

V23601-A1127-E1	1-1393662-2	Dielectric	PTFE	
		Outer Con.	Cu Be	1µm Au min in contact area
		Center Con.	Brass	1µm Au min in contact area
Old Nr	Tyco Nr	Description	Material	Plating

DIMENSIONS:		TOLERANCES UNLESS OTHERWISE SPECIFIED:		Tyco Electronics	
mm				Dostkamp - Belgium	
	0 PLC	±		<b>tyco</b> <b>Electronics</b>	NAME BULKHEAD ANGLE PLUG WITH PCB CONNECTION 1.0/2.3 INSERT 50 Ohm
	1 PLC	±0.5			
	2 PLC	±0.13			
	3 PLC	±0.013			
	4 PLC	±0.0001		SIZE	A3
	ANGLES	±		CAGE CODE	00779
MATERIAL	-	FINISH	-	DRAWING NO	1-1393662-2
RESTRICTED CUSTOMER				WEIGHT	-
				RESTRICTED TO	-
				SCALE	10/1
				SHEET	1 OF 1
				REV	A1

