



Chipsmall Limited consists of a professional team with an average of over 10 year of expertise in the distribution of electronic components. Based in Hongkong, we have already established firm and mutual-benefit business relationships with customers from,Europe,America and south Asia,supplying obsolete and hard-to-find components to meet their specific needs.

With the principle of "Quality Parts,Customers Priority,Honest Operation,and Considerate Service",our business mainly focus on the distribution of electronic components. Line cards we deal with include Microchip,ALPS,ROHM,Xilinx,Pulse,ON,Everlight and Freescale. Main products comprise IC,Modules,Potentiometer,IC Socket,Relay,Connector.Our parts cover such applications as commercial,industrial, and automotives areas.

We are looking forward to setting up business relationship with you and hope to provide you with the best service and solution. Let us make a better world for our industry!



Contact us

Tel: +86-755-8981 8866 Fax: +86-755-8427 6832

Email & Skype: info@chipsmall.com Web: www.chipsmall.com

Address: A1208, Overseas Decoration Building, #122 Zhenhua RD., Futian, Shenzhen, China



THIS DRAWING IS UNPUBLISHED.

RELEASED FOR PUBLICATION

© COPYRIGHT

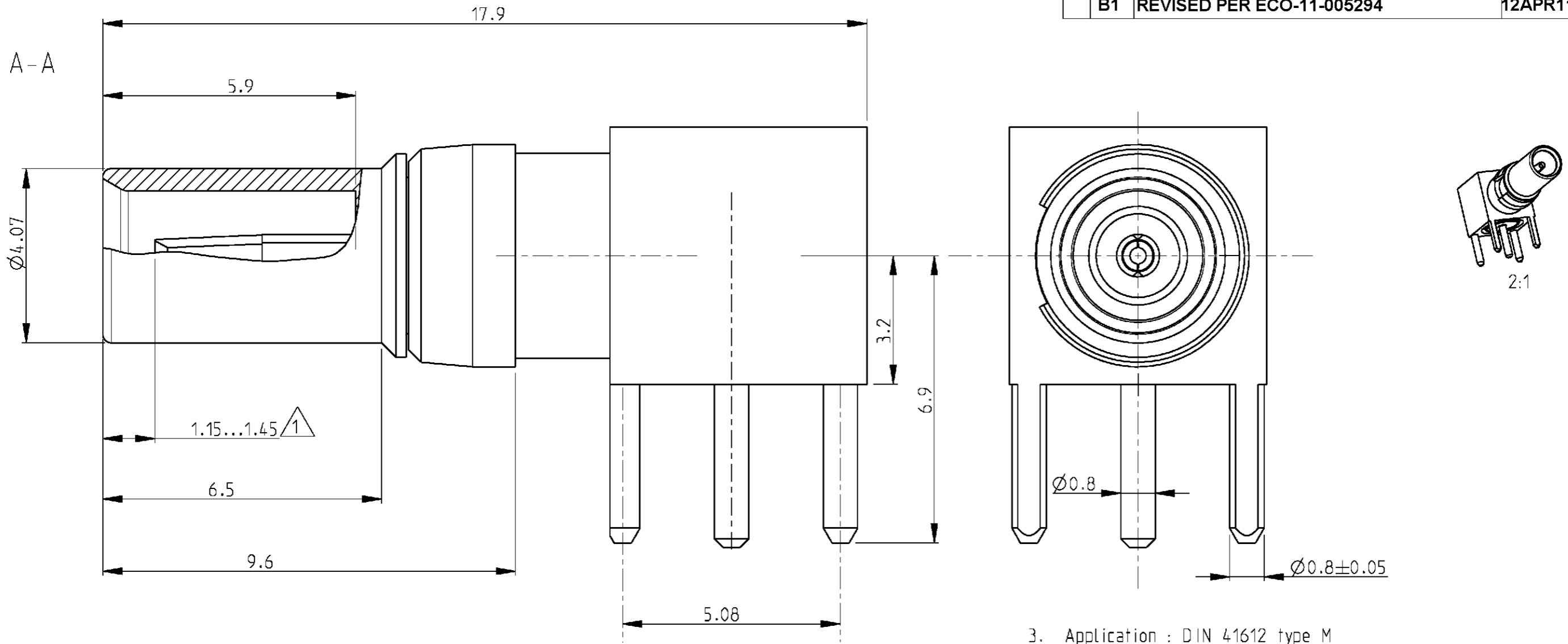
ALL RIGHTS RESERVED.

LOC
GW

DIST
-

REVISIONS

P	LTR	DESCRIPTION	DATE	DWN	APVD
B1		REVISED PER ECO-11-005294	12APR11	RK	HMR

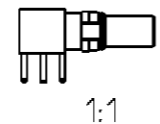


- 3. Application : DIN 41612 type M
- 2. Mating face according to DIN 41626 , Part 2


△ Control dimension

All dimensions are max dimensions unless otherwise specified

V23601-A1227-E1	1-1393662-4	Dielectric	PTFE	
		Outer Con.	Brass	1µm Au min in contact area
		Center Con.	Cu Be	1µm Au min in contact area
Old Nr	TE CONNECTIVITY Nr	Description	Material	Plating



1:1

DWN MOROBE 04APR2001		 TE Connectivity	
CHK MATTHEEUWS 9APR2001			
APVD LEEMAN 9APR2001		NAME	
PRODUCT SPEC 108-71032		BULKHEAD ANGLE JACK WITH PCB CONNECTION	
APPLICATION SPEC		1.0/2.3 INSERT 50 Ohm	
WEIGHT -		SIZE A3	RESTRICTED TO -
		CAGE CODE 00779	DRAWING NO 1-1393662-4
		SCALE 10/1	SHEET 1 OF 1
		REV B1	

DIMENSIONS:	TOLERANCES UNLESS OTHERWISE SPECIFIED:
mm	
0 PLC	±0.5
1 PLC	±0.13
2 PLC	±0.013
3 PLC	±0.0001
4 PLC	±
ANGLES	±
MATERIAL -	FINISH -