



Chipsmall Limited consists of a professional team with an average of over 10 year of expertise in the distribution of electronic components. Based in Hongkong, we have already established firm and mutual-benefit business relationships with customers from,Europe,America and south Asia,supplying obsolete and hard-to-find components to meet their specific needs.

With the principle of “Quality Parts,Customers Priority,Honest Operation,and Considerate Service”,our business mainly focus on the distribution of electronic components. Line cards we deal with include Microchip,ALPS,ROHM,Xilinx,Pulse,ON,Everlight and Freescale. Main products comprise IC,Modules,Potentiometer,IC Socket,Relay,Connector.Our parts cover such applications as commercial,industrial, and automotives areas.

We are looking forward to setting up business relationship with you and hope to provide you with the best service and solution. Let us make a better world for our industry!



Contact us

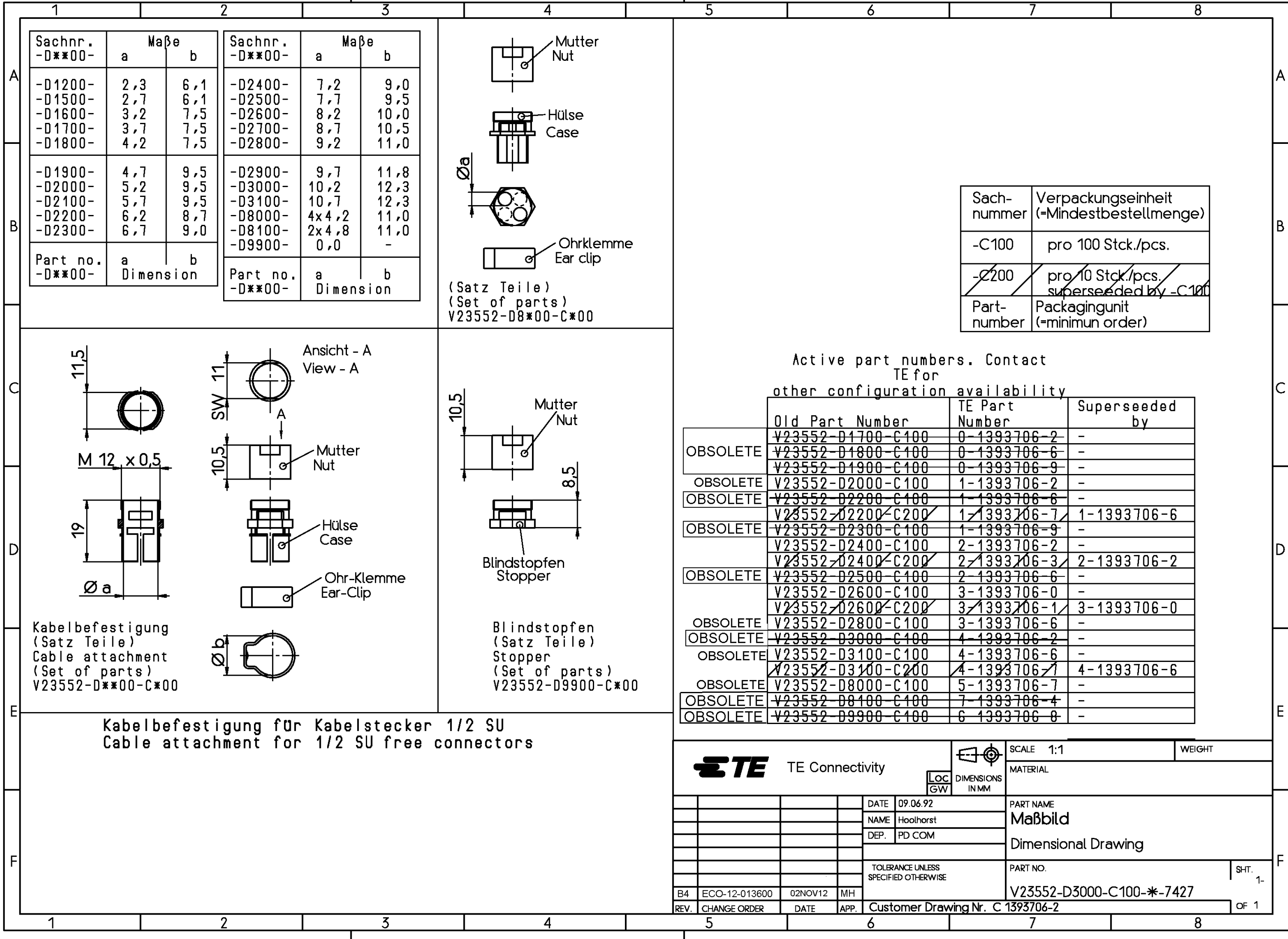
Tel: +86-755-8981 8866 Fax: +86-755-8427 6832

Email & Skype: info@chipsmall.com Web: www.chipsmall.com

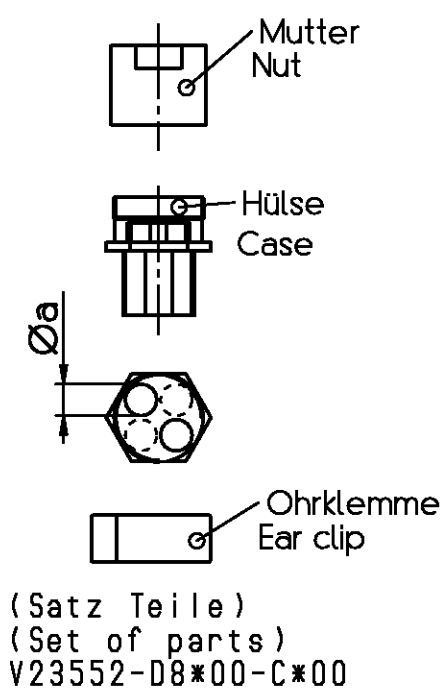
Address: A1208, Overseas Decoration Building, #122 Zhenhua RD., Futian, Shenzhen, China



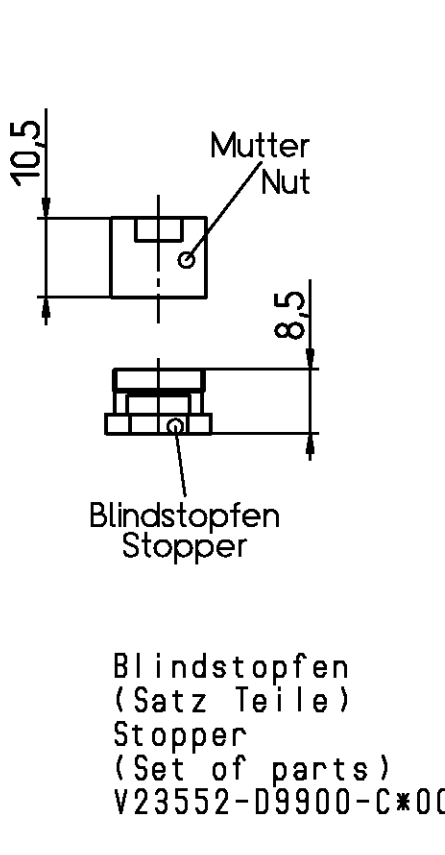
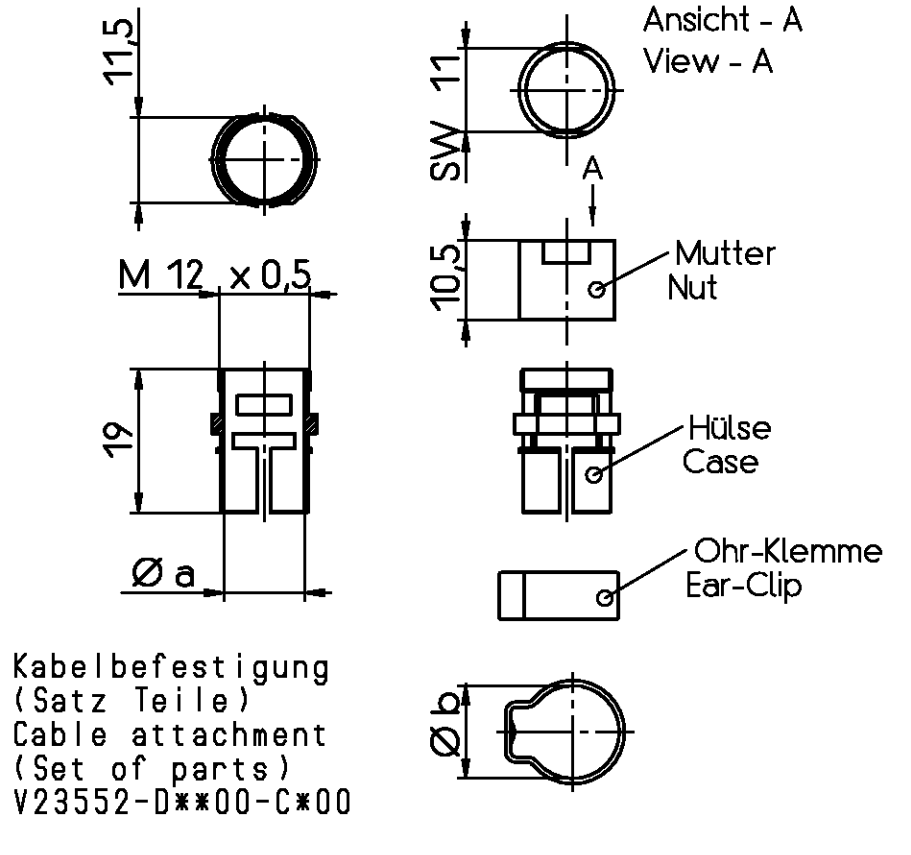
THIS DRAWING IS A CONTROLLED DOCUMENT.



Sachnr. -D**00-	Maße		Sachnr. -D**00-	Maße	
	a	b		a	b
-D1200-	2,3	6,1	-D2400-	7,2	9,0
-D1500-	2,7	6,1	-D2500-	7,7	9,5
-D1600-	3,2	7,5	-D2600-	8,2	10,0
-D1700-	3,7	7,5	-D2700-	8,7	10,5
-D1800-	4,2	7,5	-D2800-	9,2	11,0
-D1900-	4,7	9,5	-D2900-	9,7	11,8
-D2000-	5,2	9,5	-D3000-	10,2	12,3
-D2100-	5,7	9,5	-D3100-	10,7	12,3
-D2200-	6,2	8,7	-D8000-	4x4,2	11,0
-D2300-	6,7	9,0	-D8100-	2x4,8	11,0
-D9900-			-D9900-	0,0	-
Part no. -D**00-	a	b	Part no. -D**00-	a	b
	Dimension			Dimension	



Sachnummer	Verpackungseinheit (=Mindestbestellmenge)
-C100	pro 100 Stck./pcs.
-C200	pro 10 Stck./pcs. superseceded by -C100
Part-number	Packagingunit (=minimun order)



Kabelbefestigung für Kabelstecker 1/2 SU
Cable attachment for 1/2 SU free connectors

Active part numbers. Contact TE for other configuration availability

	Old Part Number	TE Part Number	Superseceded by
OBSOLETE	V23552-D1700-C100	0-1393706-2	-
OBSOLETE	V23552-D1800-C100	0-1393706-6	-
OBSOLETE	V23552-D1900-C100	0-1393706-9	-
OBSOLETE	V23552-D2000-C100	1-1393706-2	-
OBSOLETE	V23552-D2200-C100	1-1393706-6	-
OBSOLETE	V23552-D2200-C200	1-1393706-7	1-1393706-6
OBSOLETE	V23552-D2300-C100	1-1393706-9	-
OBSOLETE	V23552-D2400-C100	2-1393706-2	-
OBSOLETE	V23552-D2400-C200	2-1393706-3	2-1393706-2
OBSOLETE	V23552-D2500-C100	2-1393706-6	-
OBSOLETE	V23552-D2600-C100	3-1393706-0	-
OBSOLETE	V23552-D2600-C200	3-1393706-1	3-1393706-0
OBSOLETE	V23552-D2800-C100	3-1393706-6	-
OBSOLETE	V23552-D3000-C100	4-1393706-2	-
OBSOLETE	V23552-D3100-C100	4-1393706-6	-
OBSOLETE	V23552-D3100-C200	4-1393706-7	4-1393706-6
OBSOLETE	V23552-D8000-C100	5-1393706-7	-
OBSOLETE	V23552-D8100-C100	7-1393706-4	-
OBSOLETE	V23552-D9900-C100	6-1393706-8	-

TE TE Connectivity		SCALE 1:1	WEIGHT
LOC GW DIMENSIONS IN MM		MATERIAL	
DATE	09.06.92	PART NAME	
NAME	Hoolhorst	Maßbild	
DEP.	PD COM	Dimensional Drawing	
TOLERANCE UNLESS SPECIFIED OTHERWISE		PART NO.	SHT. 1-
B4 ECO-12-013600 02NOV12 MH		V23552-D3000-C100-*7427	
REV.	CHANGE ORDER	DATE	APP.
Customer Drawing Nr. C 1393706-2		OF 1	