



Chipsmall Limited consists of a professional team with an average of over 10 year of expertise in the distribution of electronic components. Based in Hongkong, we have already established firm and mutual-benefit business relationships with customers from,Europe,America and south Asia,supplying obsolete and hard-to-find components to meet their specific needs.

With the principle of “Quality Parts,Customers Priority,Honest Operation,and Considerate Service”,our business mainly focus on the distribution of electronic components. Line cards we deal with include Microchip,ALPS,ROHM,Xilinx,Pulse,ON,Everlight and Freescale. Main products comprise IC,Modules,Potentiometer,IC Socket,Relay,Connector.Our parts cover such applications as commercial,industrial, and automotives areas.

We are looking forward to setting up business relationship with you and hope to provide you with the best service and solution. Let us make a better world for our industry!



Contact us

Tel: +86-755-8981 8866 Fax: +86-755-8427 6832

Email & Skype: info@chipsmall.com Web: www.chipsmall.com

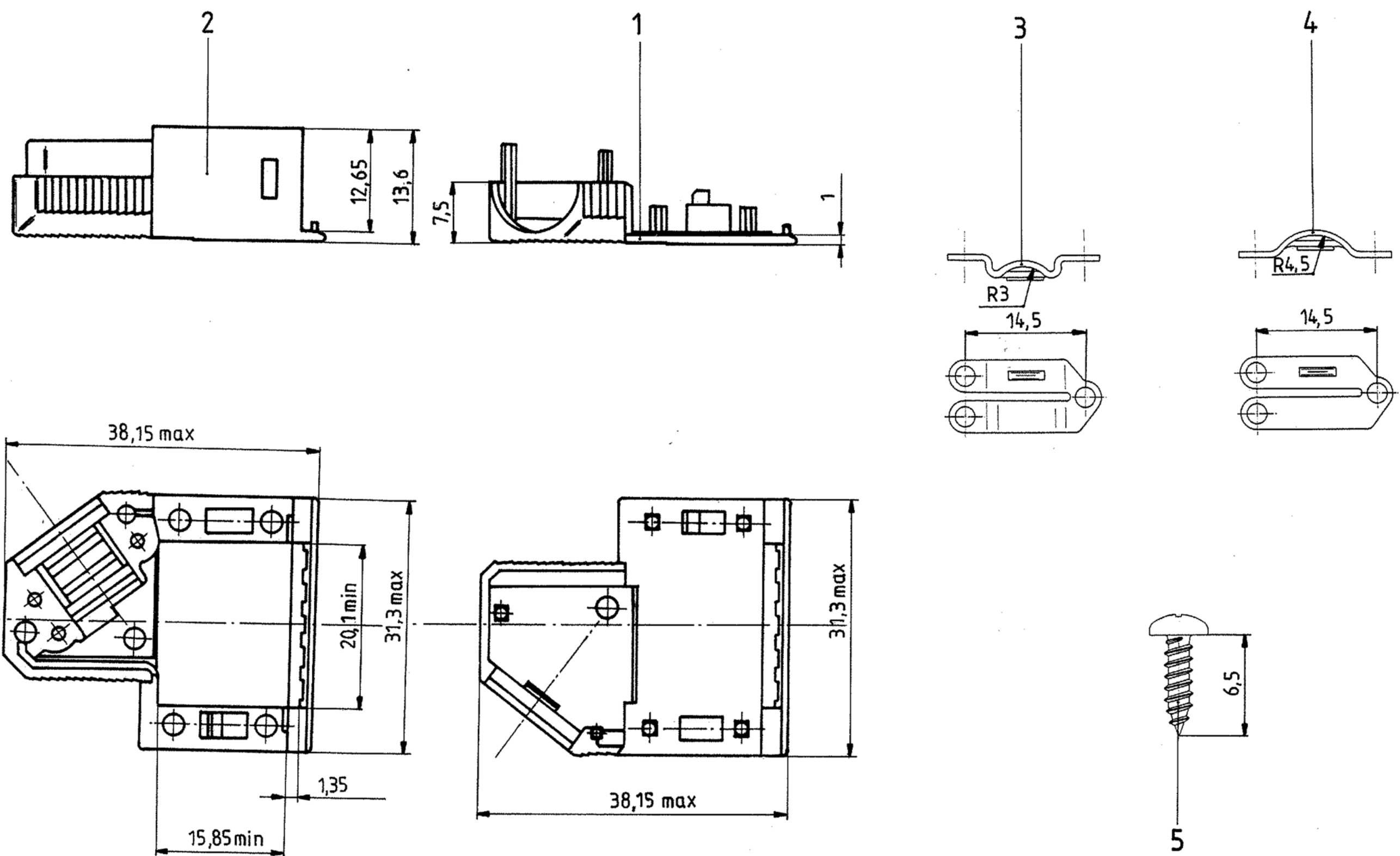
Address: A1208, Overseas Decoration Building, #122 Zhenhua RD., Futian, Shenzhen, China



Sin nuestra expresa autorización, queda terminantemente prohibida la reproducción total o parcial de este documento, así como su uso indebido y/o su exhibición o comunicación a terceros. De los infractores se exigirá el correspondiente resarcimiento de daños y perjuicios. Se reserva todos los derechos para el caso de la concesión de patente de invención o el registro de Modelo Industrial.

Weitergabe sowie Vervielfältigung dieser Unterlage, Verwertung und Mitteilung ihres Inhalts nicht gestattet, soweit nicht ausdrücklich zugelassen. Zuwiderhandlungen verpflichten zu Schadenersatz. Alle Rechte für den Fall der Patenterteilung oder GM-Eintragung vorbehalten.

Copying of this document, and giving it to others and the use or communication of the contents thereof, are forbidden without express authority. Offenders are liable to the payment of damages. All rights are reserved in the event of the grant of a patent or the registration of a utility model or design.



P/N 9 contacts version: V42254-A6000-K*09

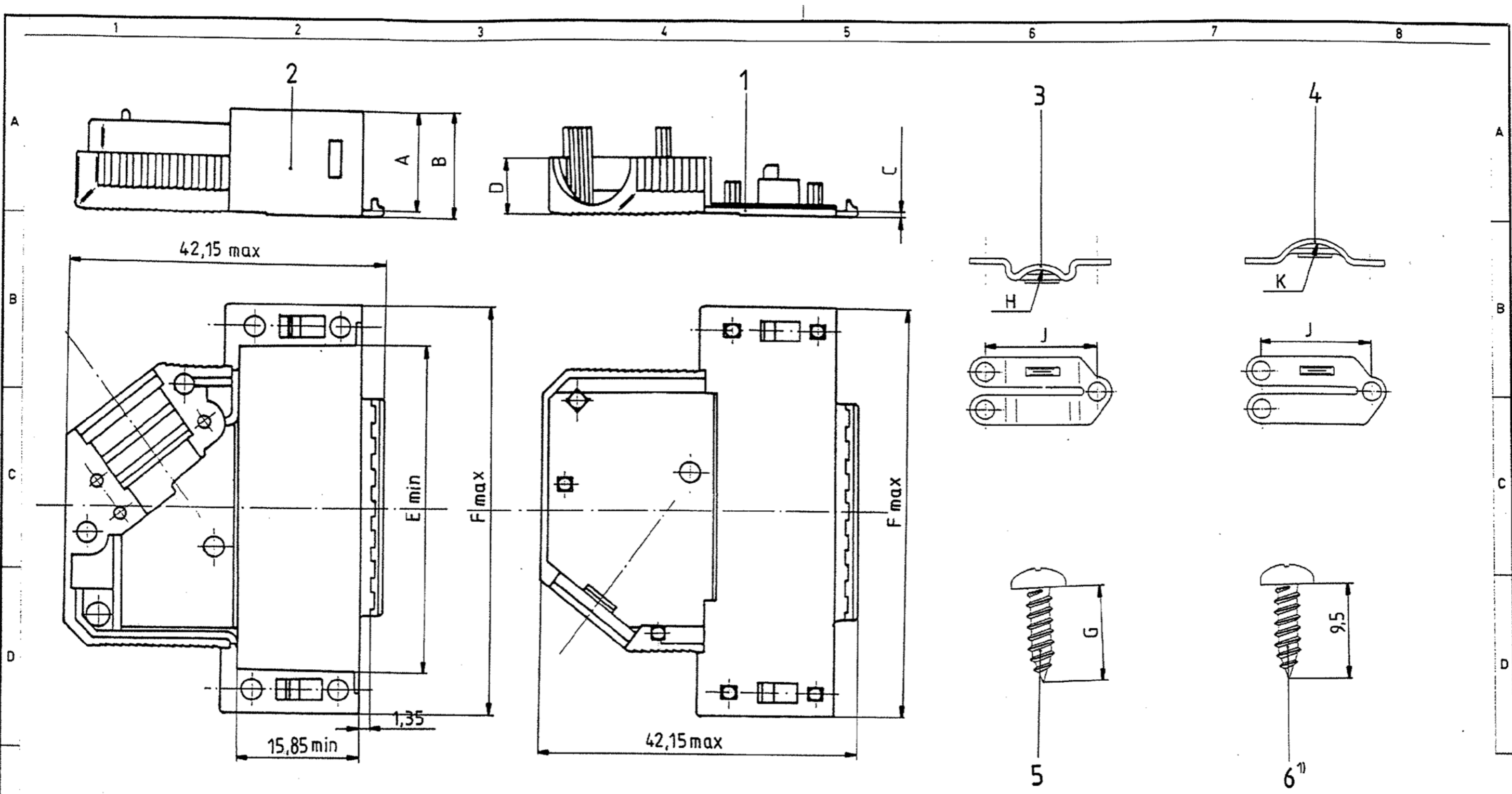
- 1 FOR PLASTIC PARTS (POS. 1 AND 2):
 - LENGTHS: DIN 16901/130,
 - ANGLES, FORMS: DIN 7168-m, R,
 FOR METAL PARTS (POS. 3 AND 4): DIN 7168-m,
 FOR SCREWS (POS. 5 AND 6): DIN 7981 F-H.

						Maßstab Tyco Electronics Corporation Oostkamp - Belgium	
B	ECO-12-008266	24AUG12	CV	DATE	26.03.87	D-Sub Housing unshielded 9 contacts	
A2	ECR-10-017904	09DEC10	RK	NAME	De Petter		
A1	ECR-09-024033	16-02-10	RK	APP.	PD Com P&SE		
A	WO00/7013	03.07.00	KV				
03	WB89/176	27.06.89	VH	TOLERANCES UNLESS OTHERWISE SPECIFIED:		V42254-A6000-K***-*-27 customer drawing number: C 1-1393738-0	
02	WB88/166	15.09.88					
01		02.05.88				SHT.	1+
Zust	Mitteilung	Datum	Name			OF	4

da la reproducción total o parcial de este documento, así como su uso indebido y/o su explotación o comunicación a terceros. De los infractores se exigirá el correspondiente resarcimiento de daños y perjuicios. Se reserva todos los derechos para el caso de la concesión de patente de invención o el registro de Modelo Industrial.

Weitergabe sowie Vervielfältigung dieses Dokuments, Verbreitung und Mitteilung, auch auszugsweise, ist ohne schriftliche Genehmigung der Tyco Electronics Corporation. Alle Rechte vorbehalten.

Copying of this document and using it in others and the use or communication of the contents thereof, are prohibited without express authority. Offenders are liable to the payment of damages. All rights are reserved in the event of the grant of a patent or the registration of a utility model or design.



housing		dimension									
P/N	No. of contacts	A	B	C	D	E	F	G	H	J	K
V42254-A6000-											
K x 15	15					28,4	39,62		R3	14,5	R4,5
K x 25	25	13	14	1	7,5	42,2	53,52	6,5	R4	16	R5,5
K x 37	37					58,65	69,8				
K x 50	50	16	17,5	1,5	9,5	56,18	67,41	9,5	R5,5	20,6	R7

1) only for the 37 contacts version
drawn is the 25 contacts version

 Tyco Electronics Corporation Oostkamp - Belgium		DATE 26.03.87	
		NAME De Petter	
		APP. PD Com P&SE	
D-Sub Housing unshielded 15 to 50 contacts			
TOLERANCES UNLESS OTHERWISE SPECIFIED:			 1
B	SEE SHEET 1.		
Zust	Mittelung	Datum	Name
V42254-A6000-K***-27			SHT. 2-

customer drawing number: C 1-1393738-0 OF 4

V 4 2 2 5 4 - A 6 0 0 * - K * * *

Housing type
K plastic housing, unshielded

Marking and colour of the housing

1	TE-marking, grey
2	without marking, grey
3	TE-marking, black
4	without marking, black

wire diameter	0	1	2	3	4 ³⁾	No. of contacts - housing size
	4-8	4-6	6-8		4-8	
5-10	5-8	8-10		5-10	15	15 contacts - housing size 2
5-11	5-8,5	8,5-1		5-11	25	25 contacts - housing size 3
6-11	6-8	8-10	10-11	6-11	37	37 contacts - housing size 4
9-14,5	9-12	12-14,5		9-14,5	50	50 contacts - housing size 5

Packaging

set 1)	200	200	200	200
	2)	2)	2)	2)

1) per set, in blister
 - 9 and 15 contacts : 25
 - 25, 37 and 50 contacts : 15
 2) loose pieces, in cardboard : 200
 3) only for : - V42254-A6004-G1**
 - V42254-A6004-+4**



Tyco Electronics Corporation
Oostkamp - Belgium



LOC DIMENSIONS IN MM
GW

SCALE WEIGHT

MATERIAL

PART NAME
D-Sub Housing
unshielded

PART NO. SHT. 3+

V42254-A6000-K***-*-27

DATE	26.03.87
NAME	De Petter
DEP.	PD Com P&SE
EC	
TOLERANCE UNLESS SPECIFIED OTHERWISE	

REV. CHANGE ORDER DATE APP. customer drawing number: C 1-1393738-0

THIS INFORMATION IS CONFIDENTIAL AND PROPRIETARY TO TYCO ELECTRONICS CORPORATION AND ITS WORLDWIDE SUBSIDIARIES AND AFFILIATES. IT MAY NOT BE DISCLOSED TO ANYONE, OTHER THAN TYCO ELECTRONICS PERSONNEL, WITHOUT WRITTEN AUTHORIZATION FROM TYCO ELECTRONICS CORPORATION, HARRISBURG, PENNSYLVANIA USA.

PROPRIETARY:



1 2 3 4

1 2 3 4

Active part numbers. Contact Tyco Electronics for other configuration availability

Old Part Number	TE Part Number	
V42254-A6000-K109	1-1393738-0	
V42254-A6000-K115	1-1393738-1	
V42254-A6000-K125	1-1393738-2	
V42254-A6000-K137	1-1393738-3	
V42254-A6000-K150	1-1393738-4	OBSOLETE
V42254-A6000-K315	1-1393738-6	
V42254-A6001-K125	4-1393738-7	SUPERSEDED BY 1-1393738-2
V42254-A6004-K109	7-1393738-3	OBSOLETE
V42254-A6004-K115	7-1393738-4	OBSOLETE
V42254-A6004-K137	7-1393738-6	OBSOLETE
V42254-A6004-K150	7-1393738-7	
V42254-A6004-K309	1-1393739-5	SUPERSEDED BY 1-1393738-0, 5-1393738-3
V42254-A6004-K315	7-1393738-8	OBSOLETE
V42254-A6004-K325	1-1393739-6	OBSOLETE
V42254-A6004-K337	1-1393739-7	SUPERSEDED BY 1-1393738-3
V42254-A6004-K350	1-1393739-8	SUPERSEDED BY 1-1393738-4
V42254-A6004-K409	7-1393738-9	OBSOLETE
V42254-A6004-K415	8-1393738-0	OBSOLETE
V42254-A6004-K425	8-1393738-1	OBSOLETE
V42254-A6004-K450	8-1393738-2	OBSOLETE

A
B
C
D
E

		Tyco Electronics Corporation Oostkamp - Belgium		 DIMENSIONS IN MM		SCALE		WEIGHT	
		DATE 26.03.87				MATERIAL			
		NAME De Petter				PART NAME			
		DEP. PD Com P&SE				D-Sub Housing			
		EC				unshielded			
		TOLERANCE UNLESS SPECIFIED OTHERWISE				PART NO.		SHT. 4-	
B SEE SHEET 1						V42254-A6000-K***-*-27			
REV. CHANGE ORDER		DATE		APP.		customer drawing number: C 1-1393738-0		OF 4	

1 2 3 4

THIS INFORMATION IS CONFIDENTIAL AND PROPRIETARY TO TYCO ELECTRONICS CORPORATION AND ITS WORLDWIDE SUBSIDIARIES AND AFFILIATES. IT MAY NOT BE DISCLOSED TO ANYONE, OTHER THAN TYCO ELECTRONICS PERSONNEL, WITHOUT WRITTEN AUTHORIZATION FROM TYCO ELECTRONICS CORPORATION, HARRISBURG, PENNSYLVANIA USA.

PROPRIETARY:

F