



Chipsmall Limited consists of a professional team with an average of over 10 year of expertise in the distribution of electronic components. Based in Hongkong, we have already established firm and mutual-benefit business relationships with customers from,Europe,America and south Asia,supplying obsolete and hard-to-find components to meet their specific needs.

With the principle of "Quality Parts,Customers Priority,Honest Operation,and Considerate Service",our business mainly focus on the distribution of electronic components. Line cards we deal with include Microchip,ALPS,ROHM,Xilinx,Pulse,ON,Everlight and Freescale. Main products comprise IC,Modules,Potentiometer,IC Socket,Relay,Connector.Our parts cover such applications as commercial,industrial, and automotives areas.

We are looking forward to setting up business relationship with you and hope to provide you with the best service and solution. Let us make a better world for our industry!



## Contact us

Tel: +86-755-8981 8866 Fax: +86-755-8427 6832

Email & Skype: info@chipsmall.com Web: www.chipsmall.com

Address: A1208, Overseas Decoration Building, #122 Zhenhua RD., Futian, Shenzhen, China



**MICON 5 - THT Standard****1.14.002.006/0000****Dimensions**

Length of housing	6.4 mm
Width of housing	5.1 mm
Overall height	3.85 mm

**Mechanical design**

Mounting	soldering
Terminals	THT
Contact system	snap-action contact
Contact arrangement	1 NO
Contact materials	Au
Illumination	no

**Mechanical characteristics**

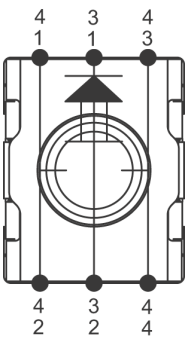
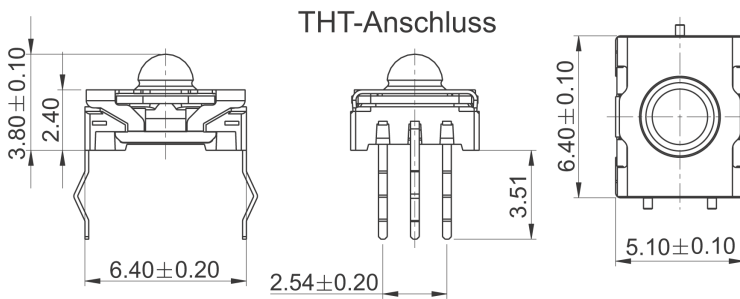
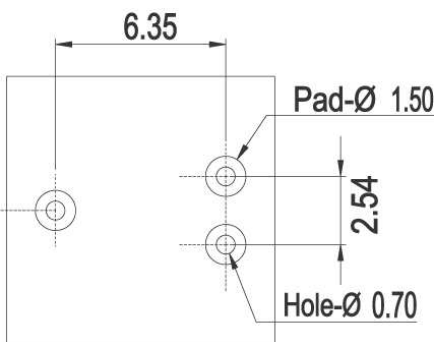
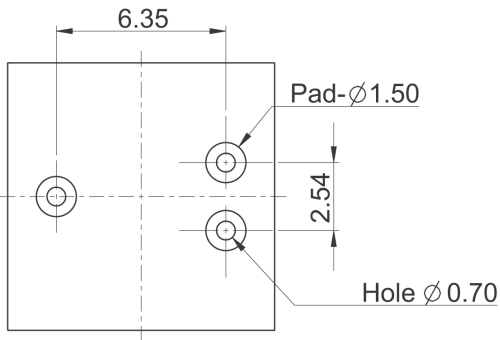
Operating force F1 ( $\pm 20\%$ )	3.6 N
Switching travel S2 ( $\pm 0.15$ mm)	0.8 mm

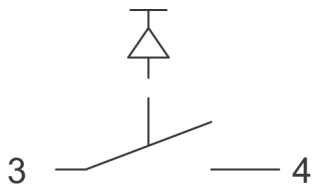
**Electrical characteristics**

Rated voltage min.	0.02 V
Rated voltage max.	35 V
Rated current min.	0.01 mA
Rated current max.	100 mA
Rated power max. (ohmic load)	1 W
Contact resistance when new	? 100 m $\Omega$
Rated voltage resistance AC	250 V
Insulation resistance	10 <sup>9</sup> $\Omega$

**Other specifications**

Ambient temp. operating min.	-40 °C
Ambient temp. operating max.	+90 °C
Resistance to environment	IEC 60068-2 -14,-30,-33, -78
Operating life (test force)	250,000 (6 N)
Solder heat resistance / Solderability	DIN EN 60068-2-20
Flammability of materials	UL 94 V1
Packing	tubes à 102 pieces
Produkt type	Q
ROHS compliant	yes
REACH compliant	yes





Schaltzeichen  
nach IEC  
617

