



Chipsmall Limited consists of a professional team with an average of over 10 year of expertise in the distribution of electronic components. Based in Hongkong, we have already established firm and mutual-benefit business relationships with customers from,Europe,America and south Asia,supplying obsolete and hard-to-find components to meet their specific needs.

With the principle of "Quality Parts,Customers Priority,Honest Operation,and Considerate Service",our business mainly focus on the distribution of electronic components. Line cards we deal with include Microchip,ALPS,ROHM,Xilinx,Pulse,ON,Everlight and Freescale. Main products comprise IC,Modules,Potentiometer,IC Socket,Relay,Connector.Our parts cover such applications as commercial,industrial, and automotives areas.

We are looking forward to setting up business relationship with you and hope to provide you with the best service and solution. Let us make a better world for our industry!



Contact us

Tel: +86-755-8981 8866 Fax: +86-755-8427 6832

Email & Skype: info@chipsmall.com Web: www.chipsmall.com

Address: A1208, Overseas Decoration Building, #122 Zhenhua RD., Futian, Shenzhen, China



MICON 5 - Short-travel switch, SMT Standard

1.14.002.101/0000

Packing: tape with 2100 pieces
Keycaps see RK 90



Mounting hints:

Special pipette (Siemens Siplace order no.: 348514-02), mounting with collect and place head

Recommendation for screen printing: 150 µm stencil with 10% reduction of the pad size.

Dimensions

Length of housing	6.4 mm
Width of housing	5.1 mm
Overall height	3.85 mm

Mechanical design

Mounting	soldering
Terminals	SMT
Contact system	snap-action contact
Contact arrangement	1 NO
Contact materials	Au
Illumination	no

Mechanical characteristics

Operating force F1 (±20%)	2.9 N
Switching travel S2 (±0.15 mm)	0.7 mm

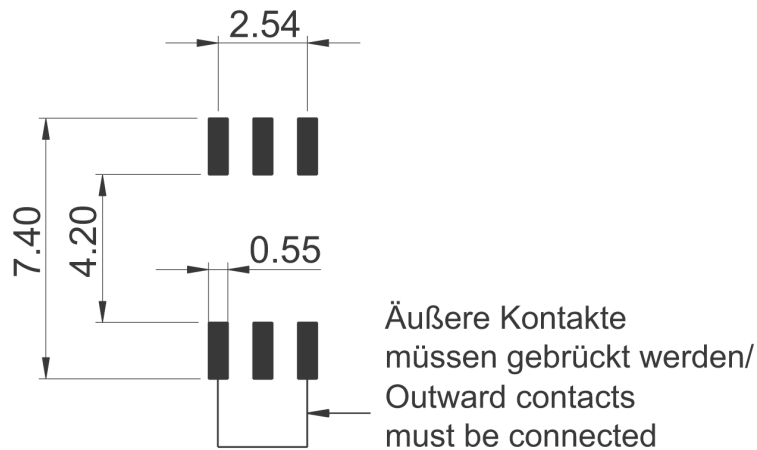
Electrical characteristics

Rated voltage min.	0.02 V
Rated voltage max.	35 V
Rated current min.	0.01 mA
Rated current max.	100 mA
Rated power max. (ohmic load)	1 W
Contact resistance when new	≤ 100 mΩ
Rated voltage resistance AC	250 V
Insulation resistance	10 ⁹ Ω

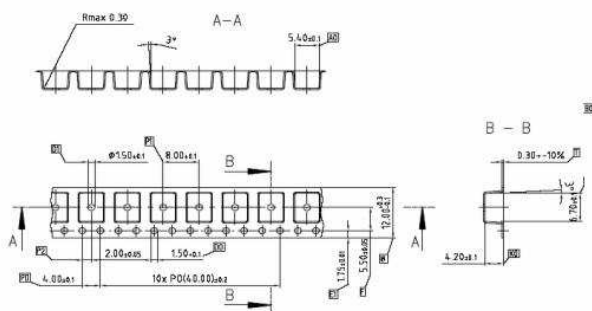
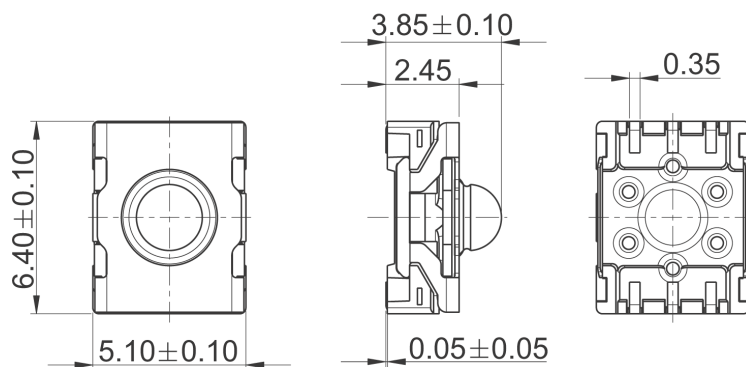
Other specifications

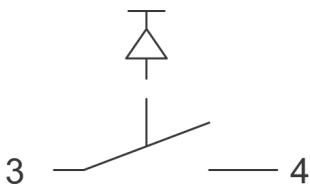
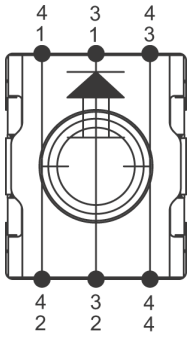
Ambient temp. operating min.	-40 °C
Ambient temp. operating max.	+90 °C
Resistance to environment	IEC 60068-2 -14,-30,-33, -78
Operating life (test force)	1,000,000 (4 N)
Solder heat resistance / Solderability	DIN EN 60068-2-58
Flammability of materials	UL 94 V1
Packing	tape and reel à 2100 pieces

Produkt type	X
ROHS compliant	yes
REACH compliant	yes



SMT Standard





Schaltzeichen
nach IEC
617

