



Chipsmall Limited consists of a professional team with an average of over 10 year of expertise in the distribution of electronic components. Based in Hongkong, we have already established firm and mutual-benefit business relationships with customers from,Europe,America and south Asia,supplying obsolete and hard-to-find components to meet their specific needs.

With the principle of "Quality Parts,Customers Priority,Honest Operation,and Considerate Service",our business mainly focus on the distribution of electronic components. Line cards we deal with include Microchip,ALPS,ROHM,Xilinx,Pulse,ON,Everlight and Freescale. Main products comprise IC,Modules,Potentiometer,IC Socket,Relay,Connector.Our parts cover such applications as commercial,industrial, and automotives areas.

We are looking forward to setting up business relationship with you and hope to provide you with the best service and solution. Let us make a better world for our industry!



## Contact us

Tel: +86-755-8981 8866 Fax: +86-755-8427 6832

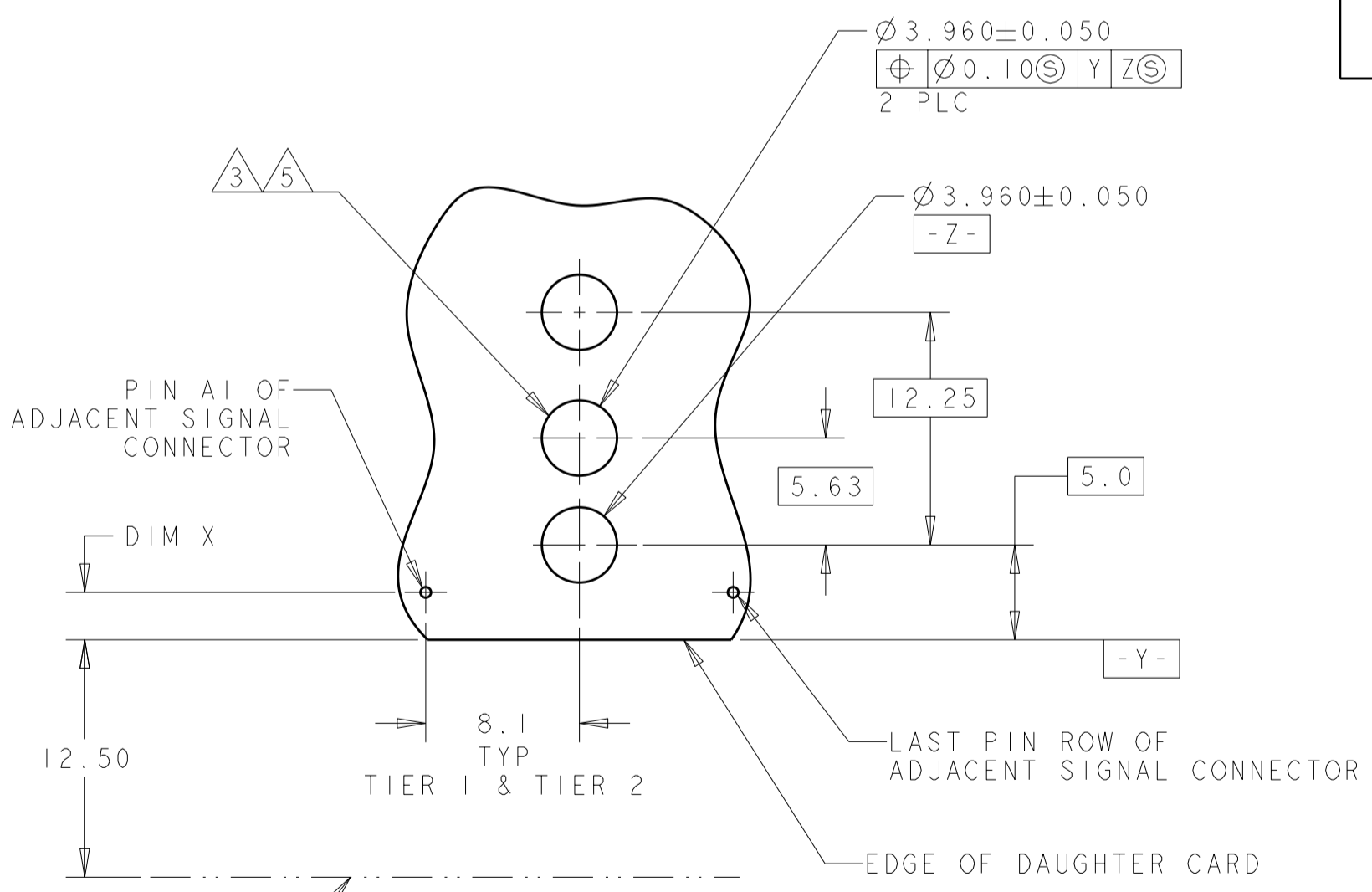
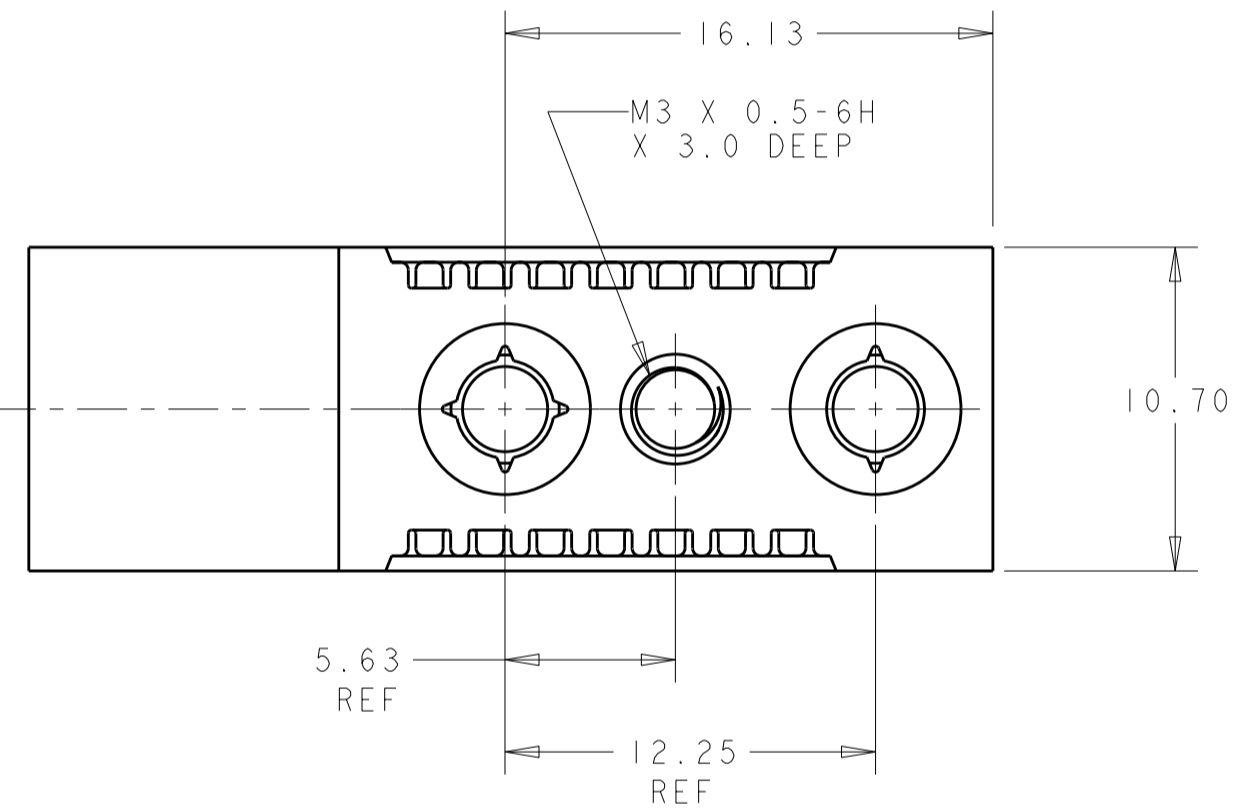
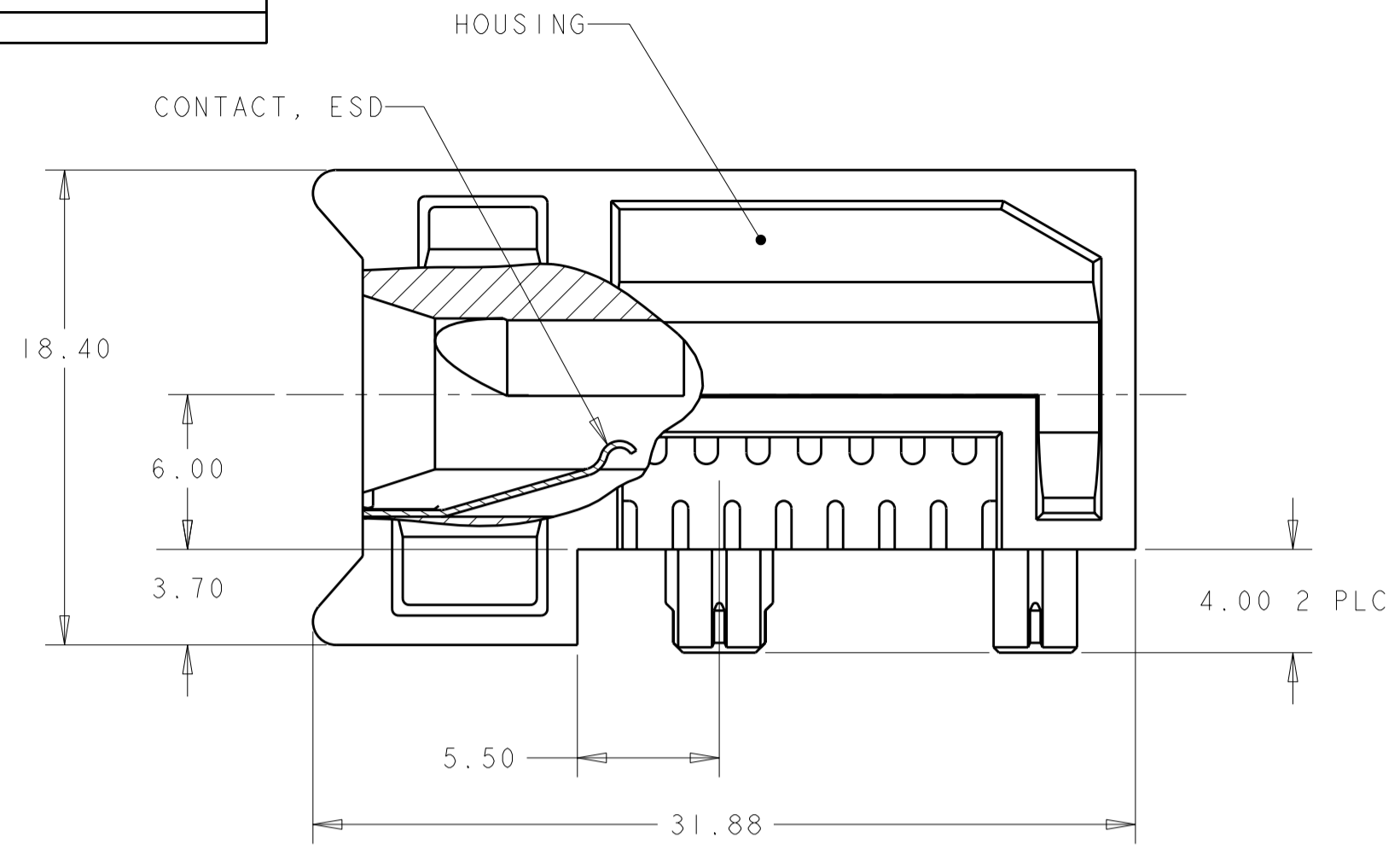
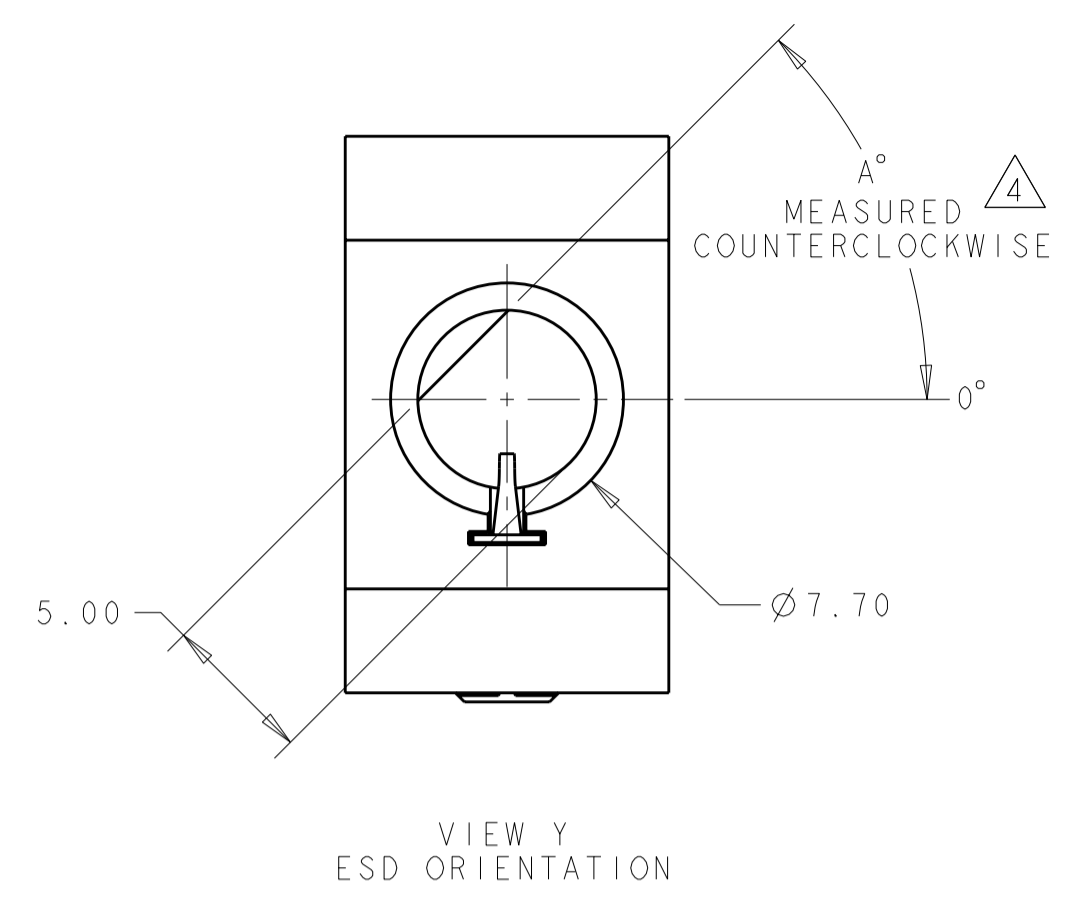
Email & Skype: info@chipsmall.com Web: www.chipsmall.com

Address: A1208, Overseas Decoration Building, #122 Zhenhua RD., Futian, Shenzhen, China



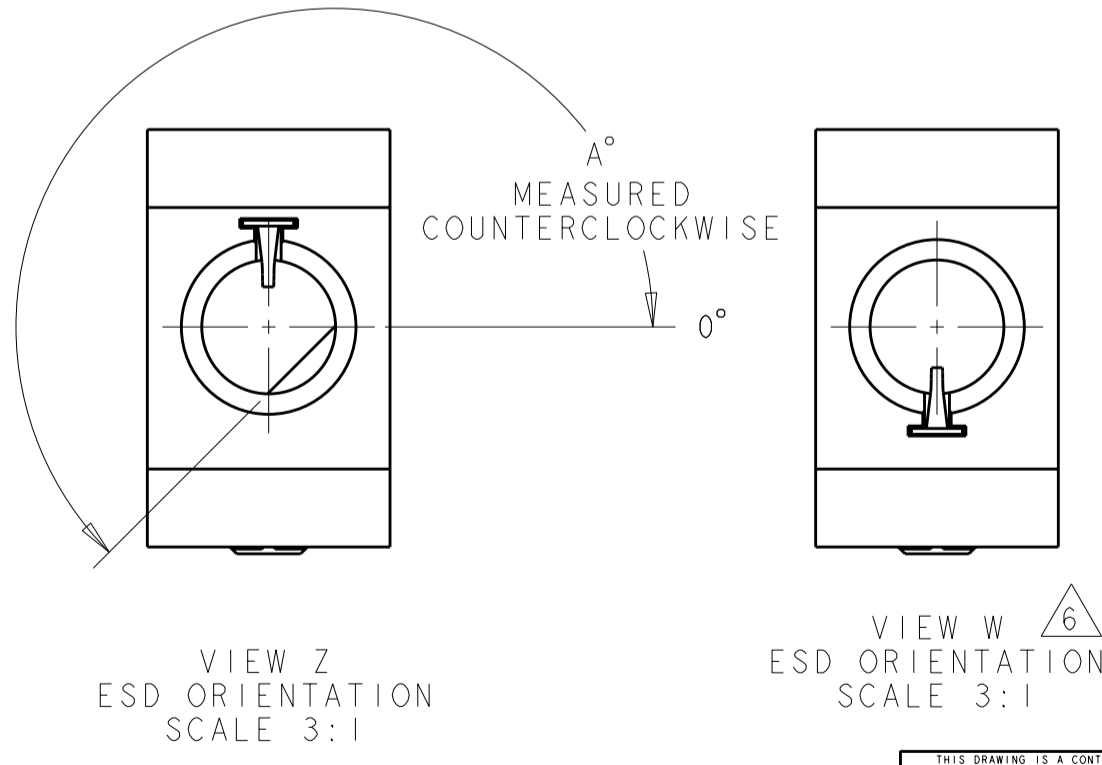
THIS DRAWING IS UNPUBLISHED. RELEASED FOR PUBLICATION 20  
 © COPYRIGHT 20 BY TYCO ELECTRONICS CORPORATION. ALL RIGHTS RESERVED.

LOC	DIST	REVISIONS					
GP	00	P	LTR	DESCRIPTION	DATE	DWN	APVD
		A		REV PER EC 0S12-0206-05	18APR2005	BC	GG
		A1		REV PER ECO-07-018424	04SEP2007	BC	GG
		A2		REVISED PER ECO-10-000445	25JAN2010	KK	HMR



DIM X	2.50	2.25
	TIER 1	TIER 2

PCB LAYOUT  
CONNECTOR SIDE  
SCALE 3:1



- 1 MATERIAL:  
HOUSING: ZINC ALLOY DIE CASTING, ZAMAK 3  
CONTACT: PHOSPHOR BRONZE
- 2 FINISH:  
HOUSING: CHROMATE CONVERSION COATING  
ESD CONTACT: 1.27µm MINIMUM NICKEL ALL OVER
- 3 HOLE FOR POSITIVE RETENTION SCREW
- 4 DASH NUMBERS INDICATE KEY ORIENTATION  
(P/N 1410297-2 SHOWN ON DRAWING)
- 5 GROUND PAD Ø5mm ON RETENTION HARDWARE SIDE OF PCB
- 6 GUIDE MODULE W/O KEYING,  
GUIDE PIN 1410548-2 & 1410548-3 MUST BE ORIENTED  
TO PROVIDE PROPER ESD PERFORMANCE
- 7 FINISH:  
HOUSING: NICKEL OVER COPPER.  
ESD CONTACT: 1.27µm MINIMUM NICKEL ALL OVER.
- 8
- 9 OBSOLETE PARTS: OBSOLETE CIS STREAMLINING PER  
D.RENAUD/D.SINISI

VIEW	ANGLE	REVISION	DESCRIPTION
VIEW W	6°	7	1-1410297-9
VIEW Y	315°	7	1-1410297-8
VIEW Z	270°	7	1-1410297-7
VIEW Z	225°	7	1-1410297-6
VIEW Z	180°	7	1-1410297-5
VIEW Z	135°	7	1-1410297-4
VIEW Y	90°	7	1-1410297-3
VIEW Y	45°	7	1-1410297-2
VIEW Y	0°	7	1-1410297-1
SUPERSEDED BY		1-1410297-9	VIEW W 6° 2 1410297-9
SUPERSEDED BY		1-1410297-8	VIEW Y 315° 2 1410297-8
SUPERSEDED BY		1-1410297-7	VIEW Z 270° 2 1410297-7
SUPERSEDED BY		1-1410297-6	VIEW Z 225° 2 1410297-6
SUPERSEDED BY		1-1410297-5	VIEW Z 180° 2 1410297-5
SUPERSEDED BY		1-1410297-4	VIEW Z 135° 2 1410297-4
SUPERSEDED BY		1-1410297-3	VIEW Y 90° 2 1410297-3
SUPERSEDED BY		1-1410297-2	VIEW Y 45° 2 1410297-2
SUPERSEDED BY		1-1410297-1	VIEW Y 0° 2 1410297-1
	ESD ORIENTATION	A°	PART NUMBER 4

THIS DRAWING IS A CONTROLLED DOCUMENT FOR TYCO ELECTRONICS CORPORATION IT IS SUBJECT TO CHANGE AND THE CONTROLLING ENGINEERING ORGANIZATION SHOULD BE CONTACTED FOR THE LATEST REVISION.		DWN L.SIPE 26OCT2001	Tyco Electronics Corporation Harrisburg, PA 17105-3608	
DIMENSIONS: mm		CHK D.DEFIBAUGH 26OCT2001	NAME KEY/ESD GUIDE MODULE ASSEMBLY, 20.3mm, MULTIGIG, DAUGHTER CARD	
TOLERANCES UNLESS OTHERWISE SPECIFIED: 0 PLC ± 1 PLC ± 2 PLC ±0.13 3 PLC ±0.013 4 PLC ± ANGLES ± FINISH		APVD G.GRIFFITH 18APR2005	SIZE A2 CAGE CODE 00779 DRAWING NO C-1410297 RESTRICTED TO -	
MATERIAL 1 -		PRODUCT SPEC -	SCALE 1:1 SHEET 1 OF 1 REV A2	
		APPLICATION SPEC -	CUSTOMER DRAWING	
		WEIGHT -		