



Chipsmall Limited consists of a professional team with an average of over 10 year of expertise in the distribution of electronic components. Based in Hongkong, we have already established firm and mutual-benefit business relationships with customers from,Europe,America and south Asia,supplying obsolete and hard-to-find components to meet their specific needs.

With the principle of "Quality Parts,Customers Priority,Honest Operation,and Considerate Service",our business mainly focus on the distribution of electronic components. Line cards we deal with include Microchip,ALPS,ROHM,Xilinx,Pulse,ON,Everlight and Freescale. Main products comprise IC,Modules,Potentiometer,IC Socket,Relay,Connector.Our parts cover such applications as commercial,industrial, and automotives areas.

We are looking forward to setting up business relationship with you and hope to provide you with the best service and solution. Let us make a better world for our industry!



Contact us

Tel: +86-755-8981 8866 Fax: +86-755-8427 6832

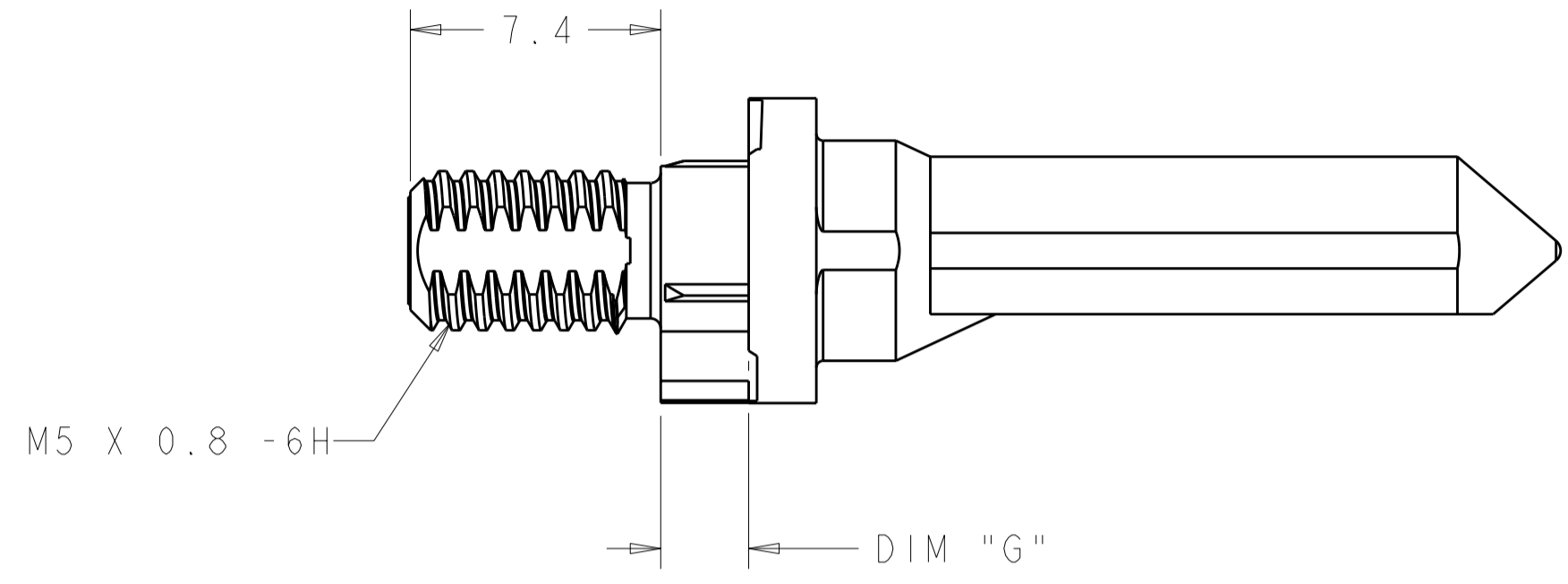
Email & Skype: info@chipsmall.com Web: www.chipsmall.com

Address: A1208, Overseas Decoration Building, #122 Zhenhua RD., Futian, Shenzhen, China

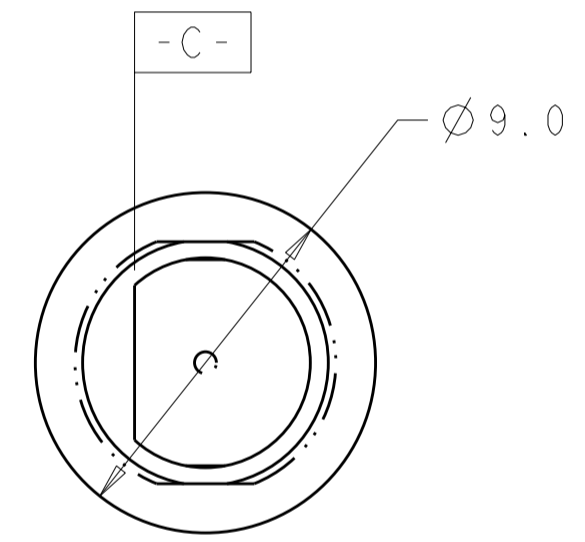
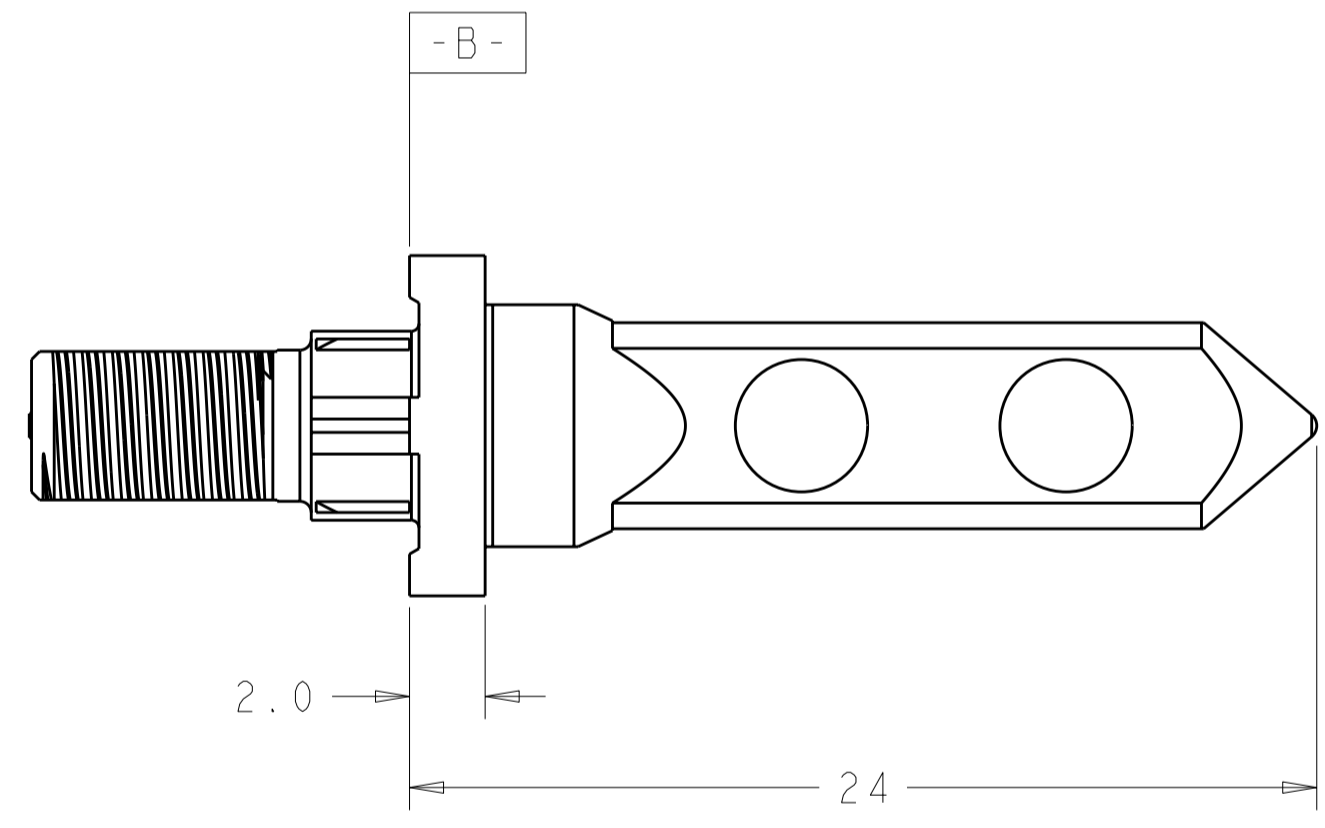
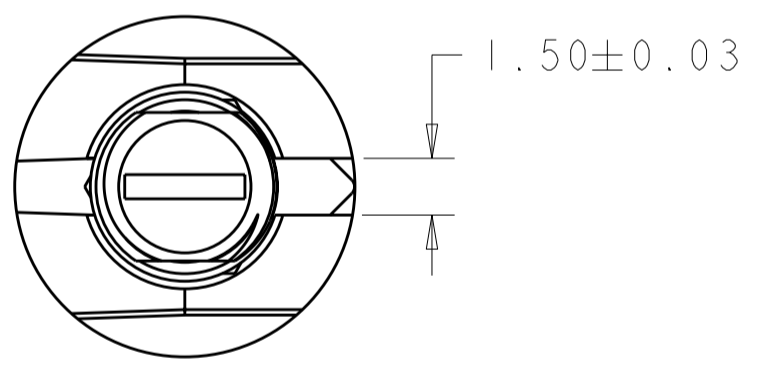


THIS DRAWING IS UNPUBLISHED. RELEASED FOR PUBLICATION 20
 © COPYRIGHT 20 BY - ALL RIGHTS RESERVED.

LOC	DIST	REVISIONS					
CG	00	P	LTR	DESCRIPTION	DATE	DWN	APVD
			A	RELEASED	04AUG2011	BC	AS



- 1 MATERIAL: ZINC ALLOY
- 2 KEY HOLE ORIENTATION (DIM A) PER MATING GUIDE MODULE PART NUMBER TABLE (ORIENTATION SHOWN ON PCB LAYOUT IS FOR 1-1410353-2)
- 3 ANNULAR RING PLATED AROUND GUIDE PIN MOUNTING HOLE ON TOP AND BOTTOM SIDE OF BOARD
- 4 FINISH:
3.81µm MINIMUM SILVER IN CONTACT AREA
OVER NICKEL OVER COPPER ALL OVER

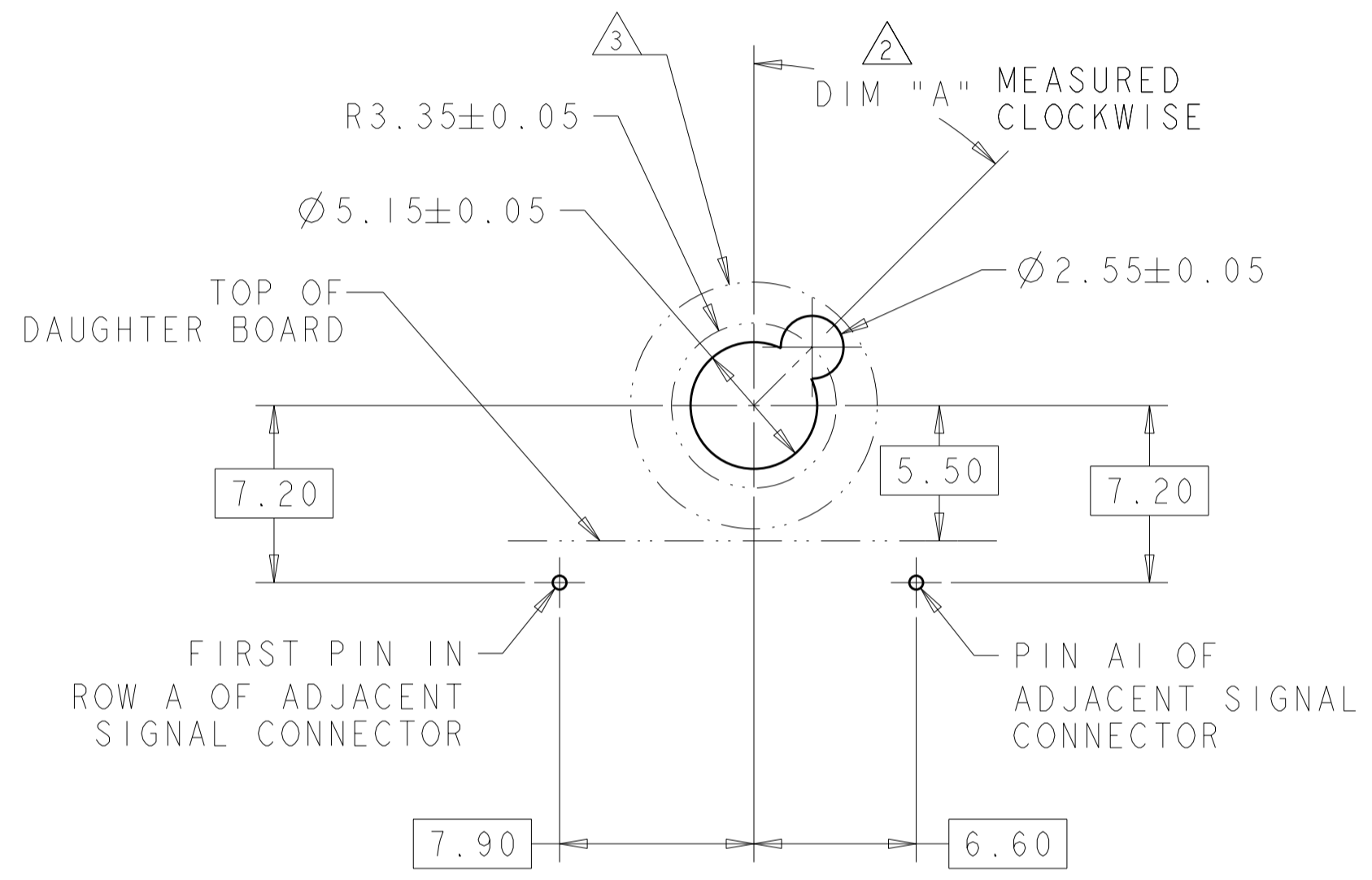


4	5.70	1-1410354-4
4	4.20	1-1410354-3
4	2.60	1-1410354-2
FINISH	DIM "G"	PART NUMBER

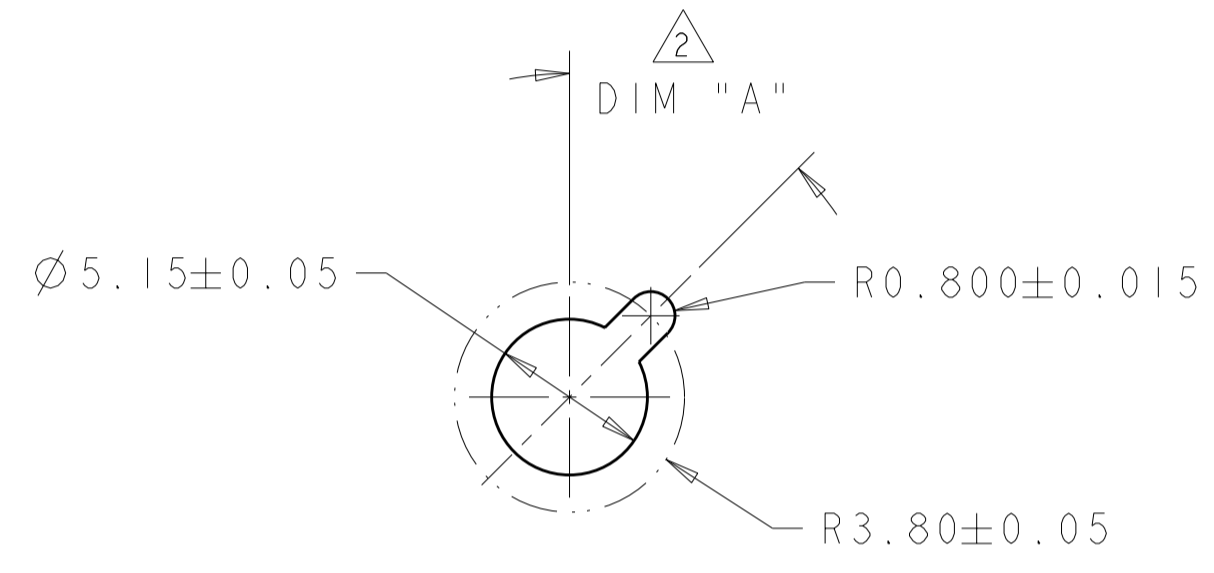
THIS DRAWING IS A CONTROLLED DOCUMENT.		DWN B. CARBO 04AUG2011	TE Connectivity				
DIMENSIONS: mm		CHK A. SHARPE 04AUG2011					
TOLERANCES UNLESS OTHERWISE SPECIFIED:		APVD A. SHARPE 04AUG2011	NAME KEYED GUIDE PIN, DIE CAST, BACKPLANE CONNECTOR, MULTIGIG, THREADED POST				
0 PLC ± 1 PLC ±0.5 2 PLC ±.13 3 PLC ±0.013 4 PLC ± ANGLES ± FINISH ±		PRODUCT SPEC 108-2072	SIZE A2	CAGE CODE 00779	DRAWING NO 1410354	RESTRICTED TO -	
MATERIAL SEE TABLE		APPLICATION SPEC 114-13056	SCALE 8:1		SHEET 1	OF 2	REV A
		WEIGHT -	CUSTOMER DRAWING				

THIS DRAWING IS UNPUBLISHED. RELEASED FOR PUBLICATION 20
 © COPYRIGHT 20 BY - ALL RIGHTS RESERVED.

LOC	DIST	REVISIONS			
P	LTR	DESCRIPTION	DATE	DWN	APVD
CG	00	-	SEE SHEET 1	-	-



TIER 2
 GUIDE PIN FOOTPRINT
 (20.3mm SIGNAL MODULES)
 SCALE 4:1



ALTERNATE PCB LAYOUT
 FOR GUIDE POST
 SCALE 4:1

4	-	1-1410353-9
4	315°	1-1410353-8
4	270°	1-1410353-7
4	90°	1-1410353-3
4	45°	1-1410353-2
4	0°	1-1410353-1
FINISH	DIM "A"	20.3mm GUIDE MODULE
		MATING GUIDE MODULE 2

THIS DRAWING IS A CONTROLLED DOCUMENT.		DWN B. CARBO 04AUG2011	STE TE Connectivity		
		CHK A. SHARPE 04AUG2011			
DIMENSIONS: mm		APVD A. SHARPE 04AUG2011	NAME KEYED GUIDE PIN, DIE CAST, BACKPLANE CONNECTOR, MULTIGIG, THREADED POST		
TOLERANCES UNLESS OTHERWISE SPECIFIED: 0 PLC ± 1 PLC ±0.5 2 PLC ±.13 3 PLC ±0.013 4 PLC ± ANGLES ± FINISH		PRODUCT SPEC 108-2072	SIZE A2	CAGE CODE 00779	DRAWING NO. 1410354
MATERIAL -		APPLICATION SPEC 114-13056	RESTRICTED TO -	SCALE 8:1 SHEET 2 OF 2 REV A	
SEE TABLE		WEIGHT -	CUSTOMER DRAWING		