



Chipsmall Limited consists of a professional team with an average of over 10 year of expertise in the distribution of electronic components. Based in Hongkong, we have already established firm and mutual-benefit business relationships with customers from,Europe,America and south Asia,supplying obsolete and hard-to-find components to meet their specific needs.

With the principle of “Quality Parts,Customers Priority,Honest Operation,and Considerate Service”,our business mainly focus on the distribution of electronic components. Line cards we deal with include Microchip,ALPS,ROHM,Xilinx,Pulse,ON,Everlight and Freescale. Main products comprise IC,Modules,Potentiometer,IC Socket,Relay,Connector.Our parts cover such applications as commercial,industrial, and automotives areas.

We are looking forward to setting up business relationship with you and hope to provide you with the best service and solution. Let us make a better world for our industry!



Contact us

Tel: +86-755-8981 8866 Fax: +86-755-8427 6832

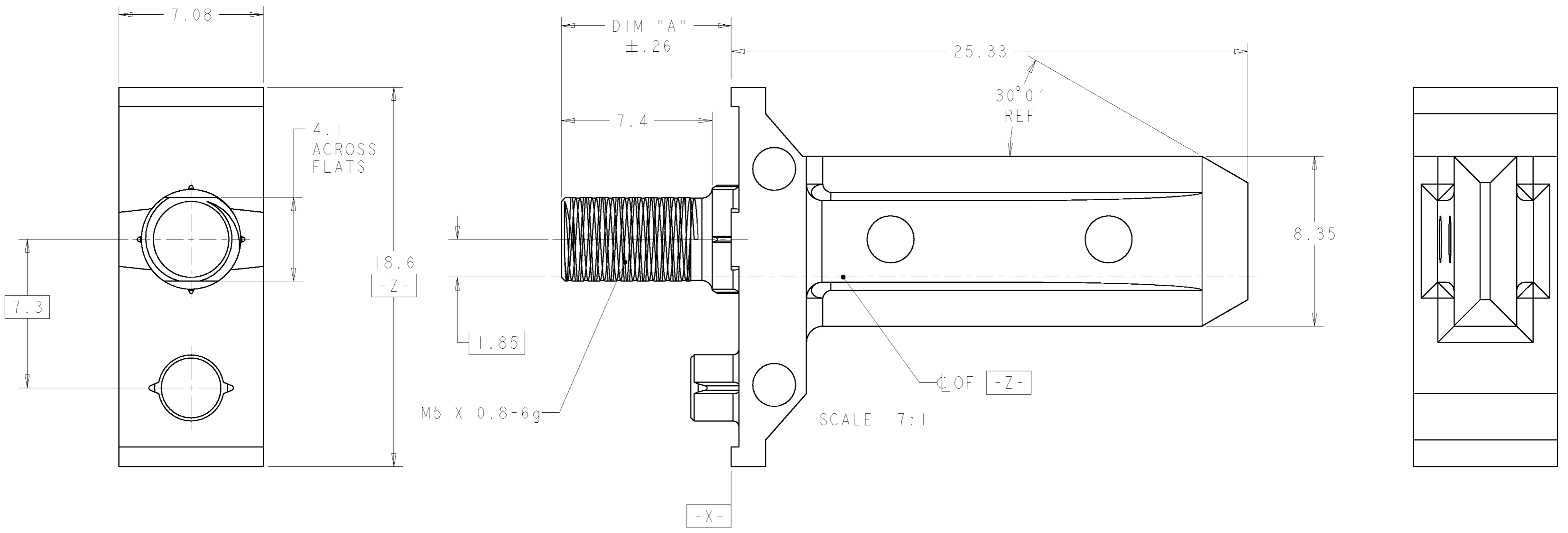
Email & Skype: info@chipsmall.com Web: www.chipsmall.com

Address: A1208, Overseas Decoration Building, #122 Zhenhua RD., Futian, Shenzhen, China



THIS DRAWING IS UNPUBLISHED. RELEASED FOR PUBLICATION 20
 © COPYRIGHT 20 BY TYCO ELECTRONICS CORPORATION. ALL RIGHTS RESERVED.

LOC	DIST	REVISIONS					
CG	00	P	LTR	DESCRIPTION	DATE	DWN	APVD
		B		REV PER ECO-06-025222	27OCT2006	BC	GG
		BI		REV PER ECO-07-018424	04SEP2007	BC	GG



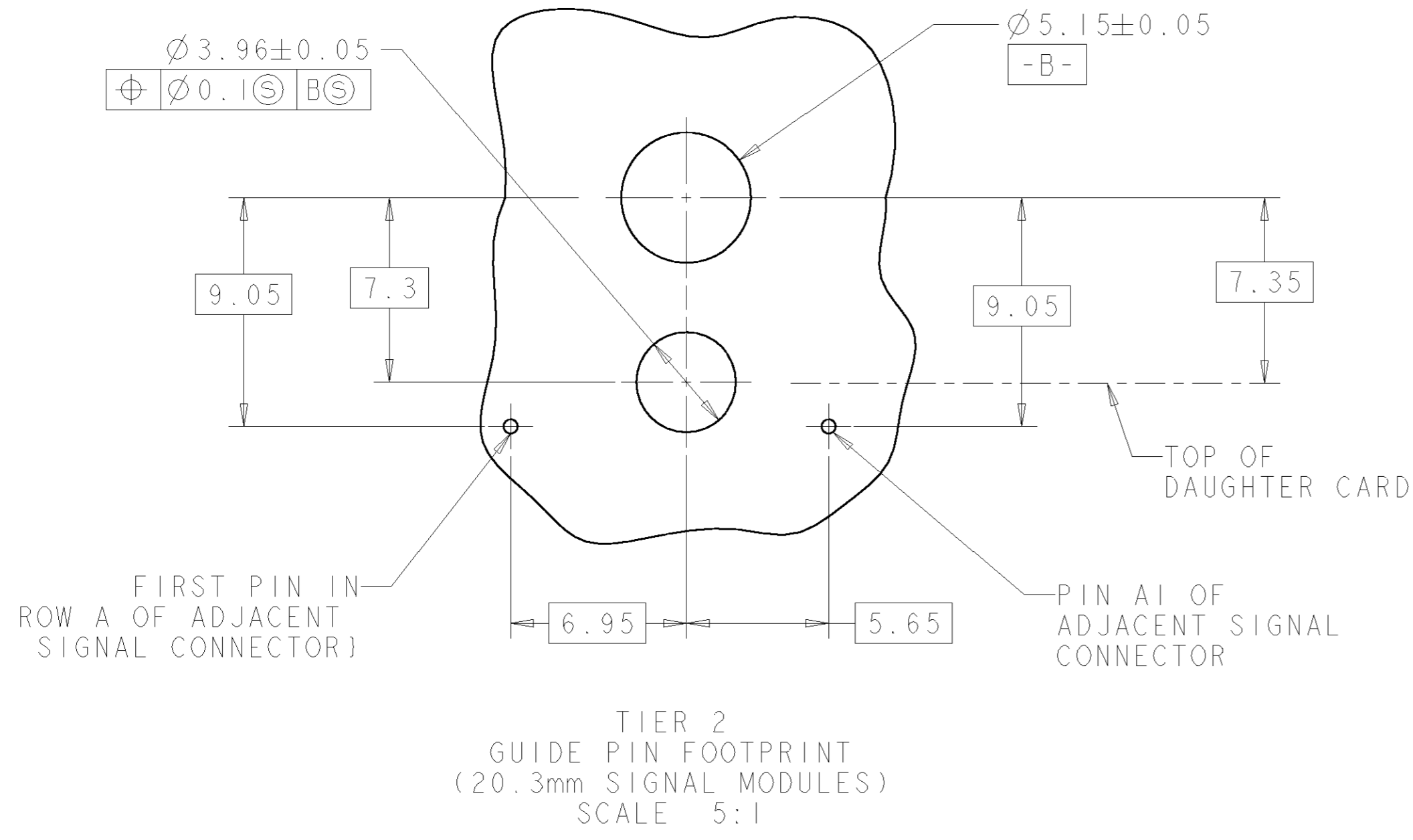
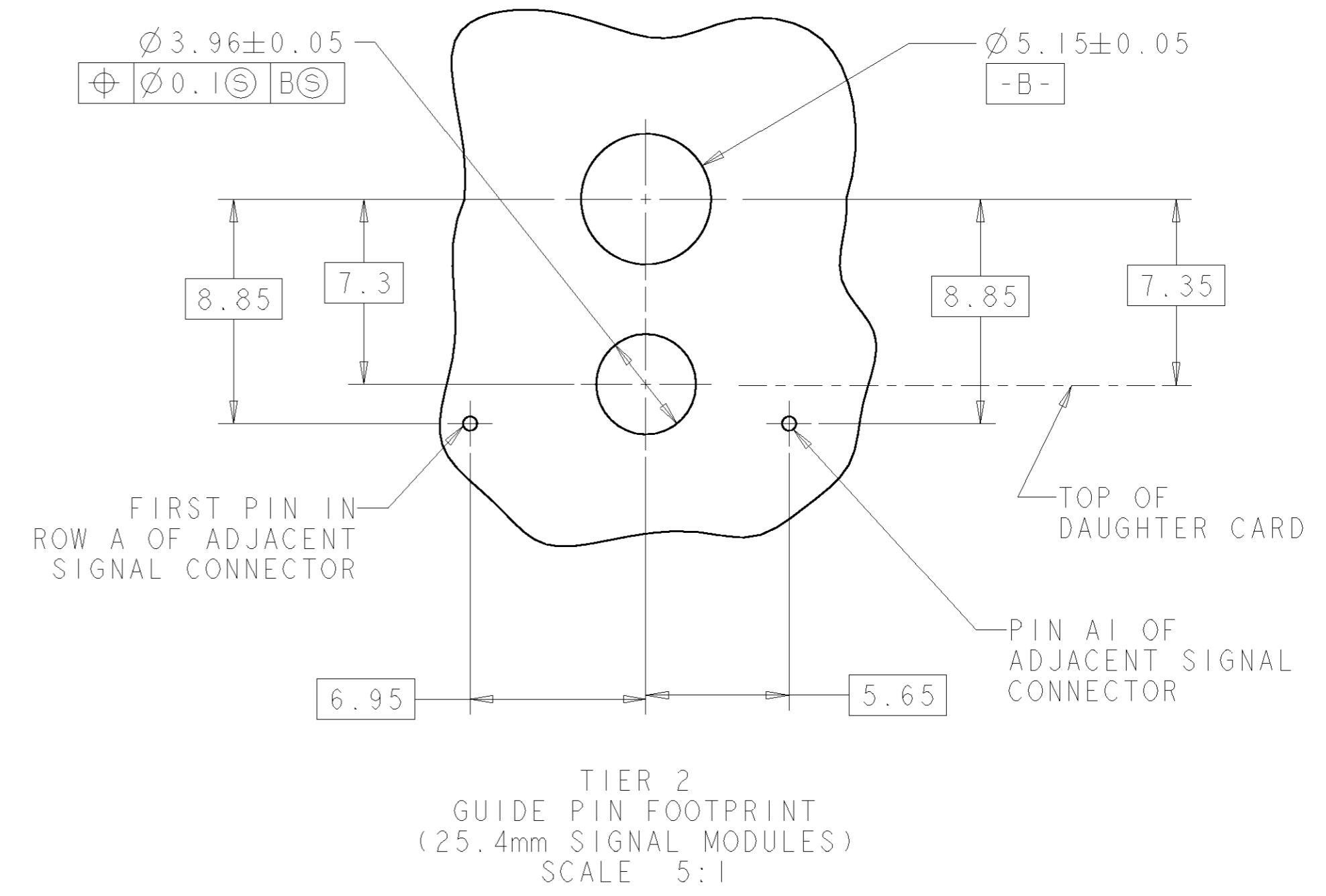
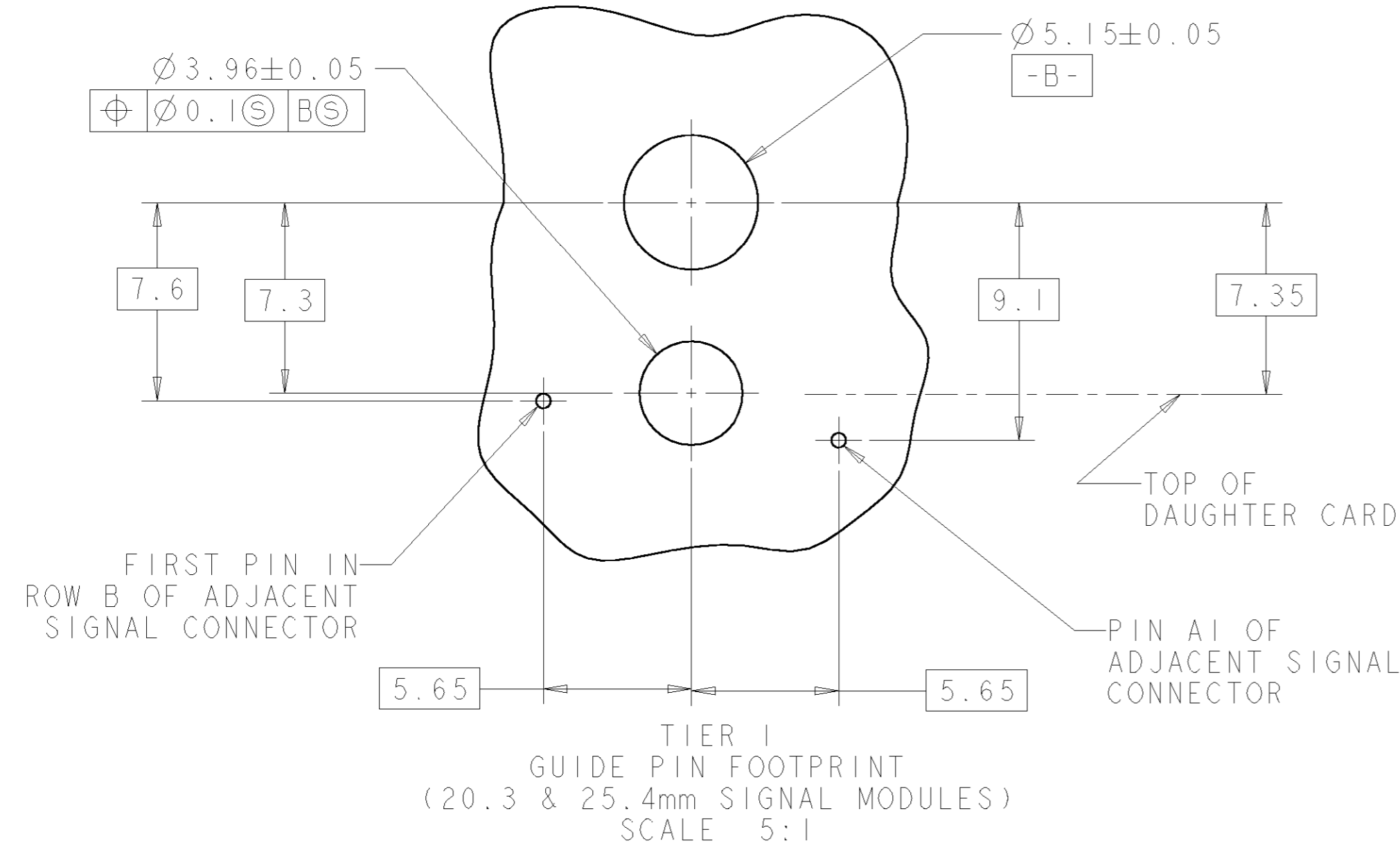
	13.10	③	1-1410710-4
	11.60	③	1-1410710-3
	10.00	③	1-1410710-2
	8.72	③	1-1410710-1
④	13.10	②	1410710-4
④	11.60	②	1410710-3
④	10.00	②	1410710-2
④	8.72	②	1410710-1
	DIM "A"	FINISH	PART NUMBER

- ① MATERIAL: ZINC ALLOY
- ② FINISH: HEXAVALENT CHROMATE.
- ③ FINISH: TRIVALENT CHROMIUM.
- ④ OBSOLETE PART NUMBER.

THIS DRAWING IS A CONTROLLED DOCUMENT FOR TYCO ELECTRONICS CORPORATION. IT IS SUBJECT TO CHANGE AND THE CONTROLLING ENGINEERING ORGANIZATION SHOULD BE CONTACTED FOR THE LATEST REVISION.		DWN E. MORANA 08JUL002	Tyco Electronics Harrisburg, PA 17105-3608	
DIMENSIONS: mm		CHK G. GRIFFITH 04SEP2007	NAME 7.2mm GUIDE MODULE BACKPLANE CONNECTOR, MultiGig	
TOLERANCES UNLESS OTHERWISE SPECIFIED: 0 PLC ± 1 PLC ±0.1 2 PLC ±.13 3 PLC ±.013 4 PLC ±0.0001 ANGLES ±0.30°		APVD G. GRIFFITH 04SEP2007	PRODUCT SPEC -	
MATERIAL		APPLICATION SPEC -	SIZE A2	
		WEIGHT -	CAGE CODE 00779	
		CUSTOMER DRAWING	DRAWING NO 1410710	
		SCALE 5:1	RESTRICTED TO -	
		SHEET 1 OF 2	REV B1	

THIS DRAWING IS UNPUBLISHED. RELEASED FOR PUBLICATION 20
 © COPYRIGHT 20 BY TYCO ELECTRONICS CORPORATION. ALL RIGHTS RESERVED.

LOC	DIST	REVISIONS					
CG	00	P	LTR	DESCRIPTION	DATE	DWN	APVD
		-		SEE SHEET 1			



THIS DRAWING IS A CONTROLLED DOCUMENT FOR TYCO ELECTRONICS CORPORATION. IT IS SUBJECT TO CHANGE AND THE CONTROLLING ENGINEERING ORGANIZATION SHOULD BE CONTACTED FOR THE LATEST REVISION.		DWN F. MORANA 08JUL002	Tyco Electronics Harrisburg, PA 17105-3608	
DIMENSIONS: mm		CHK G. GRIFFITH 04SEP2007	NAME 7.2mm GUIDE MODULE BACKPLANE CONNECTOR, MultiGig	
TOLERANCES UNLESS OTHERWISE SPECIFIED: 0 PLC \pm .1 1 PLC \pm 0.1 2 PLC \pm .13 3 PLC \pm .013 4 PLC \pm 0.0001 ANGLES \pm 0.30°		APVD G. GRIFFITH 04SEP2007	PRODUCT SPEC -	
MATERIAL -		FINISH -	APPLICATION SPEC -	RESTRICTED TO -
CUSTOMER DRAWING		WEIGHT -	SIZE A2	CAGE CODE 00779
		DRAWING NO. 1410710	SCALE 5:1 SHEET 2 OF 2 REV B1	