



Chipsmall Limited consists of a professional team with an average of over 10 year of expertise in the distribution of electronic components. Based in Hongkong, we have already established firm and mutual-benefit business relationships with customers from,Europe,America and south Asia,supplying obsolete and hard-to-find components to meet their specific needs.

With the principle of “Quality Parts,Customers Priority,Honest Operation,and Considerate Service”,our business mainly focus on the distribution of electronic components. Line cards we deal with include Microchip,ALPS,ROHM,Xilinx,Pulse,ON,Everlight and Freescale. Main products comprise IC,Modules,Potentiometer,IC Socket,Relay,Connector.Our parts cover such applications as commercial,industrial, and automotives areas.

We are looking forward to setting up business relationship with you and hope to provide you with the best service and solution. Let us make a better world for our industry!



Contact us

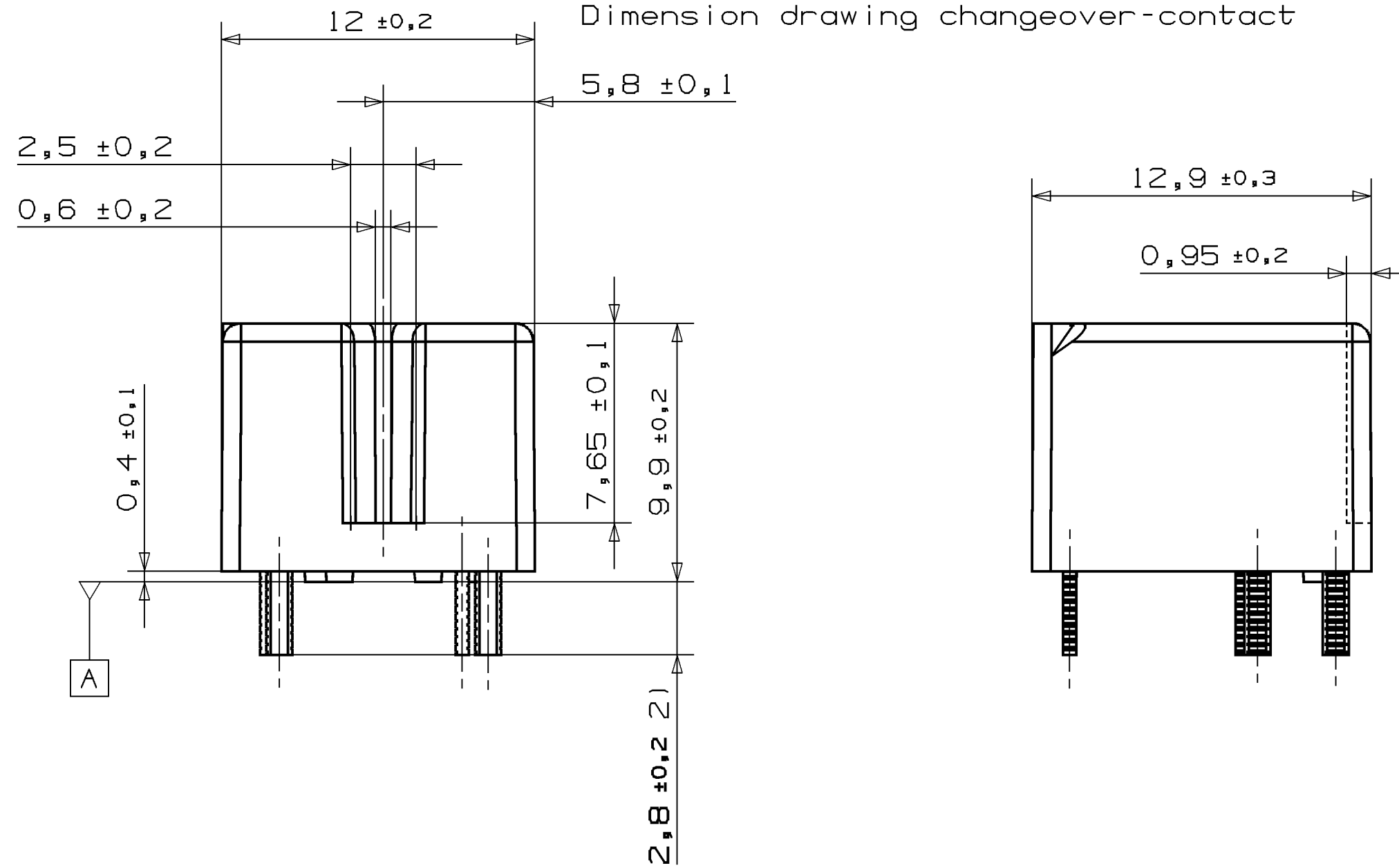
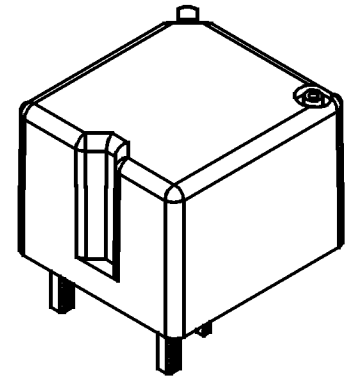
Tel: +86-755-8981 8866 Fax: +86-755-8427 6832

Email & Skype: info@chipsmall.com Web: www.chipsmall.com

Address: A1208, Overseas Decoration Building, #122 Zhenhua RD., Futian, Shenzhen, China



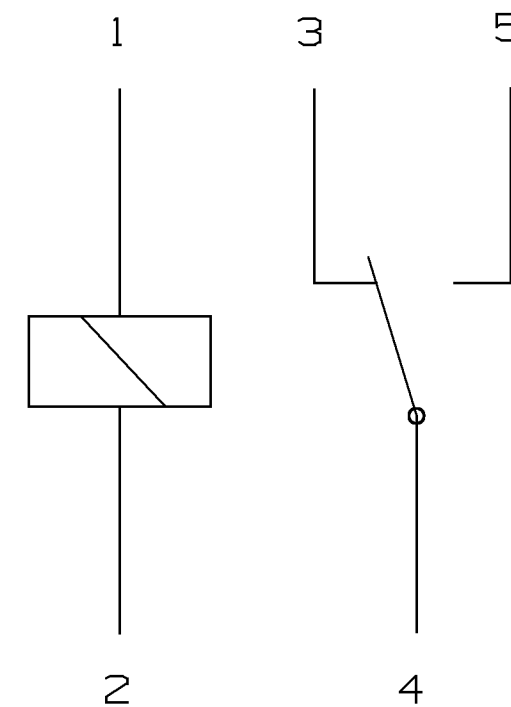
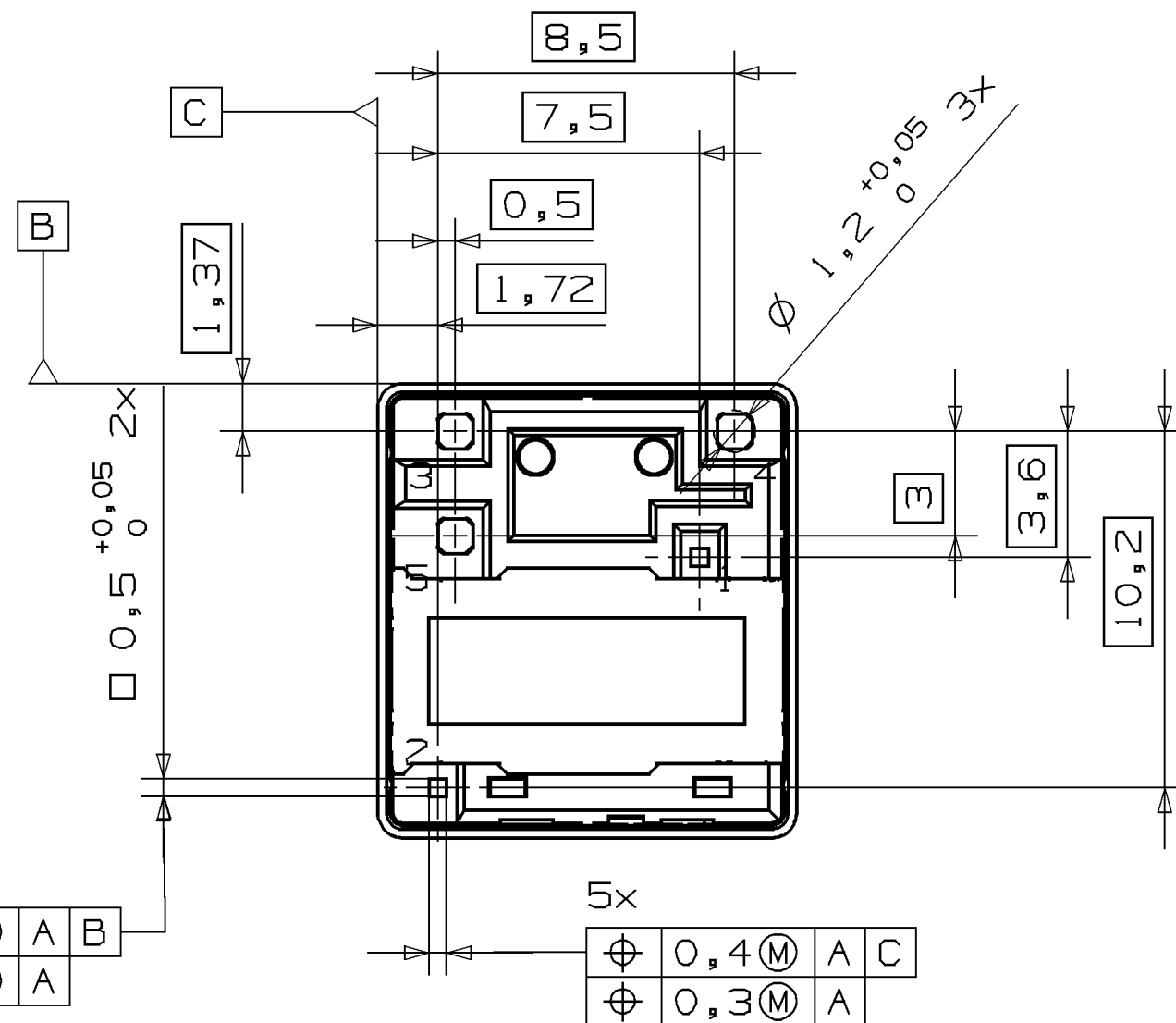
Massbild Wechsler
Dimension drawing changeover-contact



PART NUMBER	DESCRIPTION
0-1393280-2	V23086C1001A302
0-1393280-3	V23086C1001A303
0-1393280-5	V23086C1001A402
0-1393280-6	V23086C1001A403
9-1416000-8	V23086C1001A502
9-1416000-6	V23086C1001A602
9-1416000-0	V23086C1001X008
0-1393280-9	V23086C1002A303
1-1393280-1	V23086C1002A403
6-1414772-9	V23086C1002A502
2-1414987-3	V23086C1002A803
1-1413009-9	V23086C1004A303
8-1416000-7	V23086C1021A502
9-1416000-3	V23086C1021X011
1-1393280-4	V23086G1001X001
6-1414892-7	V23086G1501X028
5-1414993-2	V23086C1021X037

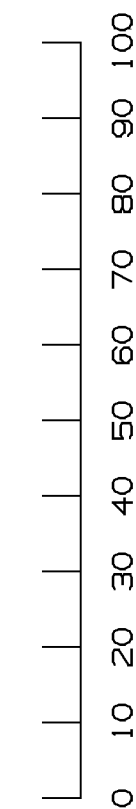
Ansicht auf die Anschlüsse
View on the terminals

Schaltbild
Circuit diagram



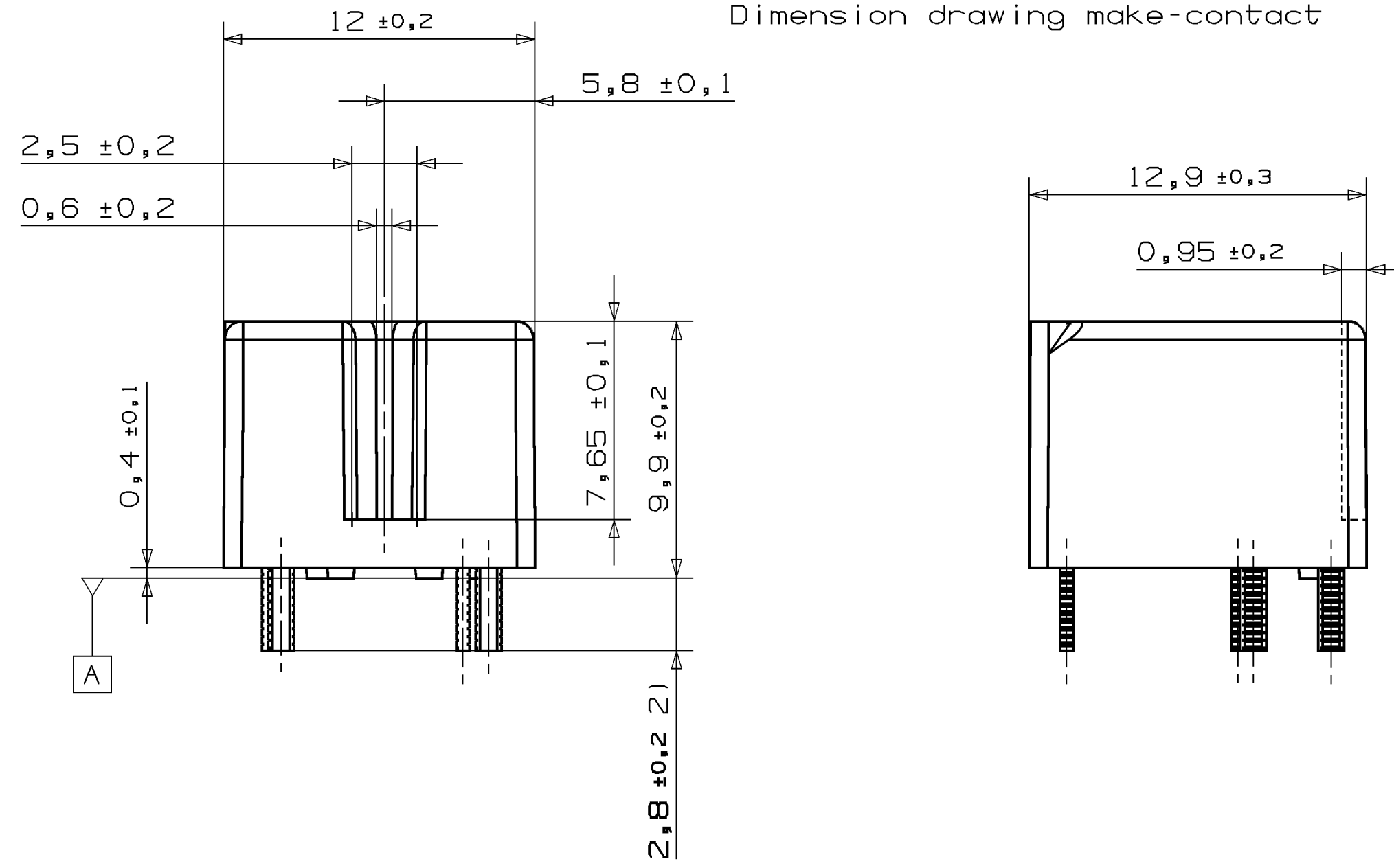
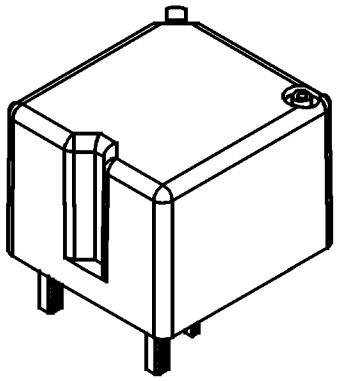
- 1) fuer Ebenheit und Geradheit
ISO 2768 - L
- 2) Pinlaenge ohne Verzinnung
mit Verzinnung max. 3,8mm

- 1) for flatness and straightness
ISO 2768 - L
- 2) Length of terminal without tin
with tin max. 3,8mm



PROPRIETARY THE REPRODUCTION, TRANSMISSION OR USE OF THIS DOCUMENT OR IT'S CONTENTS IS NOT PERMITTED WITHOUT EXPRESSED WRITTEN AUTHORITY. OFFENDERS WILL BE LIABLE FOR ALL DAMAGES. ALL RIGHTS, INCLUDING RIGHTS CREATED BY REGISTERED PATENT(S) GRANTED FOR A UTILITY MODEL OR DESIGN, ARE RESERVED.				CHANGES TO THIS DRAWING MUST BE DONE ONLY IN CAD		PAPER SIZE A2	
APPLICABLE SPEC.:				FINISH			
DIMENSIONS APPLY				PLATING			
SCALE 5:1				WEIGHT ca. 4g			
MATERIAL				PART NAME			
MicroK THT Dimension drawing				PART NO. C23303-A0086-A001-CD			
SHT. 1 OF 2							
REV.	CHANGE ORDER	DATE	APP.	DATE 97-10-23 NAME Reiss			

Massbild Schliesser
Dimension drawing make-contact

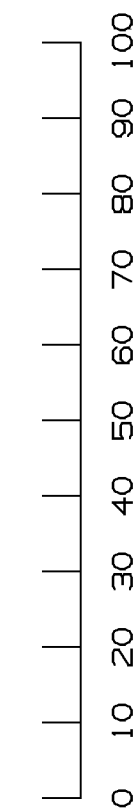
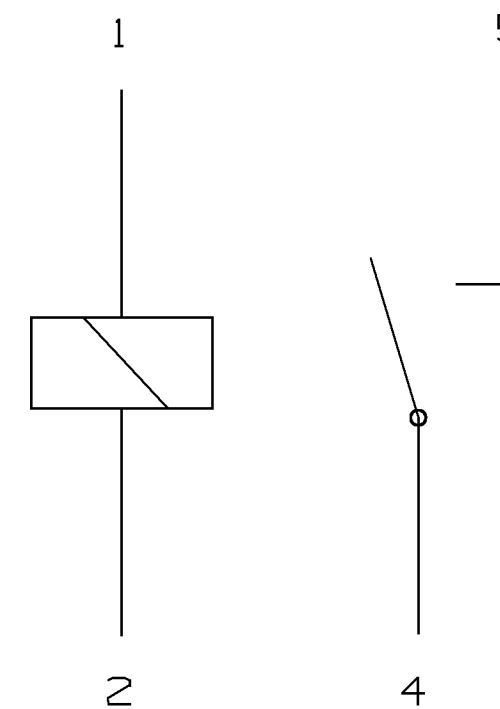
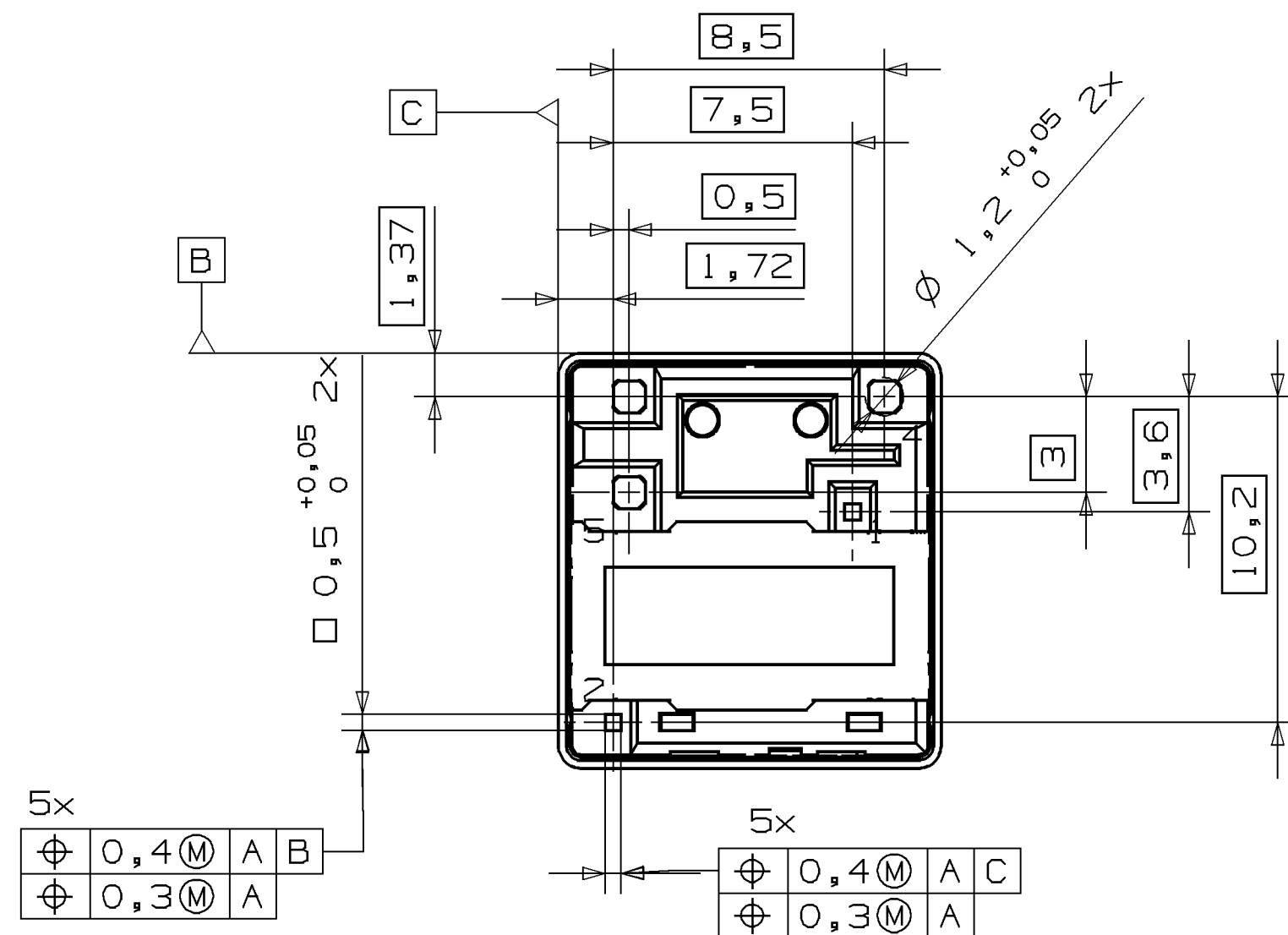


Ansicht auf die Anschluesse
View on the terminals

Schaltbild
Circuit diagram

- 1) fuer Ebenheit und Geradheit
ISO 2768 - L
- 2) Pinlaenge ohne Verzinnung
mit Verzinnung max. 3,8mm

- 1) for flatness and straightness
ISO 2768 - L
- 2) Length of terminal without tin
with tin max. 3,8mm



PROPRIETARY THE REPRODUCTION, TRANSMISSION OR USE OF THIS DOCUMENT OR IT'S CONTENTS IS NOT PERMITTED WITHOUT EXPRESSED WRITTEN AUTHORITY. OFFENDERS WILL BE LIABLE FOR ALL DAMAGES. ALL RIGHTS, INCLUDING RIGHTS CREATED BY REGISTERED PATENT(S) GRANTED FOR A UTILITY MODEL OR DESIGN, ARE RESERVED.				CHANGES TO THIS DRAWING MUST BE DONE ONLY IN CAD		PAPER SIZE A2	
APPLICABLE SPEC.:				FINISH			
DIMENSIONS APPLY				PLATING			
SCALE 5:1				WEIGHT ca. 4g			
MATERIAL				PART NAME			
MicroK THT Dimension drawing				PART NO. C23303-A0086-A001-CD			
SHT. 2 OF 2							
B3 ECO-12-017225 B2 ECO-08-027644 B1 ECO-07-012552 B ECO-06-028631 A Migration 04 WE06/A177 03 WB03/A020 REV. CHANGE ORDER	26SEP2012 2008-11-06 2007-05-29 2006-12-07 2006-06-30 2006-06-28 2003-01-20 DATE	JFai JFai JFai ASCH ASCH ASCH ASCH APP.	DWN. APP. REV. LOCATION Bin-P	97-10-23 DATE	Reiss NAME		