



Chipsmall Limited consists of a professional team with an average of over 10 year of expertise in the distribution of electronic components. Based in Hongkong, we have already established firm and mutual-benefit business relationships with customers from,Europe,America and south Asia,supplying obsolete and hard-to-find components to meet their specific needs.

With the principle of “Quality Parts,Customers Priority,Honest Operation,and Considerate Service”,our business mainly focus on the distribution of electronic components. Line cards we deal with include Microchip,ALPS,ROHM,Xilinx,Pulse,ON,Everlight and Freescale. Main products comprise IC,Modules,Potentiometer,IC Socket,Relay,Connector.Our parts cover such applications as commercial,industrial, and automotives areas.

We are looking forward to setting up business relationship with you and hope to provide you with the best service and solution. Let us make a better world for our industry!



## Contact us

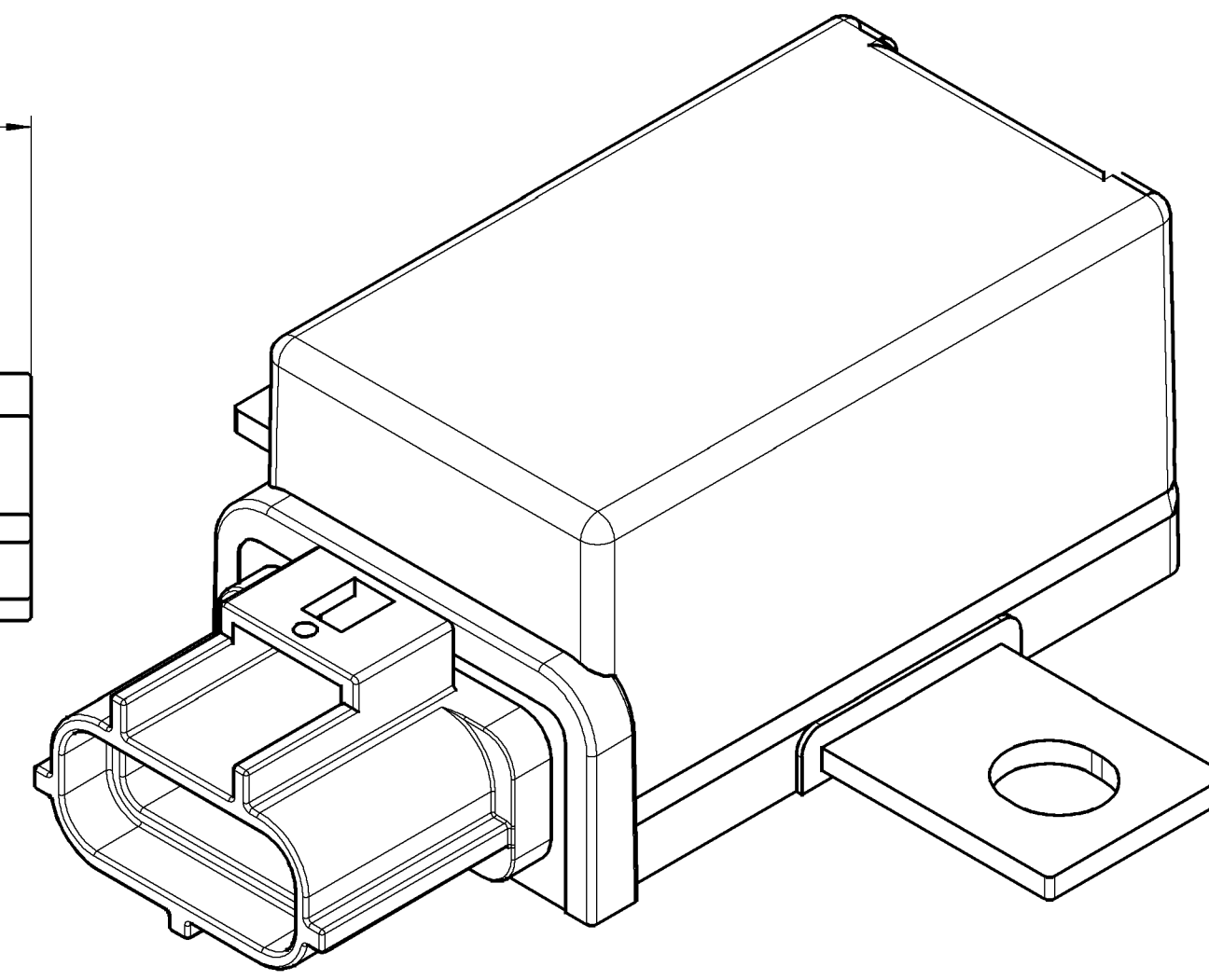
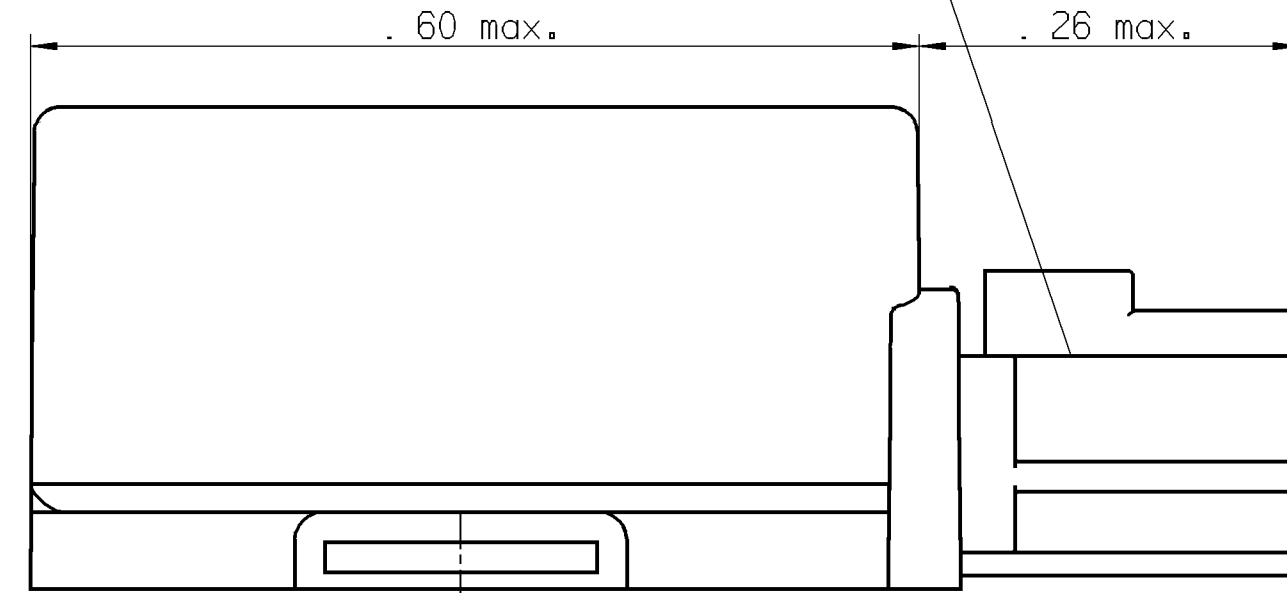
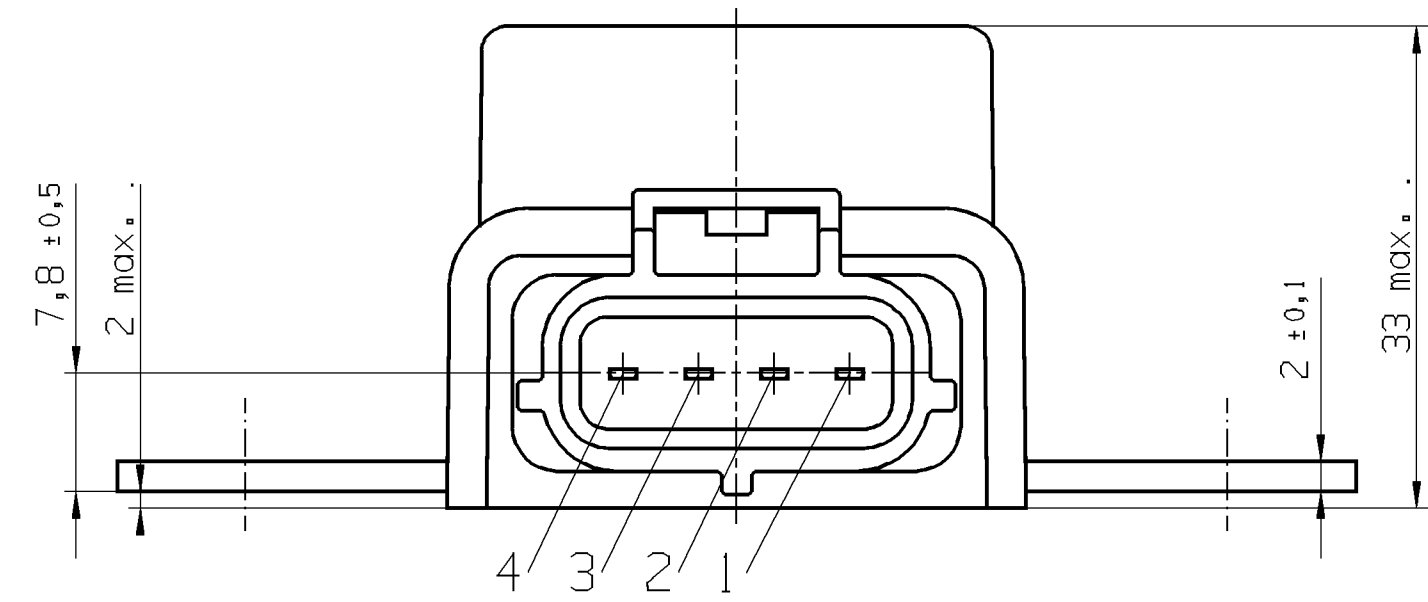
Tel: +86-755-8981 8866 Fax: +86-755-8427 6832

Email & Skype: info@chipsmall.com Web: www.chipsmall.com

Address: A1208, Overseas Decoration Building, #122 Zhenhua RD., Futian, Shenzhen, China

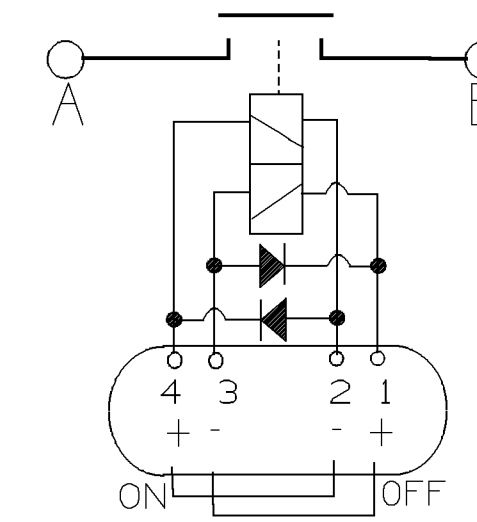


AMP Sensor Connector 4-Position 0.070 Series,  
appropriate for AMP part no. 184046-1



3D-VIEW

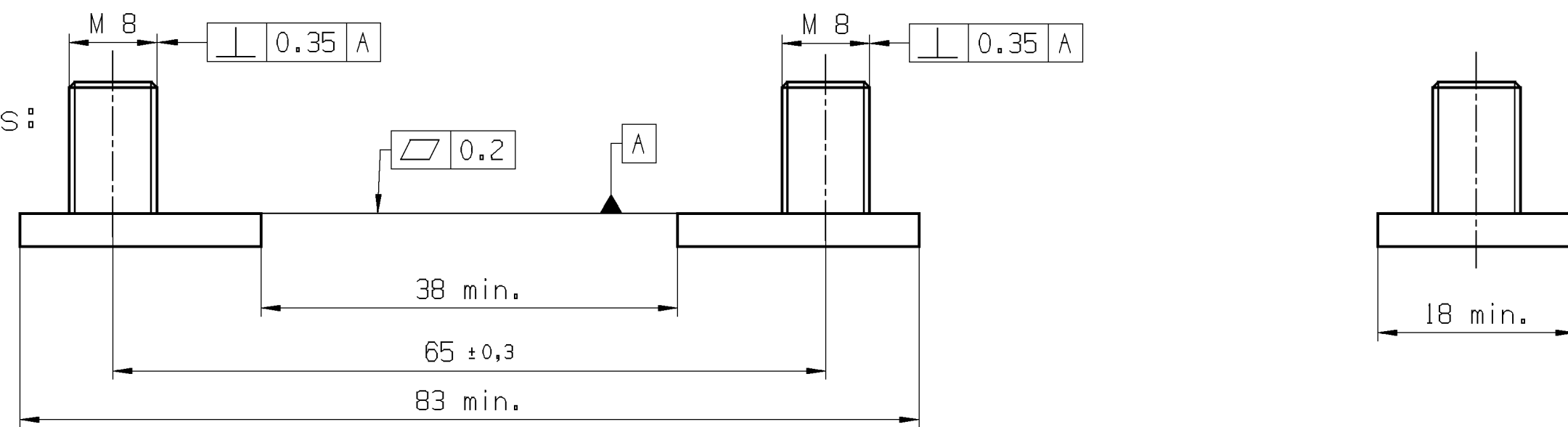
Pin Assignment



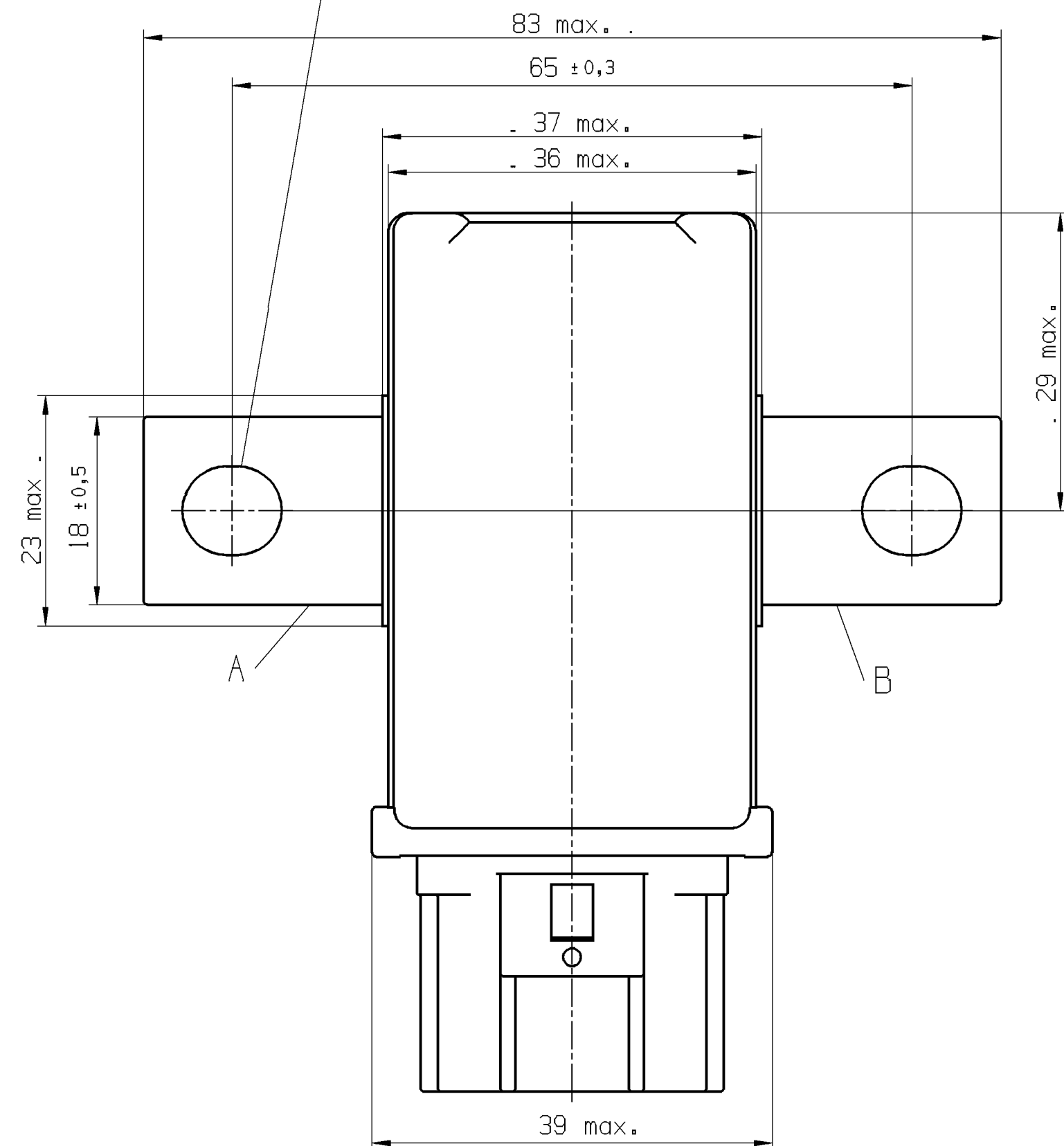
Terminal	Function
4	Set Coil (+)
3	Reset Coil (-)
2	Set Coil (-)
1	Reset Coil (+)
A	Load Terminal
B	Load Terminal

Set = A and B get connected

Mounting Conditions:



Permitted Screwing Torque: 13Nm max.  
This screwing torque will not cause any defect on the relay



Tyco Electronics Part Number  
1-1414939-4

PROPRIETARY <small>THE REPRODUCTION, TRANSMISSION OR USE OF THIS DOCUMENT OR IT'S CONTENTS IS NOT PERMITTED WITHOUT EXPRESSED WRITTEN AUTHORITY. OFFENDERS WILL BE LIABLE FOR ALL DAMAGES. ALL RIGHTS, INCLUDING RIGHTS CREATED BY REGISTERED PATENTS ARE GRANTED FOR A UTILITY MODEL OR DESIGN, ARE RESERVED.</small>		CHANGES TO THIS DRAWING MUST BE DONE ONLY IN CAD	PAPER SIZE A1
APPLICABLE SPEC. :		FINISH	
DIMENSIONS APPLY		PLATING	SCALE <b>2:1</b>
TOLERANCE UNLESS SPECIFIED OTHERWISE 150 8015 150 2788-cl		MATERIAL	
DIMENSIONS IN MM		WEIGHT	
DATE 28.02.2002	NAME (h.hofmeier)	PART NAME <b>BDS-A 14V Latching</b>	
APP.	REV.	PART NO. <b>V23130-C2021-A412-CD</b>	
LOCATION Bin P		Tyco Electronics	
Initial	2007-09-18	SHT. 1 OF 1	
REV. CHANGE ORDER	DATE APP.	APP.	