



Chipsmall Limited consists of a professional team with an average of over 10 year of expertise in the distribution of electronic components. Based in Hongkong, we have already established firm and mutual-benefit business relationships with customers from,Europe,America and south Asia,supplying obsolete and hard-to-find components to meet their specific needs.

With the principle of “Quality Parts,Customers Priority,Honest Operation,and Considerate Service”,our business mainly focus on the distribution of electronic components. Line cards we deal with include Microchip,ALPS,ROHM,Xilinx,Pulse,ON,Everlight and Freescale. Main products comprise IC,Modules,Potentiometer,IC Socket,Relay,Connector.Our parts cover such applications as commercial,industrial, and automotives areas.

We are looking forward to setting up business relationship with you and hope to provide you with the best service and solution. Let us make a better world for our industry!



Contact us

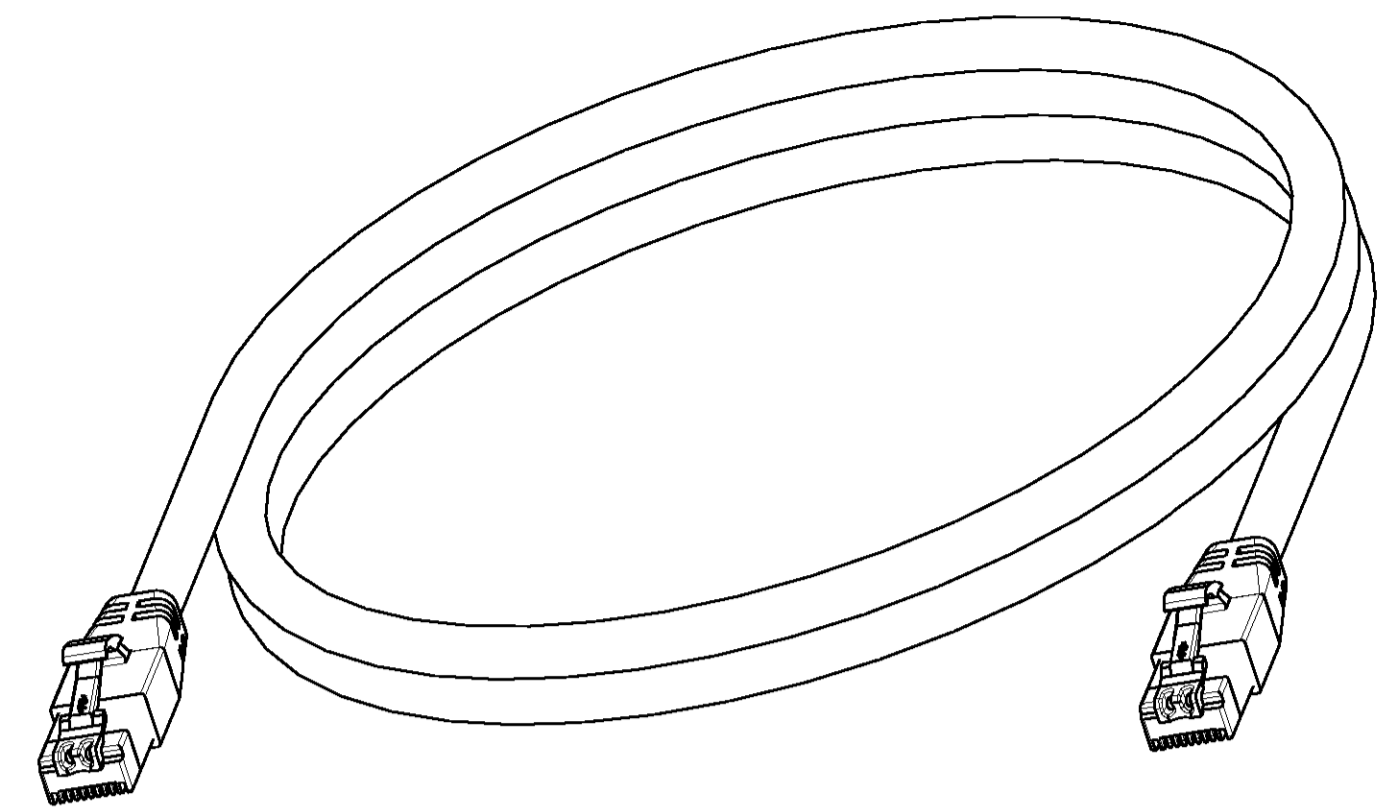
Tel: +86-755-8981 8866 Fax: +86-755-8427 6832

Email & Skype: info@chipsmall.com Web: www.chipsmall.com

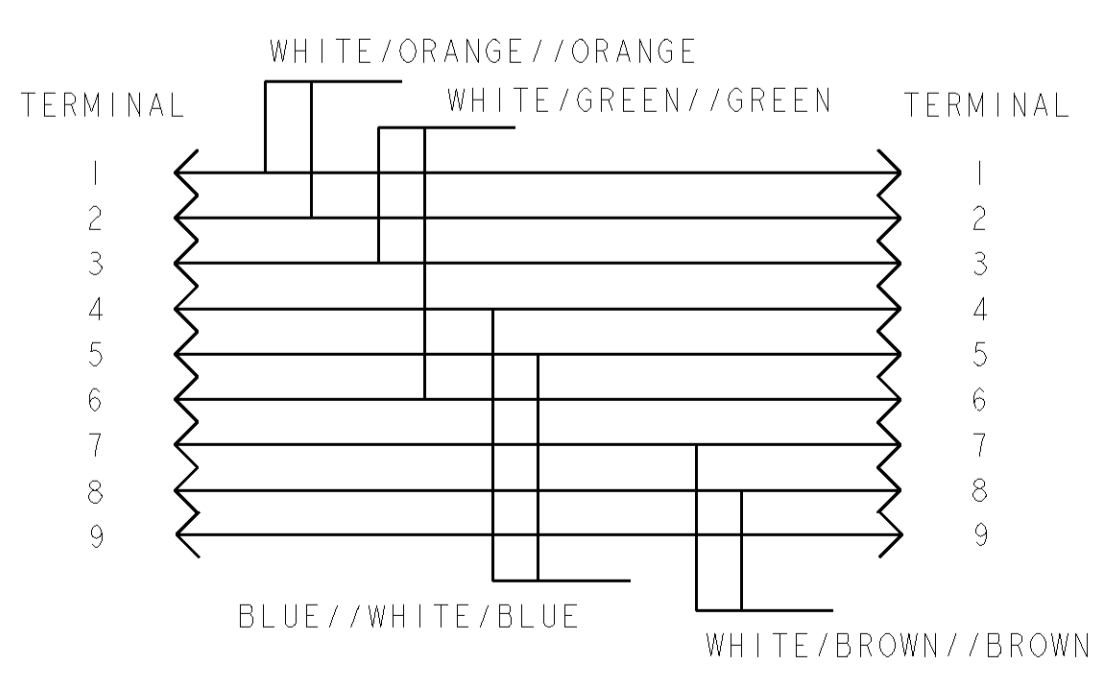
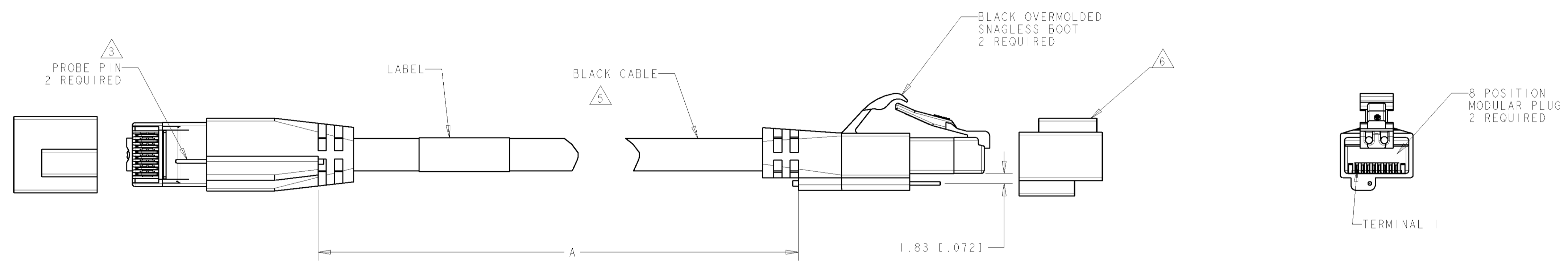
Address: A1208, Overseas Decoration Building, #122 Zhenhua RD., Futian, Shenzhen, China



LOC	DIST	REVISIONS					
HM	00	P	LTR	DESCRIPTION	DATE	DWN	APVD
		E		REV-EC 0B60-0050-04	28JUN04	LH	MD
		F		REV: EC 0B60-0118-04	28DEC2004	GG	MD



- ① CABLE ASSEMBLY SHALL BE WIRED PER WIRING DIAGRAM.
- 2. FINAL ASSEMBLY SHALL BE 568B COMPLIANT.
- ③ PROBE PINS ARE CONNECTED BY 9TH WIRE IN CABLE.
- ④ DIMENSIONS ARE MAXIMUM.
- ⑤ CABLE OUTSIDE DIAMETER IS 6.7 MM NOMINAL AND FOR REFERENCE ONLY.
- ⑥ PROTECTIVE CAPS TO BE REMOVED PRIOR TO MATING WITH MODULAR JACK, SHIPPED WITH CAPS INSTALLED.



① WIRING DIAGRAM 568B

45	13716.0 [540.00]	4-1435864-5
40	12192.0 [480.00]	4-1435864-0
25	7874.0 [310.00]	2-1435864-5
20	6096.0 [240.00]	2-1435864-0
16	5130.8 [202.00]	1-1435864-6
14	4521.2 [178.00]	1-1435864-4
10	3251.2 [128.00]	1-1435864-0
9	2895.6 [114.00]	1435864-9
7	2286.0 [90.00]	1435864-7
5	1676.4 [66.00]	1435864-5
4	1371.6 [54.00]	1435864-4
3	1066.8 [42.00]	1435864-3
2	762.0 [30.00]	1435864-2
FEET, REF		PART NO.

DIMENSIONS: MM [INCH]		TOLERANCES UNLESS OTHERWISE SPECIFIED: 0 PLC ± 1 PLC ± 2 PLC ± 3 PLC ± 4 PLC ± ANGLES ± FINISH -		DWN: L. HALL 05FEB04 ENR: M. DELPHIAS 06FEB04 APVD: M. DELPHIAS 06FEB04		tyco Tyco Electronics Harrisburg, Pa., 17105-3608	
MATERIAL: -		FINISH: -		NAME: PATCH CORD, AMPTRAC CATEGORY 6, NON-PLENUM, BLACK W/BLK BOOTS		SIZE: A 00779 C=1435864	
CUSTOMER DRAWING		WEIGHT: -		SCALE: NTS		SHEET 1 OF 1 REV F	