



Chipsmall Limited consists of a professional team with an average of over 10 year of expertise in the distribution of electronic components. Based in Hongkong, we have already established firm and mutual-benefit business relationships with customers from,Europe,America and south Asia,supplying obsolete and hard-to-find components to meet their specific needs.

With the principle of "Quality Parts,Customers Priority,Honest Operation,and Considerate Service",our business mainly focus on the distribution of electronic components. Line cards we deal with include Microchip,ALPS,ROHM,Xilinx,Pulse,ON,Everlight and Freescale. Main products comprise IC,Modules,Potentiometer,IC Socket,Relay,Connector.Our parts cover such applications as commercial,industrial, and automotives areas.

We are looking forward to setting up business relationship with you and hope to provide you with the best service and solution. Let us make a better world for our industry!



Contact us

Tel: +86-755-8981 8866 Fax: +86-755-8427 6832

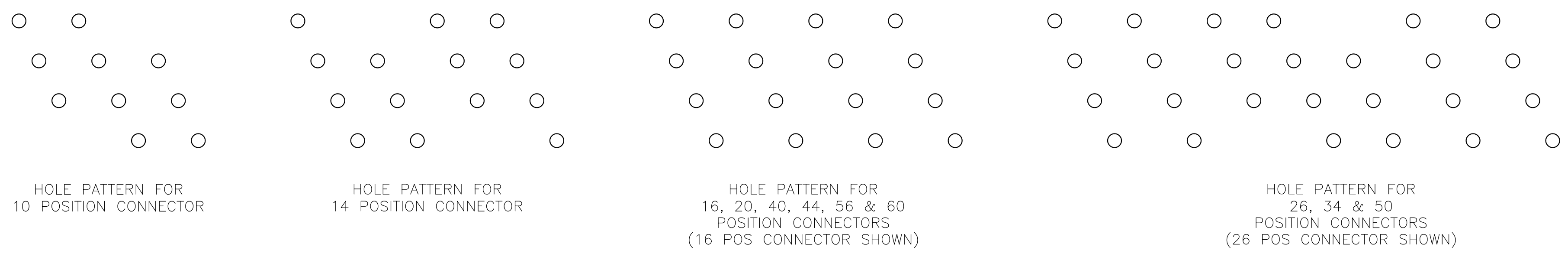
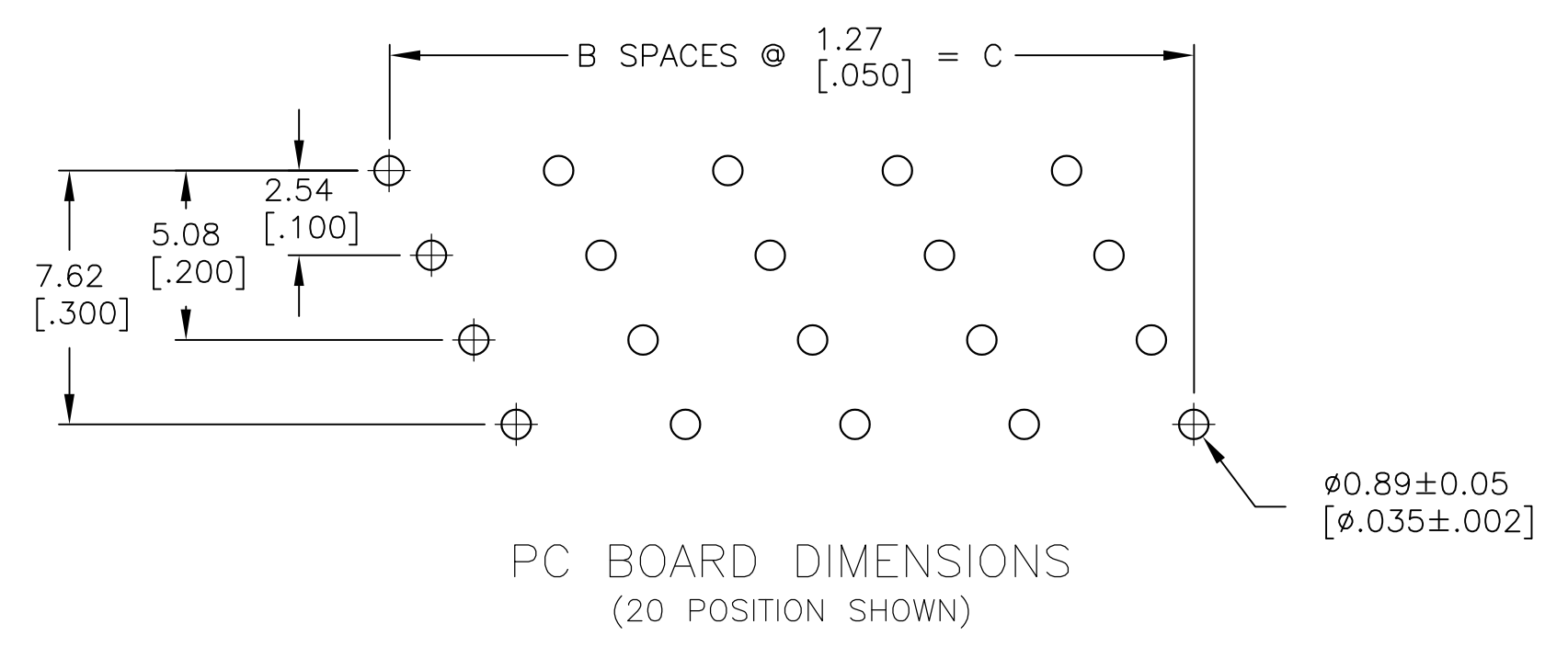
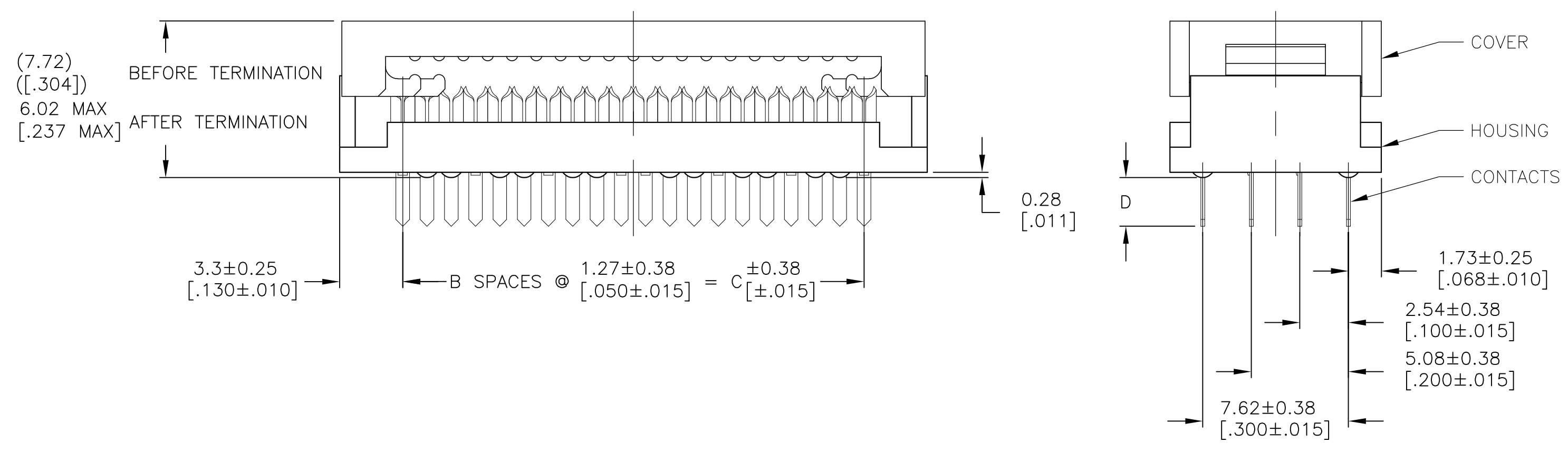
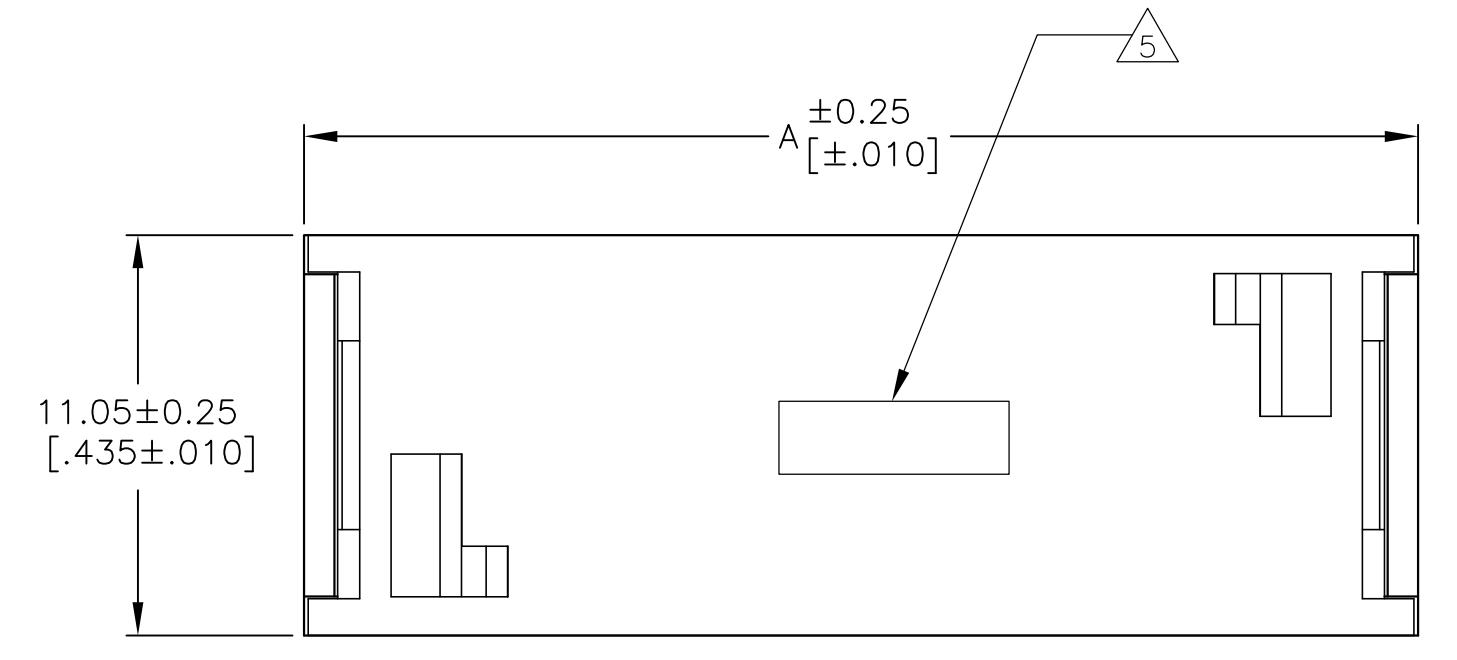
Email & Skype: info@chipsmall.com Web: www.chipsmall.com

Address: A1208, Overseas Decoration Building, #122 Zhenhua RD., Futian, Shenzhen, China



ELECTRICAL PROPERTIES	
CURRENT RATING	1 AMP
INSULATION RESISTANCE	>1 x 10 ⁹ OHMS @ 500 VDC
DWV	>500 VRMS AT SEA LEVEL
ENVIRONMENTAL PROPERTIES	
TEMPERATURE RATING	-55°C TO 125°C

- 1 20 POSITION ASSEMBLY SHOWN.
- 2 HOUSING AND COVER: GLASS REINFORCED POLYESTER, UL94V-0 RATED, COLOR BLUE. CONTACTS: BERYLLIUM COPPER.
- 3 CONTACTS: 0.00254[.000100] MIN TIN-LEAD OVER 0.00127[.000050] MIN NICKEL.
- 4 OBSOLETE PARTS: OBSOLETE CIS STREAMLINING PER D.RENAUD/D.SINISI
- 5 COMPANY LOGO IN APPROXIMATE AREA SHOWN.



	OBSOLETE	2.54 .100	74.93 [2.950]	59	81.53 [3.210]	60	609-6003	3-1437006-6
	SUPERSEDED BY 3-6437006-2	3.96 [.156]	62.23 [2.450]	49	68.83 [2.710]	50	609-5043	3-1437006-2
	OBSOLETE	2.54 .100	62.23 [2.450]	49	68.83 [2.710]	50	609-5003	3-1437006-1
	SUPERSEDED BY 2-6437006-9	2.54 .100	54.61 [2.150]	43	61.21 [2.410]	44	609-4403	2-1437006-9
	OBSOLETE	3.96 [.156]	49.53 [1.950]	39	56.13 [2.210]	40	609-4043	2-1437006-7
	OBSOLETE	2.54 [.100]	49.53 [1.950]	39	56.13 [2.210]	40	609-4003	2-1437006-6
	SUPERSEDED BY 2-6437006-3	3.96 [.156]	41.91 [1.650]	33	48.51 [1.910]	34	609-3443	2-1437006-3
	SUPERSEDED BY 2-6437006-2	2.54 [.100]	41.91 [1.650]	33	48.51 [1.910]	34	609-3403	2-1437006-2
	SUPERSEDED BY 2-6437006-0	3.96 [.156]	31.75 [1.250]	25	38.35 [1.510]	26	609-2643	2-1437006-0
		2.54 [.100]	31.75 [1.250]	25	38.35 [1.510]	26	609-2603	1-1437006-8
	SUPERSEDED BY 1-6437006-5	3.96 [.156]	24.13 [.950]	19	30.73 [1.210]	20	609-2043	1-1437006-5
	SUPERSEDED BY 1-6437006-4	2.54 [.100]	24.13 [.950]	19	30.73 [1.210]	20	609-2003	1-1437006-4
	OBSOLETE	3.96 [.156]	19.05 [.750]	15	25.65 [1.010]	16	609-1643	1-1437006-2
	SUPERSEDED BY 1-6437006-1	2.54 [.100]	19.05 [.750]	15	25.65 [1.010]	16	609-1603	1-1437006-1
	SUPERSEDED BY 0-6437006-9	3.96 [.156]	16.51 [.650]	13	23.11 [.910]	14	609-1443	1-1437006-9
	SUPERSEDED BY 0-6437006-8	2.54 [.100]	16.51 [.650]	13	23.11 [.910]	14	609-1403	1437006-8
	OBSOLETE	3.96 [.156]	11.43 [.450]	9	18.03 [.710]	10	609-1043	1437006-6
	SUPERSEDED BY 0-6437006-5	2.54 [.100]	11.43 [.450]	9	18.03 [.710]	10	609-1003	1437006-5

THIS DRAWING IS A CONTROLLED DOCUMENT.

DIMENSIONS: mm(INCHES)	TOLERANCES UNLESS OTHERWISE SPECIFIED:	APVD M. WALMSLEY	NAME PCB TRANSITION CONNECTOR ASSY
0 PLC ± .005	1 PLC ± .005	2 PLC ± .010	3 PLC ± .013[.005]
4 PLC ± .015	ANGLES ± .005		
MATERIAL	FINISH	WEIGHT	RESTRICTED TO

Customer Drawing

Scale: 5:1

Sheet: 1 of 1

Rev: C