



Chipsmall Limited consists of a professional team with an average of over 10 year of expertise in the distribution of electronic components. Based in Hongkong, we have already established firm and mutual-benefit business relationships with customers from,Europe,America and south Asia,supplying obsolete and hard-to-find components to meet their specific needs.

With the principle of “Quality Parts,Customers Priority,Honest Operation,and Considerate Service”,our business mainly focus on the distribution of electronic components. Line cards we deal with include Microchip,ALPS,ROHM,Xilinx,Pulse,ON,Everlight and Freescale. Main products comprise IC,Modules,Potentiometer,IC Socket,Relay,Connector.Our parts cover such applications as commercial,industrial, and automotives areas.

We are looking forward to setting up business relationship with you and hope to provide you with the best service and solution. Let us make a better world for our industry!



## Contact us

Tel: +86-755-8981 8866 Fax: +86-755-8427 6832

Email & Skype: info@chipsmall.com Web: www.chipsmall.com

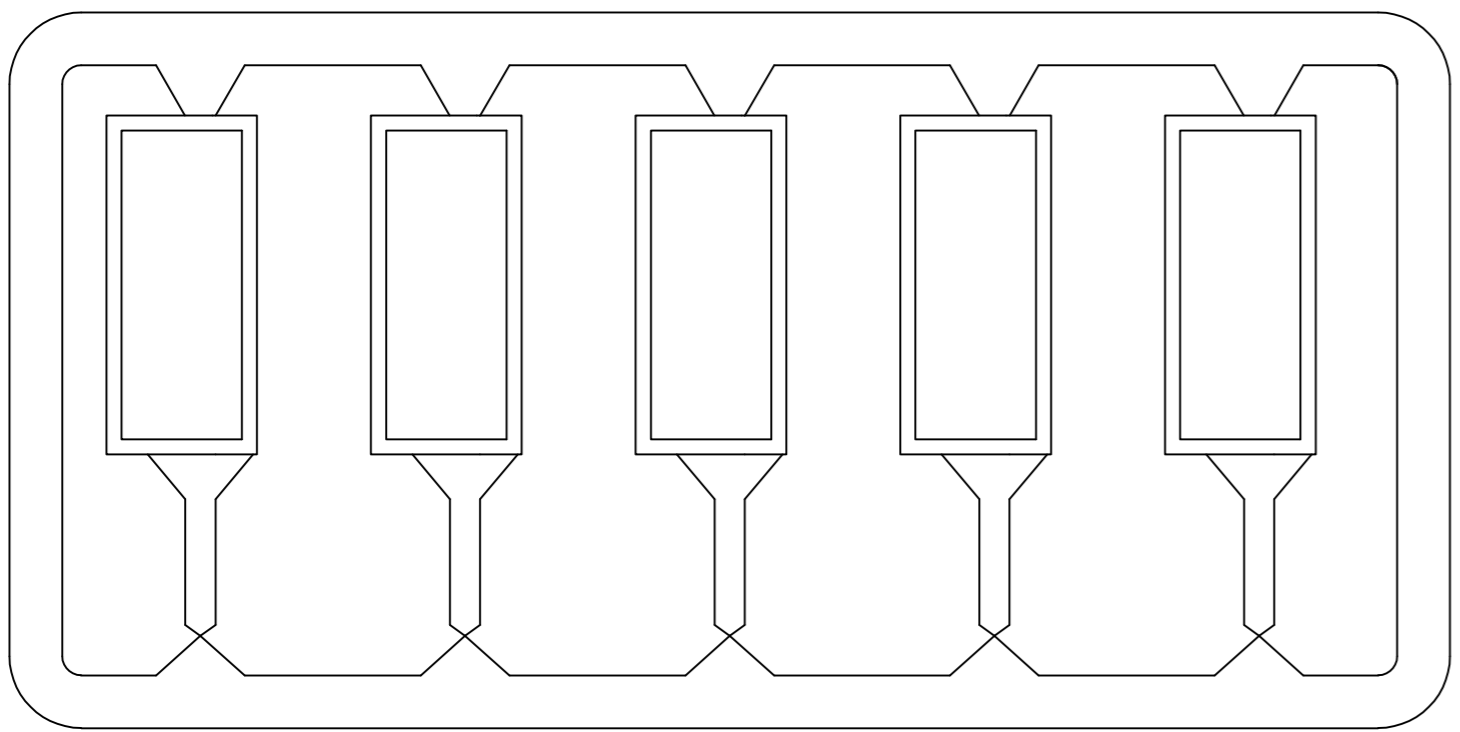
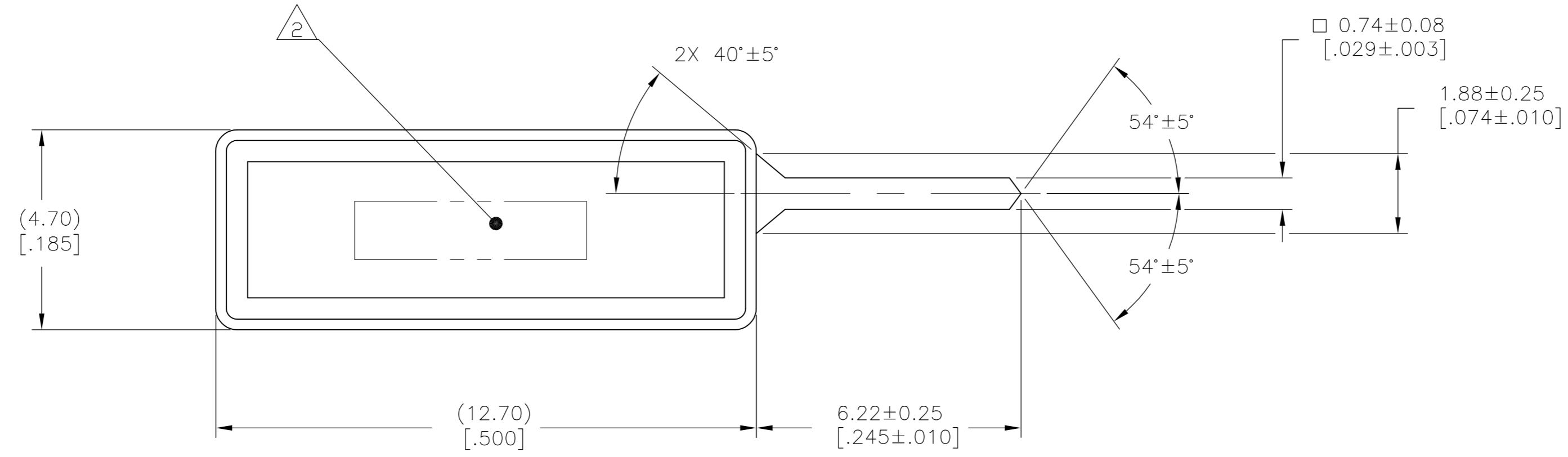
Address: A1208, Overseas Decoration Building, #122 Zhenhua RD., Futian, Shenzhen, China



THIS DRAWING IS UNPUBLISHED. RELEASED FOR PUBLICATION APRIL, 2010.  
 © COPYRIGHT 2010 BY TYCO ELECTRONICS CORPORATION. ALL INTERNATIONAL RIGHTS RESERVED.

LOC	DIST	REVISIONS					
GP	00	P	LTR	DESCRIPTION	DATE	DWN	APVD
		B		REDRAWN PER ECO-10-009143	29APR2010	CJV	CWR

- 1 MATERIAL: GLASS REINFORCED THERMOPLASTIC RATED 94V-0.
- 2 COMPANY LOGO IN APPROXIMATE AREA SHOWN.



1 PART NUMBER INCLUDES 5 PLUGS PER ABOVE

	1-1437023-2	609-0000	BLUE
OBSOLETE	4-1437025-4	636-0000	BLACK
OBSOLETE	1-1437023-5	622-0000	BLUE
	TYCO ELECTRONICS PART NUMBER	T&B PART NUMBER (REF)	COLOR

THIS DRAWING IS A CONTROLLED DOCUMENT.		DWN C. VALENTINE 29APR2010	Tyco Electronics Corporation Harrisburg, PA 17105-3608	
DIMENSIONS: mm [INCHES]		CHK C. ROHDE 29APR2010	NAME POLARIZING PLUG FEMALE SOCKET TRANSITION CONNECTOR	
TOLERANCES UNLESS OTHERWISE SPECIFIED: 0 PLC ± - 1 PLC ± - 2 PLC ± - 3 PLC ± - 4 PLC ± - ANGLES ± -		APVD C. ROHDE 29APR2010	PRODUCT SPEC -	
MATERIAL 1		FINISH -	APPLICATION SPEC -	RESTRICTED TO -
WEIGHT -		SIZE A2	CAGE CODE 00779	DRAWING NO 1-1437023-2
CUSTOMER DRAWING		SCALE NTS	SHEET 1 of 1	REV B