



Chipsmall Limited consists of a professional team with an average of over 10 year of expertise in the distribution of electronic components. Based in Hongkong, we have already established firm and mutual-benefit business relationships with customers from,Europe,America and south Asia,supplying obsolete and hard-to-find components to meet their specific needs.

With the principle of "Quality Parts,Customers Priority,Honest Operation,and Considerate Service",our business mainly focus on the distribution of electronic components. Line cards we deal with include Microchip,ALPS,ROHM,Xilinx,Pulse,ON,Everlight and Freescale. Main products comprise IC,Modules,Potentiometer,IC Socket,Relay,Connector.Our parts cover such applications as commercial,industrial, and automotives areas.

We are looking forward to setting up business relationship with you and hope to provide you with the best service and solution. Let us make a better world for our industry!



## Contact us

Tel: +86-755-8981 8866 Fax: +86-755-8427 6832

Email & Skype: info@chipsmall.com Web: www.chipsmall.com

Address: A1208, Overseas Decoration Building, #122 Zhenhua RD., Futian, Shenzhen, China

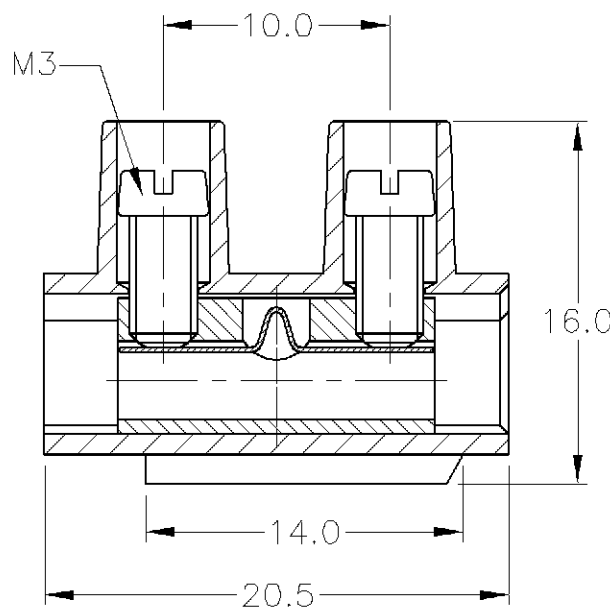
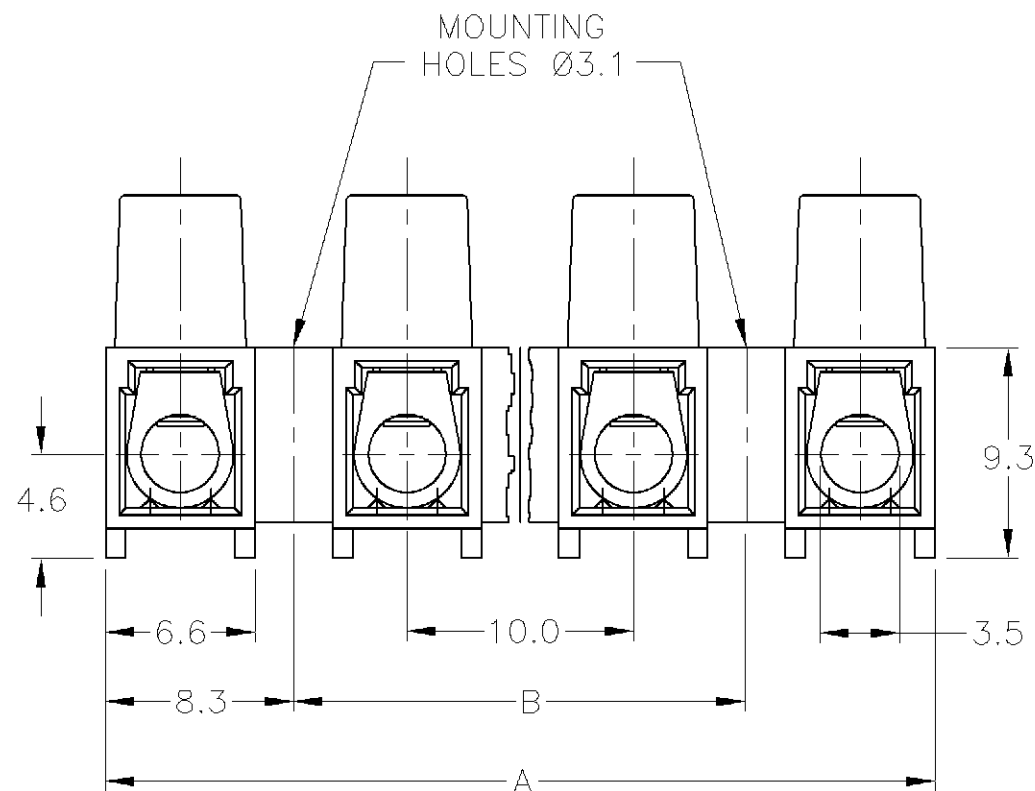


THIS DRAWING IS UNPUBLISHED. RELEASED FOR PUBLICATION  
 © COPYRIGHT BY TYCO ELECTRONICS CORPORATION. ALL RIGHTS RESERVED.

LOC	DIST	REVISIONS			
P	LTR	DESCRIPTION	DATE	DWN	APVD
FT	0	A	REVISED PER 0G3B-0043-02	23JAN02	EZ DB

NOTE

- MATERIAL  
HOUSING - POLYIMIDE 6 UL94V-2  
COLOR - NATURAL(OFF WHITE)
- CURRENT RATING: 30A, 250V  
10-22 AWG



SIZE	DIM B	DIM A	T & B PART NUMBER	TYCO PART NUMBER
100	116.6	TSB500 1231DS	2-1437388-4	
90	106.6	TSB500 1131DS	796613-2	
80	96.6	TSB500 1031DS	2-1437388-2	
70	86.6	TSB500 0931DS	2-1437388-0	
60	76.6	TSB500 0831DS	1-1437388-8	
50	66.6	TSB500 0731DS	1-1437388-6	
40	56.6	TSB500 0631DS	1-1437388-5	
30	46.6	TSB500 0531DS	1-1437388-2	
20	36.6	TSB500 0431DS	1-1437388-1	
10	26.6	TSB500 0331DS	1437388-9	
-	16.6	TSB500 0213DS	1437388-7	
-	6.6	TSB500 0131DS	796613-1	
DIM B	DIM A	T & B PART NUMBER	TYCO PART NUMBER	

THIS DRAWING IS A CONTROLLED DOCUMENT.		DWN E. ZANOLINI 25JAN2002	Tyco Electronics Corporation Harrisburg, PA 17105-3608 <b>NOT THE LATEST REVISION</b>				
DIMENSIONS: MM		CHK E. ZANOLINI 23JAN02				NAME	EUROPA TERMINAL BLOCK W/WIRE PROTECTOR
TOLERANCES UNLESS OTHERWISE SPECIFIED:		APVD D. BIEVENOUR 23JAN02				PRODUCT SPEC	MOUNTING HOLES Ø 3.1, 10mm PITCH
0 PLC ± - 1 PLC ± .3 2 PLC ± .25 3 PLC ± - 4 PLC ± - ANGLES ± 2		APPLICATION SPEC				SIZE	CAGE CODE
MATERIAL		WEIGHT	A3	00779	DRAWING NO	RESTRICTED TO	
FINISH		CUSTOMER DRAWING		C-796613	SCALE	SHEET	
					1:1	1 OF 1	
						REV A	