



Chipsmall Limited consists of a professional team with an average of over 10 year of expertise in the distribution of electronic components. Based in Hongkong, we have already established firm and mutual-benefit business relationships with customers from,Europe,America and south Asia,supplying obsolete and hard-to-find components to meet their specific needs.

With the principle of "Quality Parts,Customers Priority,Honest Operation,and Considerate Service",our business mainly focus on the distribution of electronic components. Line cards we deal with include Microchip,ALPS,ROHM,Xilinx,Pulse,ON,Everlight and Freescale. Main products comprise IC,Modules,Potentiometer,IC Socket,Relay,Connector.Our parts cover such applications as commercial,industrial, and automotives areas.

We are looking forward to setting up business relationship with you and hope to provide you with the best service and solution. Let us make a better world for our industry!



Contact us

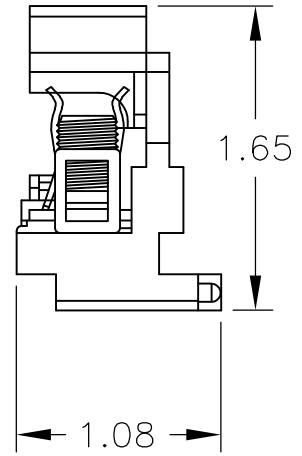
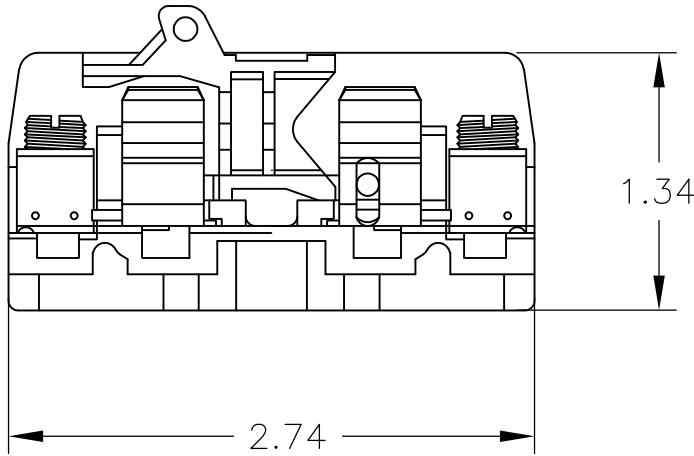
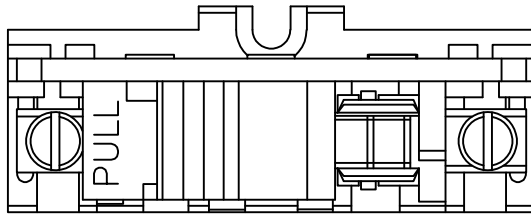
Tel: +86-755-8981 8866 Fax: +86-755-8427 6832

Email & Skype: info@chipsmall.com Web: www.chipsmall.com

Address: A1208, Overseas Decoration Building, #122 Zhenhua RD., Futian, Shenzhen, China



LOC	DIST	REVISIONS					
—	—	P	LTR	DESCRIPTION	DATE	DWN	APVD
		B		REVISED PER ECO-12-006553	10APR12	KH	MS



0352	PHENOLIC, DOVETAIL	1-1437397-0
352	PHENOLIC, FLAT	3-1437397-0
P0312	POLY DOVETAIL	4-1437397-2
0312	NYLON DOVETAIL	1437397-2
CAT. NO.	DESCRIPTION	PART NO.

RELEASED FOR PUBLICATION

ALL RIGHTS RESERVED.

THIS DRAWING IS UNPUBLISHED.

By -
COPYRIGHT -

DIMENSIONS:	
INCHES	
TOLERANCES UNLESS OTHERWISE SPECIFIED:	
0 PLC	± -
1 PLC	± -
2 PLC	± .01
3 PLC	± .005
4 PLC	± .0005
ANGLES	± 1°

DWN RAGHAVENDRA	30SEP08	MATERIAL	FINISH	
CHK MACE SAM	30SEP08	TE Connectivity		
APVD MACE SAM	30SEP08			
PRODUCT SPEC	—	NAME CONTACT SECTION W/ FUSE PULLER & TUBULAR CONTACT		
APPLICATION SPEC	—	SIZE	CAGE CODE	DRAWING NO
WEIGHT	—	A4	00779	C-1437397-2
CUSTOMER DRAWING		SCALE	1:1	SHEET 1 OF 1
				REV B