



Chipsmall Limited consists of a professional team with an average of over 10 year of expertise in the distribution of electronic components. Based in Hongkong, we have already established firm and mutual-benefit business relationships with customers from,Europe,America and south Asia,supplying obsolete and hard-to-find components to meet their specific needs.

With the principle of “Quality Parts,Customers Priority,Honest Operation,and Considerate Service”,our business mainly focus on the distribution of electronic components. Line cards we deal with include Microchip,ALPS,ROHM,Xilinx,Pulse,ON,Everlight and Freescale. Main products comprise IC,Modules,Potentiometer,IC Socket,Relay,Connector.Our parts cover such applications as commercial,industrial, and automotives areas.

We are looking forward to setting up business relationship with you and hope to provide you with the best service and solution. Let us make a better world for our industry!



Contact us

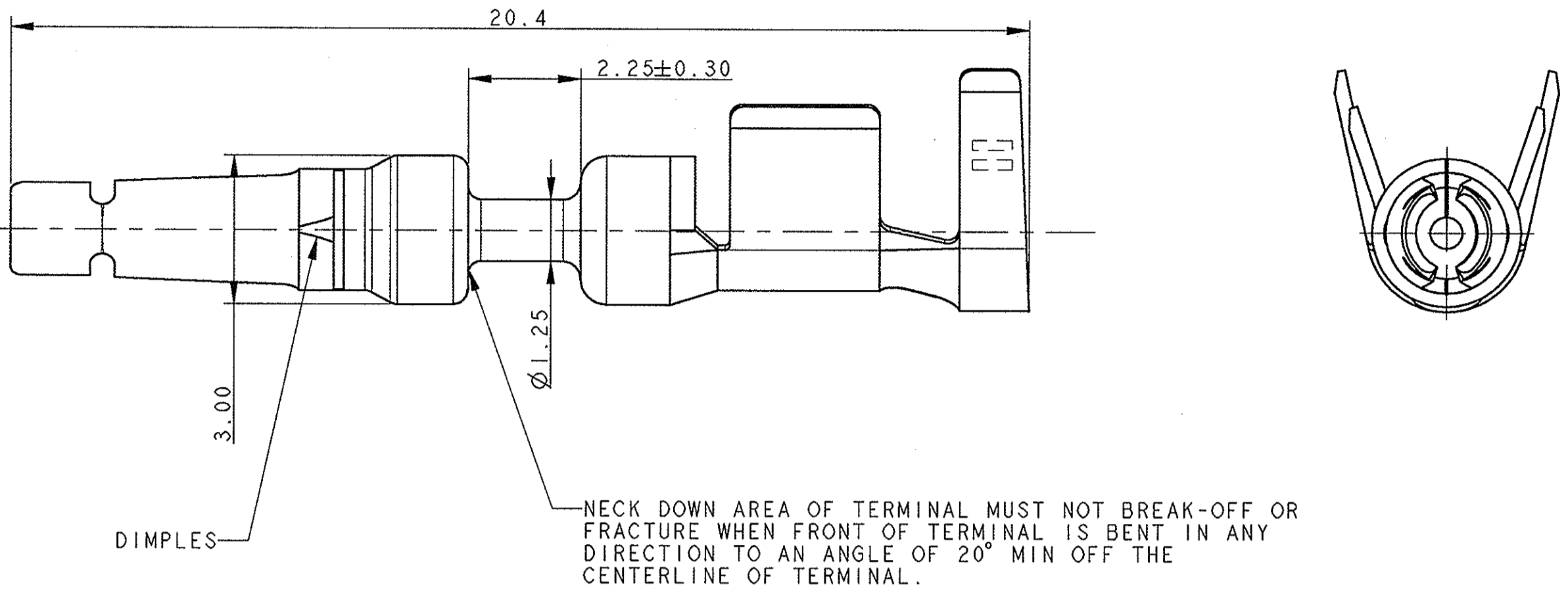
Tel: +86-755-8981 8866 Fax: +86-755-8427 6832

Email & Skype: info@chipsmall.com Web: www.chipsmall.com

Address: A1208, Overseas Decoration Building, #122 Zhenhua RD., Futian, Shenzhen, China



LOC	DIST	REVISIONS				
A1	-	P	LFR	DATE	OWN	APVD
		P		REVISED AND REDRAWN FOR ECR-07-014697	02JUL2007	M.P. R.M.

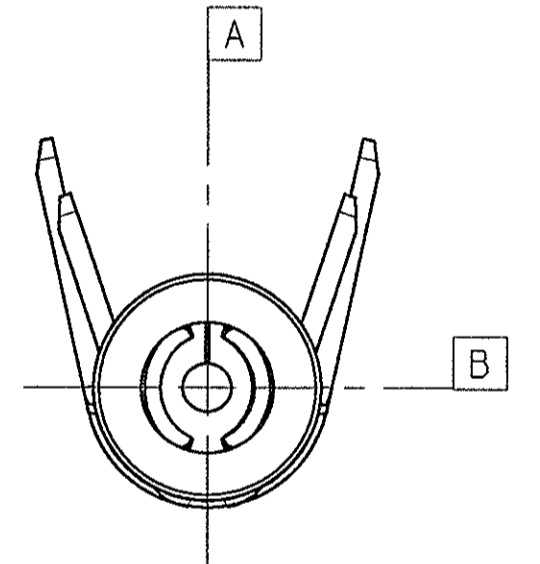
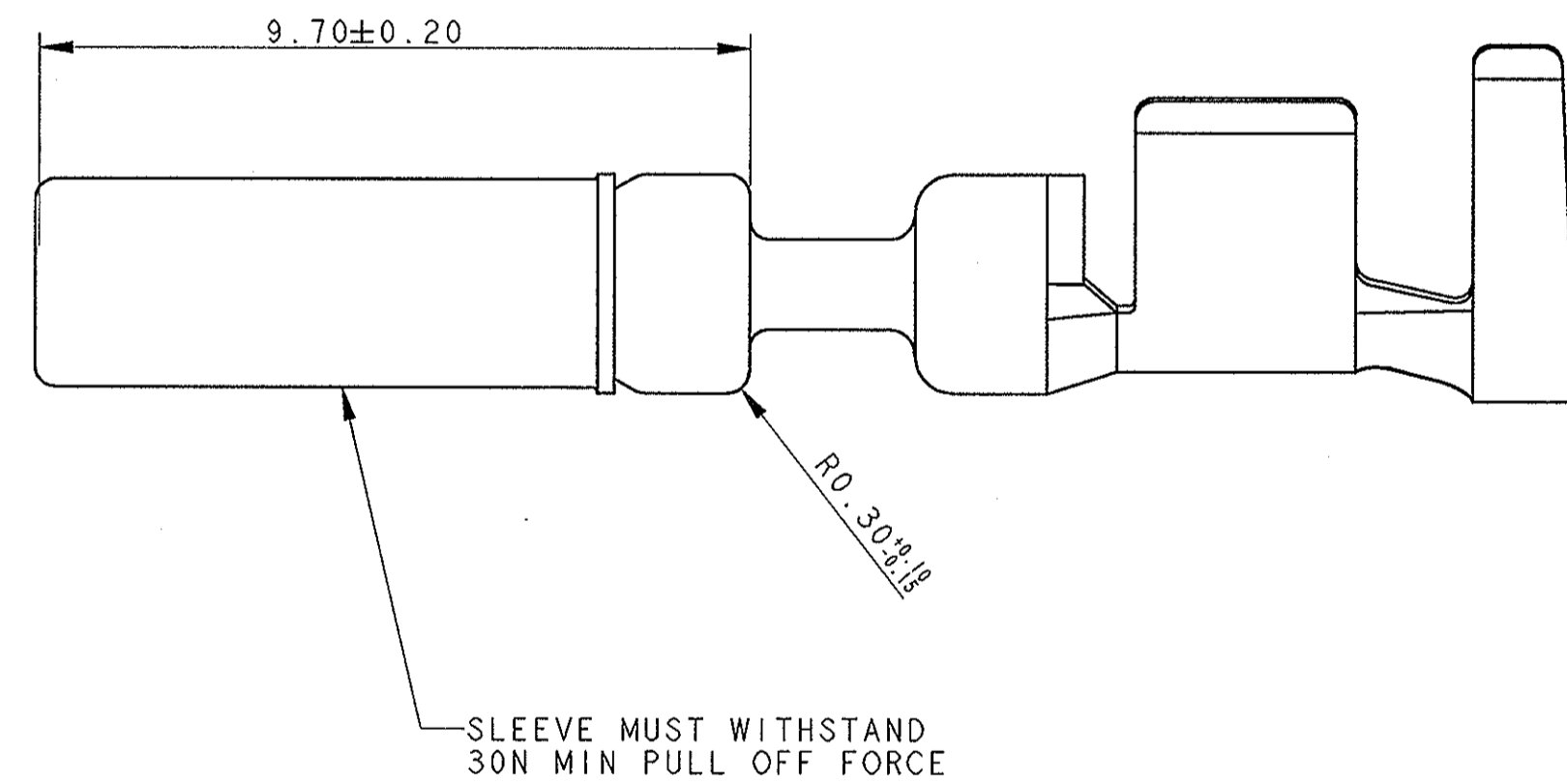
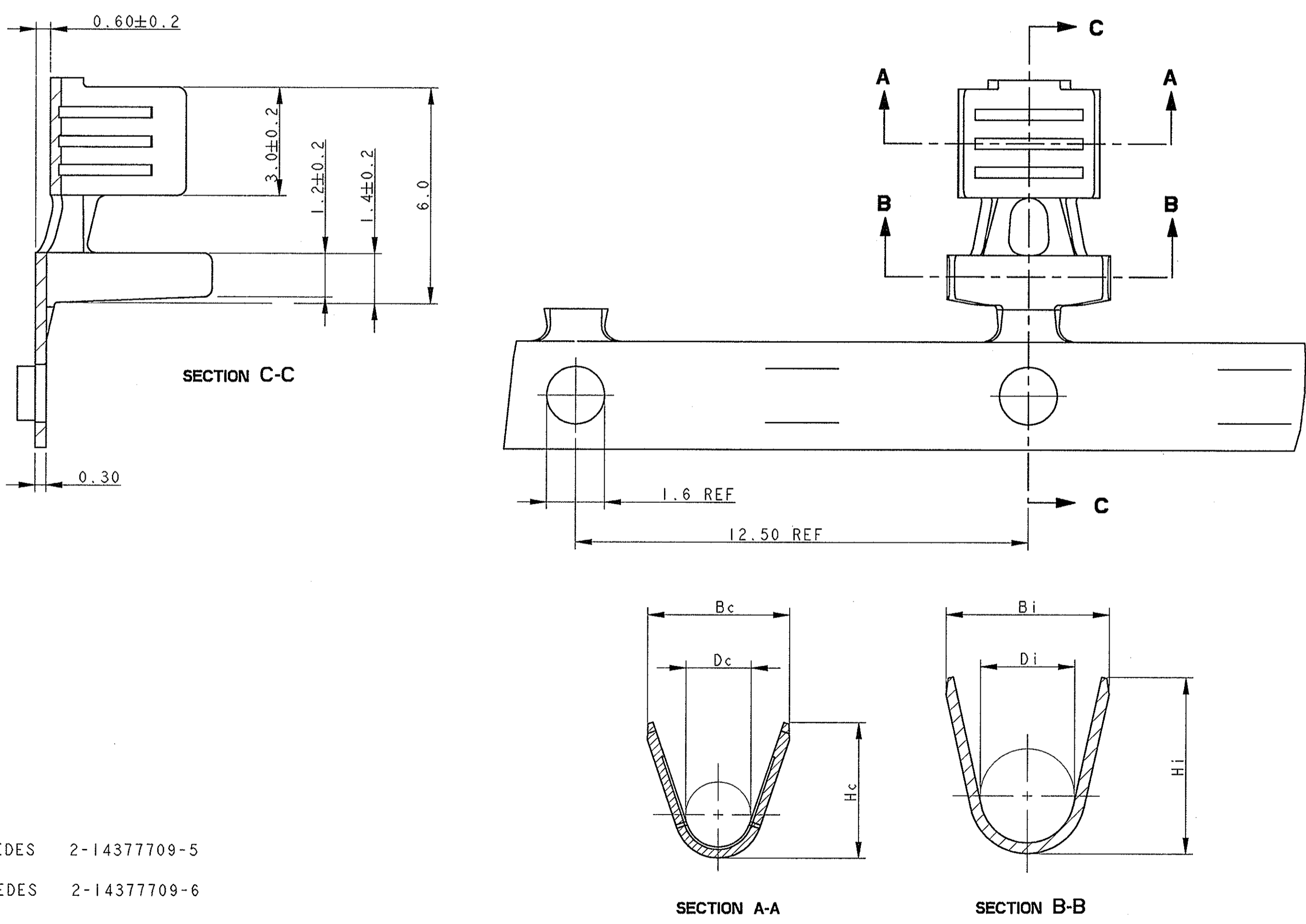
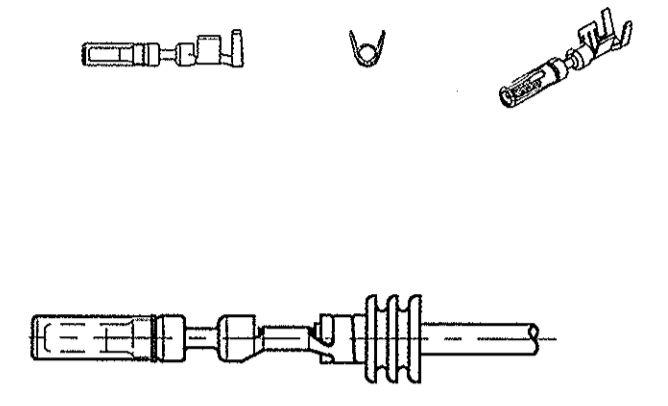


VIEW WITHOUT SLEEVE

CRIMP TYPE	Bc	Dc	Hc	Bi	Di	Hi	CRIMP CODE
c	3.70 ±0.15	1.80 ±0.2	3.90 ±0.15	4.70 ±0.15	2.60 ±0.2	4.90 ±0.15	≡≡≡
b	2.60 ±0.15	1.20 ±0.2	2.90 ±0.15	3.60 ±0.15	2.00 ±0.2	4.00 ±0.15	≡≡≡
d	2.00 ±0.15	0.80 ±0.2	2.20 ±0.15	2.80 ±0.15	1.60 ±0.2	3.00 ±0.15	≡

FULL SIZE VIEWS
SCALE 1.000

FULL ASSY VIEW
WATERPROOF
SCALE 2.000

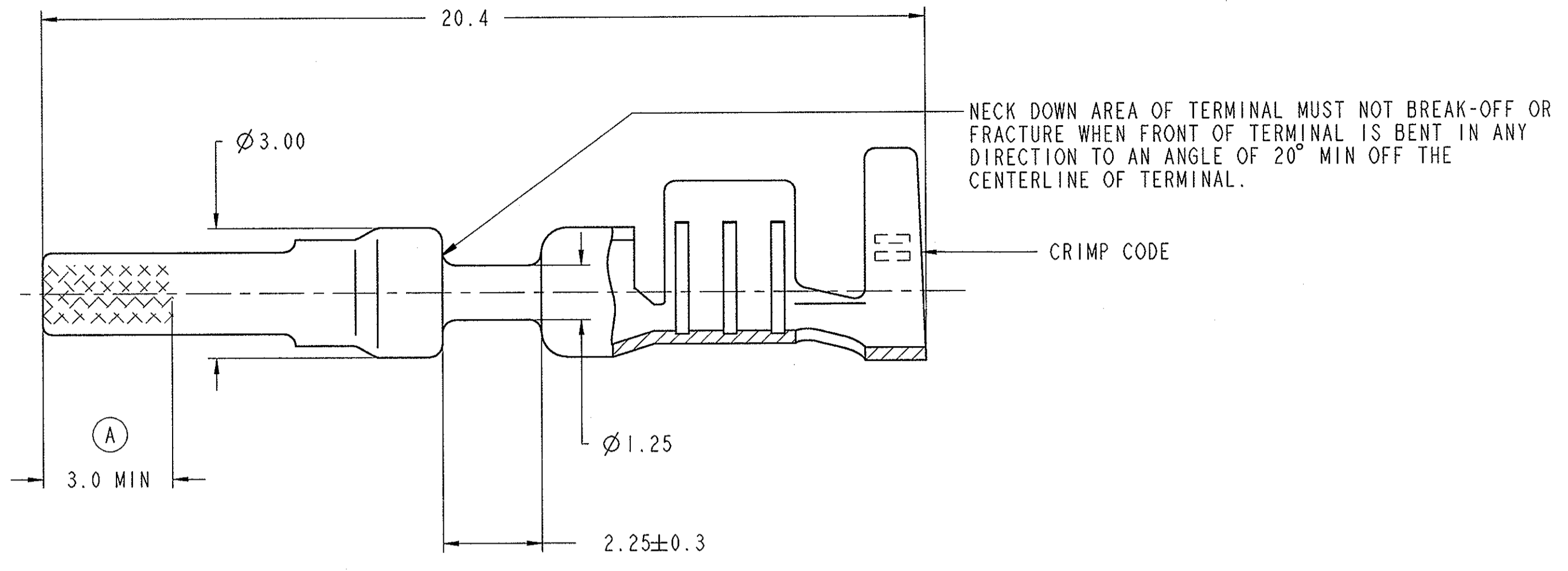


- 1 SUPERSEDES 2-1437709-5
- 2 SUPERSEDES 2-1437709-6
- 3 SUPERSEDES 2-1437709-7

PART AS SUPPLIED							COMPONENTS			MATERIALS			COMPONENTS SUPPLIED APART		TO FIT IN CAVITY	
P/N	PART REV.	DESCRIPTION	WATERPROOF	WIRE CROSS SEC. AREA	CRIMP CODE	CRIMP SPEC.	WEIGHT	TERMINAL	SLEEVE	WIRE SEAL	TERMINAL	SLEEVE	GREASE	WIRE SEAL	TYPE	DESCRIPTION
1-1437709-4		TERMINAL FEMALE TIN PLT.	YES	0.22-0.35mm ²	≡		0.402gr.	I	I	SEE CHART	DIN 17670 (CuSn6) TIN PLATED BRIGHT	ALLOY 230 RICH LOW BRASS	LITHIUM SOAP ZINC OXIDE	1-1437713-1 (0.22-0.35) BLACK	AC/T/191/95	CAVITY TERMINAL FEMALE
1-1437709-5	B	TERMINAL FEMALE TIN PLT.		0.50-1.00mm ²	≡≡	0.422gr.	I	I	1-1437713-2 (0.50-1.00) RED							
1-1437709-6		TERMINAL FEMALE TIN PLT.		1.50-2.50mm ²	≡≡≡	0.443gr.	I	I	1-1437713-3 (1.50) BLUE							
1-1437709-4	B	TERMINAL FEMALE TIN PLT.	NO	0.22-0.35mm ²	≡	AC/T/18/95	0.402gr.	I	I	NOT USED						
2-1437709-8	P	TERMINAL FEMALE TIN PLT.		0.50-1.00mm ²	≡≡	0.422gr.	I	I	WITHOUT GREASE							
1-1437709-5	B	TERMINAL FEMALE TIN PLT.		0.50-1.00mm ²	≡≡	0.422gr.	I	I	LITHIUM SOAP ZINC OXIDE							
1-1437709-6	B	TERMINAL FEMALE TIN PLT.		1.50-2.50mm ²	≡≡≡	0.443gr.	I	I								

DIMENSIONS: mm		TOLERANCES UNLESS OTHERWISE SPECIFIED:		DWN M. PALMA 20JUN2007		tyco Electronics AMP ITALIA S.p.A. Corso F.lli Cervi, 15 Collegno (TO)	
0 PLC ±0.3		1 PLC ±0.1		CHK R. MARTINI 20JUN2007		1,6 SYSTEM TERMINAL FEMALE TIN PLATED	
2 PLC ±0.1		3 PLC ±0.1		APVD A. GENTA 20JUN2007		SIZE CAGE CODE DRAWING NO	
4 PLC ±0.1		ANGLES ±1°		PRODUCT SPEC 108-20260		A11 00779 C-1418069	
MATERIAL		FINISH		APPLICATION SPEC 114-20121		RESTRICTED TO	
				WEIGHT		CUSTOMER DRAWING	

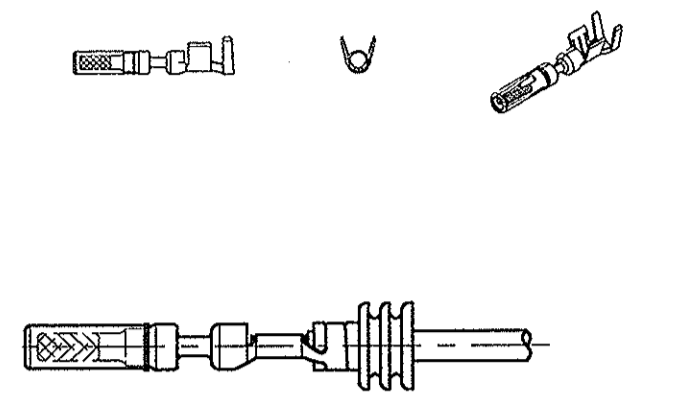
LOC	DIST	REV	DESCRIPTION	DATE	BY	APPV
A1	-	-	-SEE SHEET 1-	-	-	-



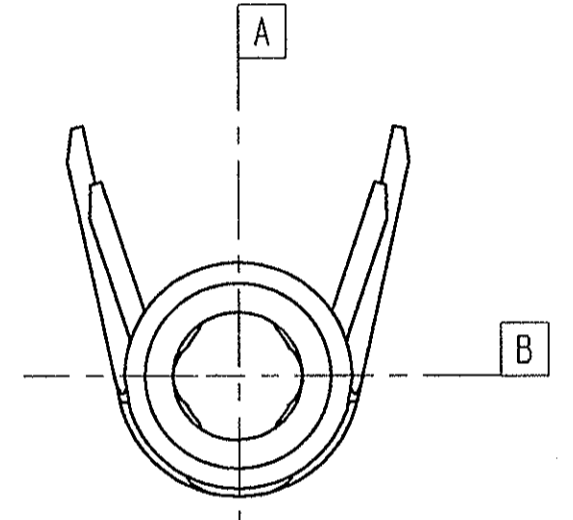
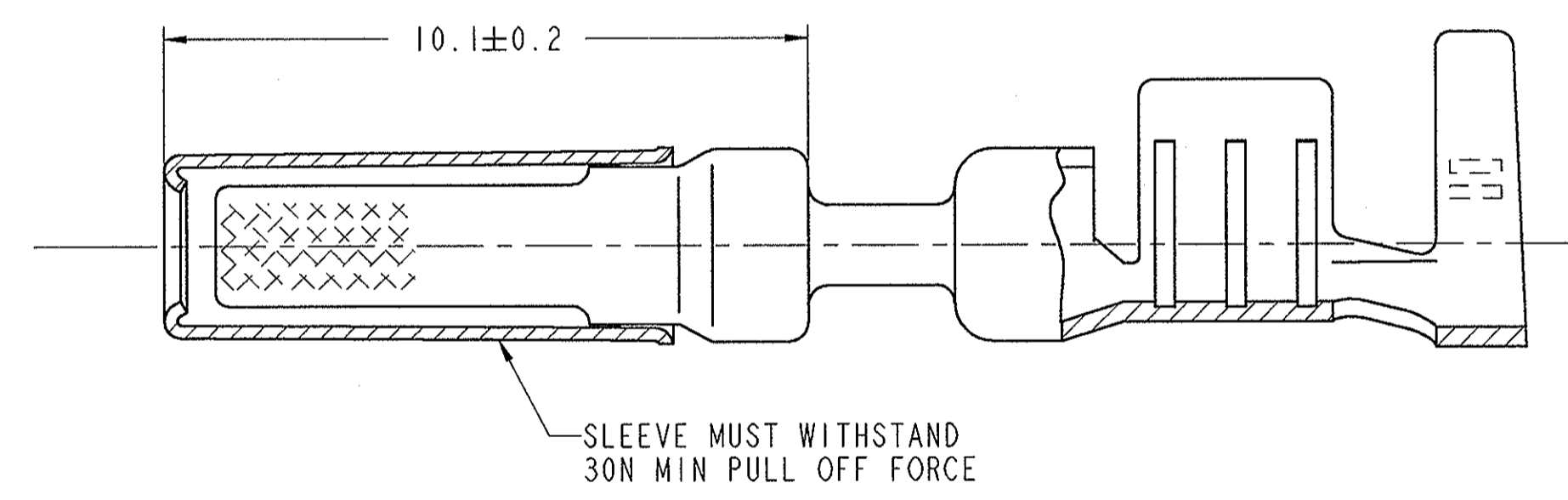
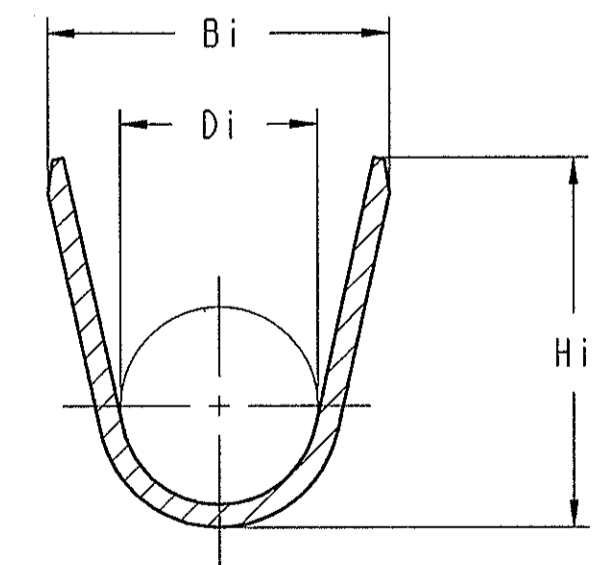
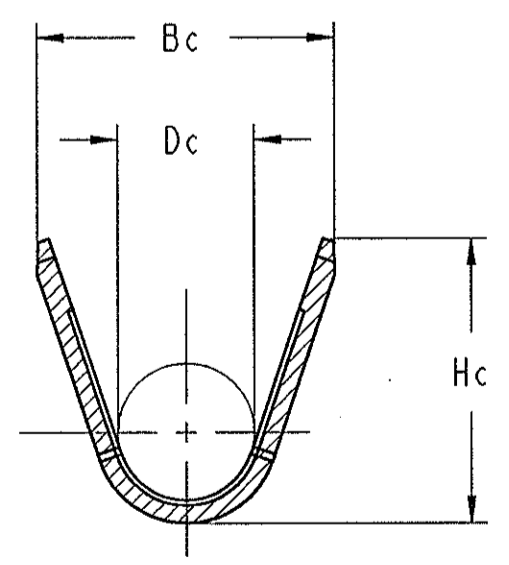
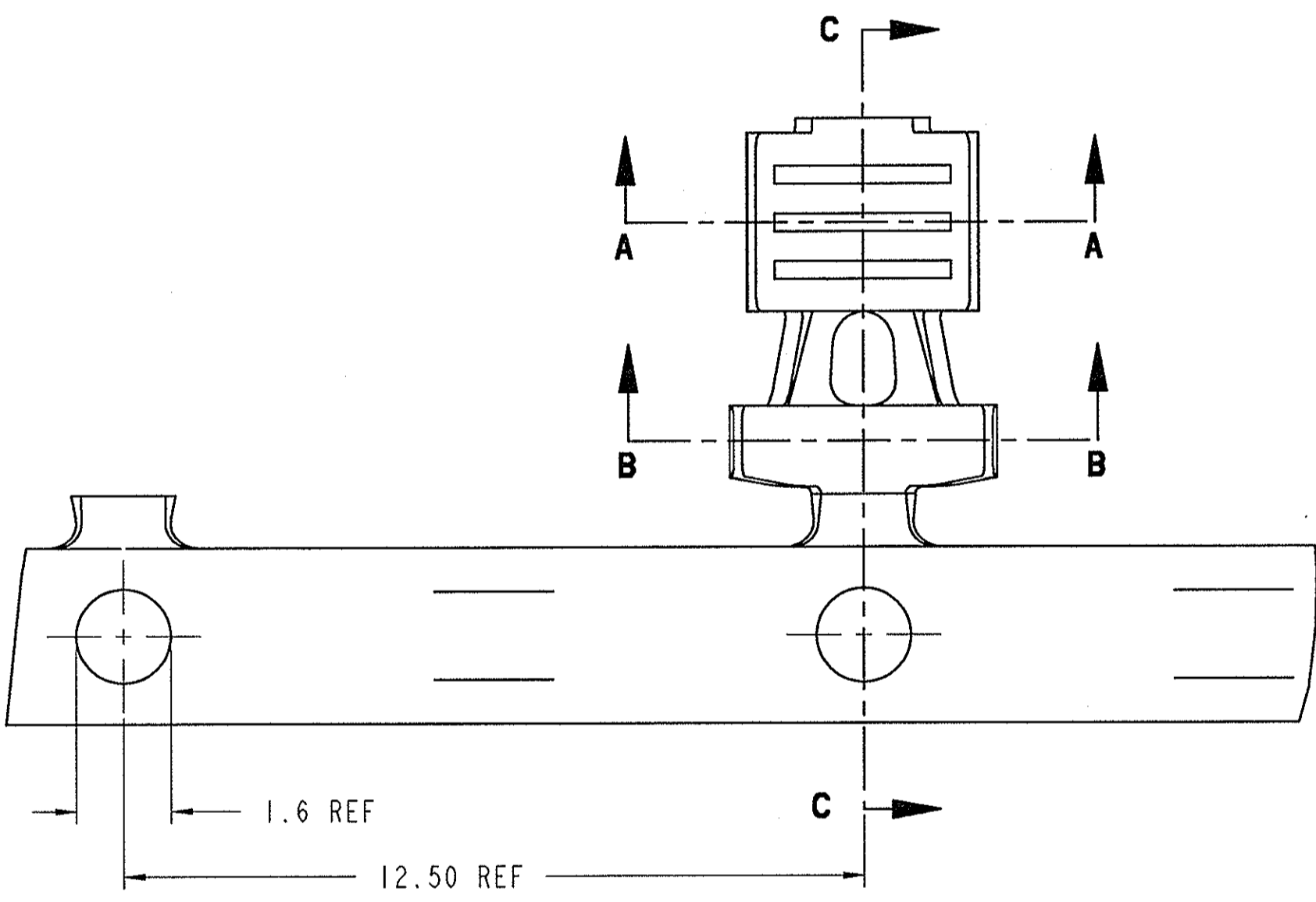
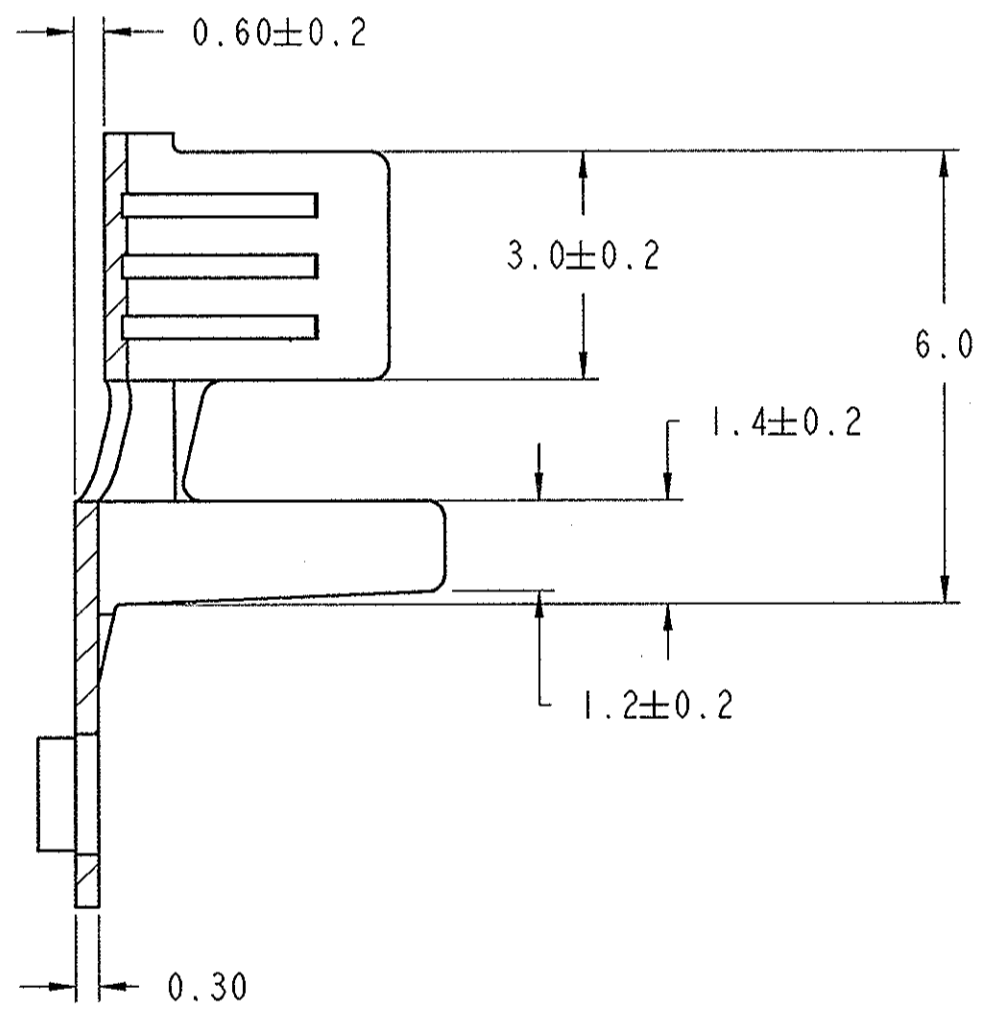
CRIMP TYPE	CRIMP AREA DIMENSION						CRIMP CODE	
	Bc	Dc	Hc	Bi	Di	Hi		
I	c	3.70 ±0.15	1.80 ±0.2	3.90 ±0.15	4.70 ±0.15	2.60 ±0.2	4.90 ±0.15	
	b	2.60 ±0.15	1.20 ±0.2	2.90 ±0.15	3.60 ±0.15	2.00 ±0.2	4.00 ±0.15	
	a	2.00 ±0.15	0.80 ±0.2	2.20 ±0.15	2.80 ±0.15	1.60 ±0.2	3.00 ±0.15	

FULL SIZE VIEWS
SCALE 1.000

FULL ASSY VIEW WATERPROOF
SCALE 2.000



SECTION C-C



- 1 SUPERSEDES 2-1437709-0
- 2 SUPERSEDES 2-1437709-1

PART AS SUPPLIED								COMPONENTS			MATERIALS			COMPONENTS SUPPLIED APART		TO FIT IN CAVITY	
P/N	PART REV.	DESCRIPTION	WATERPROOF	WIRE CROSS SEC. AREA	CRIMP CODE	CRIMP SPEC.	WEIGHT	TERMINAL	SLEEVE	WIRE SEAL	TERMINAL	SLEEVE	GREASE	WIRE SEAL	TYPE	DESCRIPTION	
0-1437709-9		TERMINAL FEMALE GOLD PLT.		0.22-0.35mm ²			0.402gr.	I	I	SEE CHART	DIN 17670 (CuSn6)	ALLOY 230 RICH LOW BRASS	INORGANIC GELLED SYNTHETIC HYDROCARBON OIL	1-1437713-1 (0.22-0.35)	AC/T/19/95	CAVITY TERMINAL FEMALE	
1-1437709-0	A	TERMINAL FEMALE GOLD PLT.	YES	0.50-1.00mm ²		AC/T/18/95	0.422gr.	I	I		1-1437713-2 (0.50-1.00)			RED			
1-1437709-7		TERMINAL FEMALE GOLD PLT.		1.50-2.50mm ²			0.443gr.	I	I		1-1437713-3 (1.50)			BLUE			
0-1437709-9		TERMINAL FEMALE GOLD PLT.		0.22-0.35mm ²			0.402gr.	I	I	NOT USED	(A)	TIN PLATED MATTE					
1-1437709-0	A	TERMINAL FEMALE GOLD PLT.	NO	0.50-1.00mm ²		AC/T/18/95	0.422gr.	I	I								
1-1437709-7		TERMINAL FEMALE GOLD PLT.		1.50-2.50mm ²			0.443gr.	I	I								

DIMENSIONS: 		TOLERANCES UNLESS OTHERWISE SPECIFIED: 0 PLC ± 1 PLC ±0.3 2 PLC ±0.1 3 PLC ± 4 PLC ± ANGLES ±1° FINISH:		OWN: M. PALMA CHK: R. MARTINI APVD: A. GENTA DATE: 20 JUN 2007 PRODUCT SPEC: 108-20260 APPLICATION SPEC: 114-20121 WEIGHT: - CUSTOMER DRAWING	tyco Electronics tyco Electronics AMP ITALIA S.p.A. Corso F.lli Cervi, 15 Collegno (TO)	NAME: A. GENTA SIZE: A1 CAGE CODE: 00779 DRAWING NO: C=1418069 SCALE: 10:1 SHEET: 2 of 2 REV: P
-----------------	--	--	--	--	---	---