



Chipsmall Limited consists of a professional team with an average of over 10 year of expertise in the distribution of electronic components. Based in Hongkong, we have already established firm and mutual-benefit business relationships with customers from,Europe,America and south Asia,supplying obsolete and hard-to-find components to meet their specific needs.

With the principle of "Quality Parts,Customers Priority,Honest Operation,and Considerate Service",our business mainly focus on the distribution of electronic components. Line cards we deal with include Microchip,ALPS,ROHM,Xilinx,Pulse,ON,Everlight and Freescale. Main products comprise IC,Modules,Potentiometer,IC Socket,Relay,Connector.Our parts cover such applications as commercial,industrial, and automotives areas.

We are looking forward to setting up business relationship with you and hope to provide you with the best service and solution. Let us make a better world for our industry!



Contact us

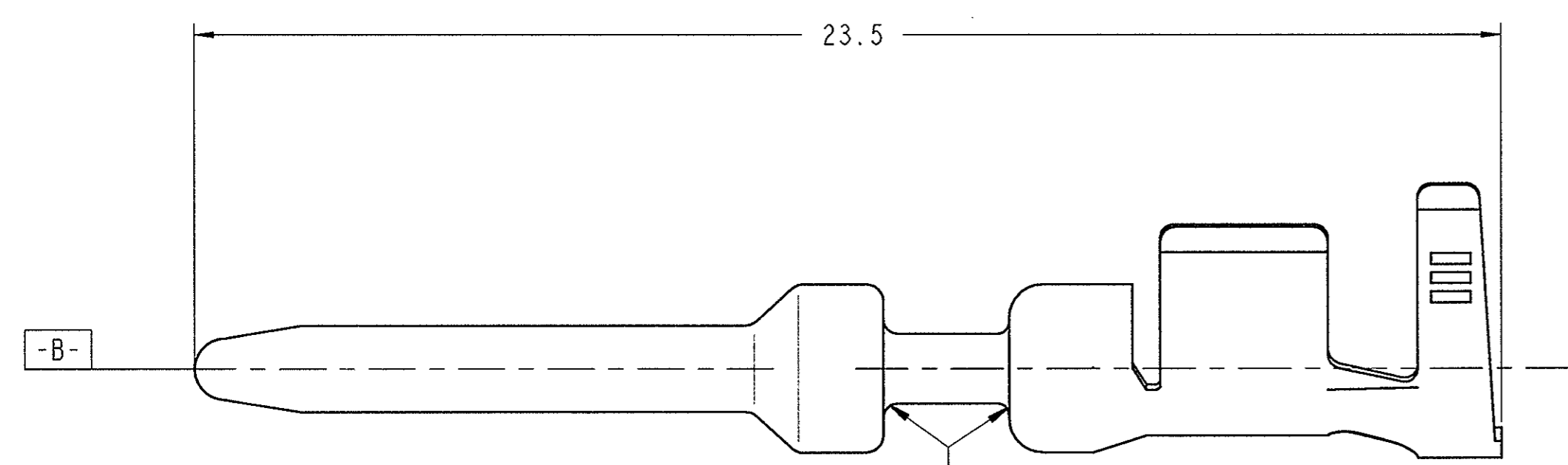
Tel: +86-755-8981 8866 Fax: +86-755-8427 6832

Email & Skype: info@chipsmall.com Web: www.chipsmall.com

Address: A1208, Overseas Decoration Building, #122 Zhenhua RD., Futian, Shenzhen, China



LOC	DIST	REVISIONS			
P	LYR	DESCRIPTION	DATE	DWN	APVD
A		EG00-2904-01	04OCT2001	SS	JE
A1		EG00-3314-01	08NOV2001	CLD	JE
A2		REVISED FOR ECR-06-018431	28SEPT2006	M. P.	R. M.



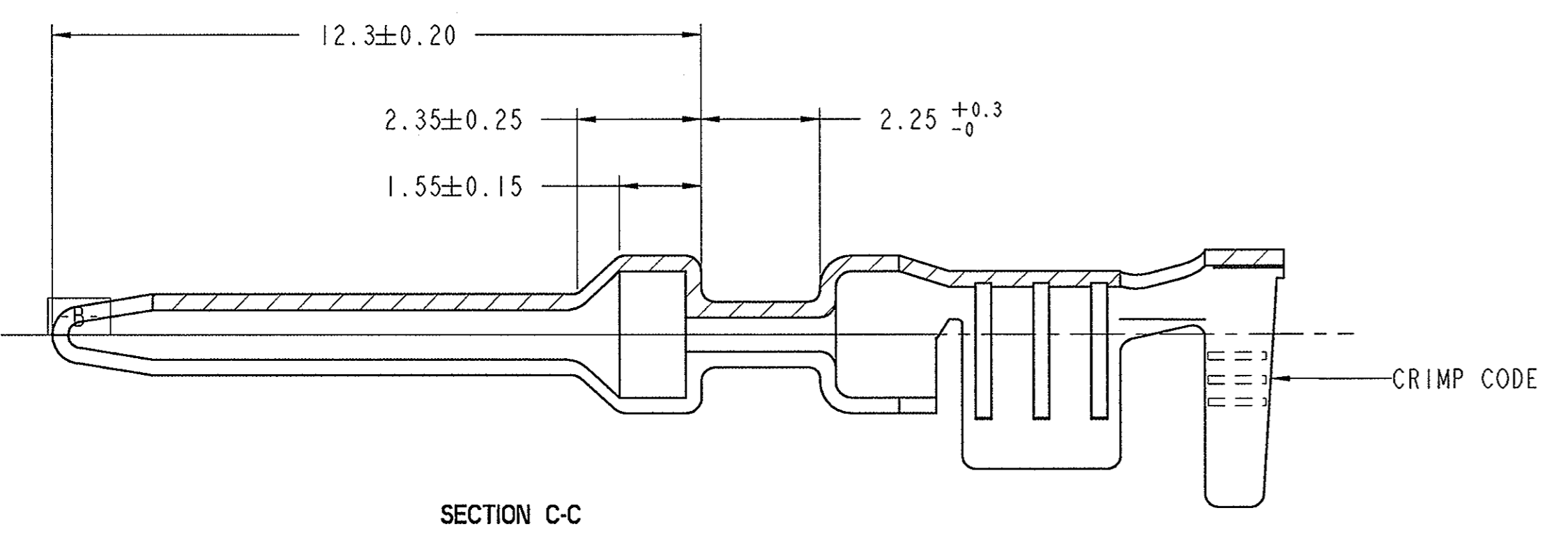
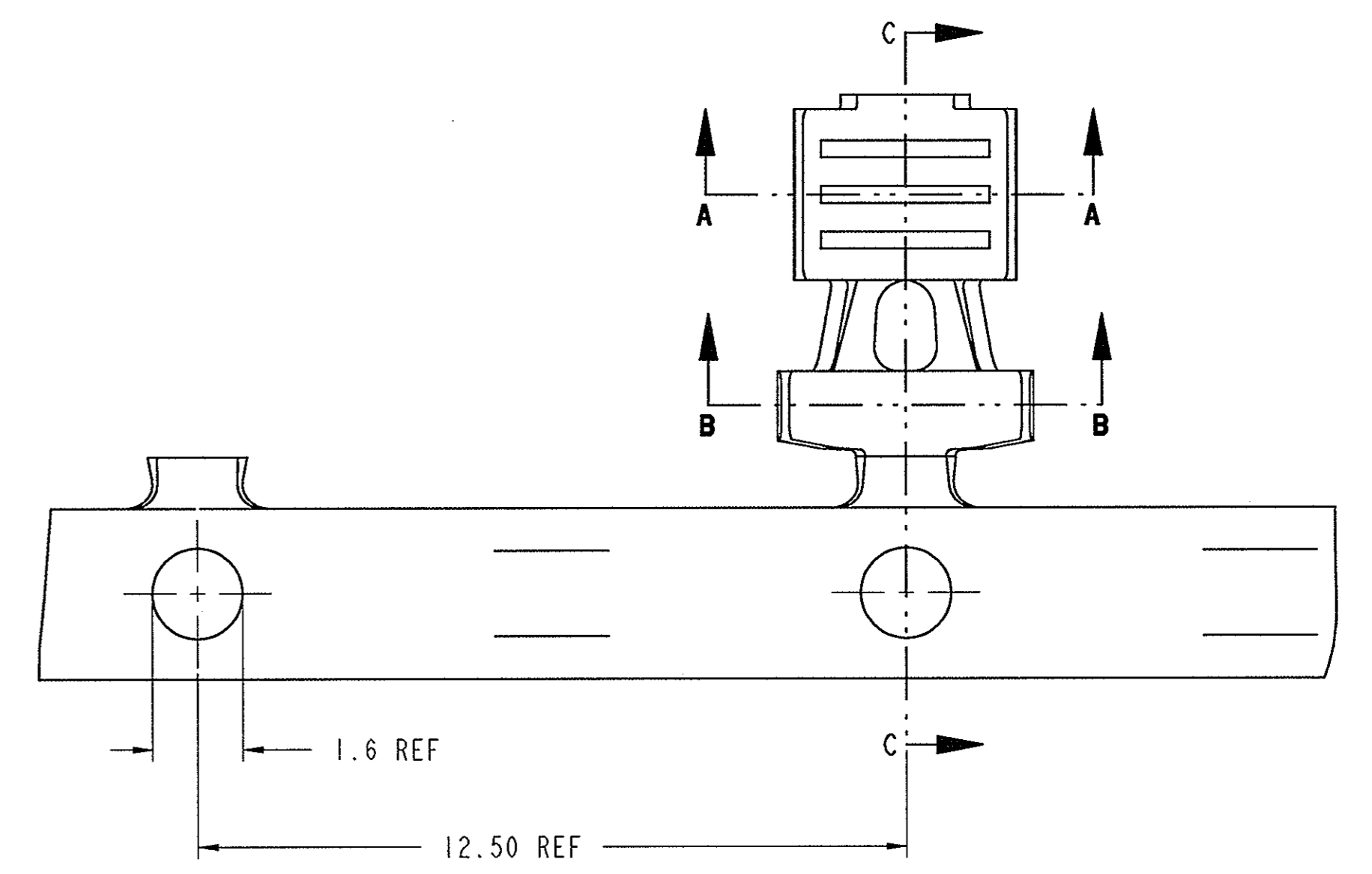
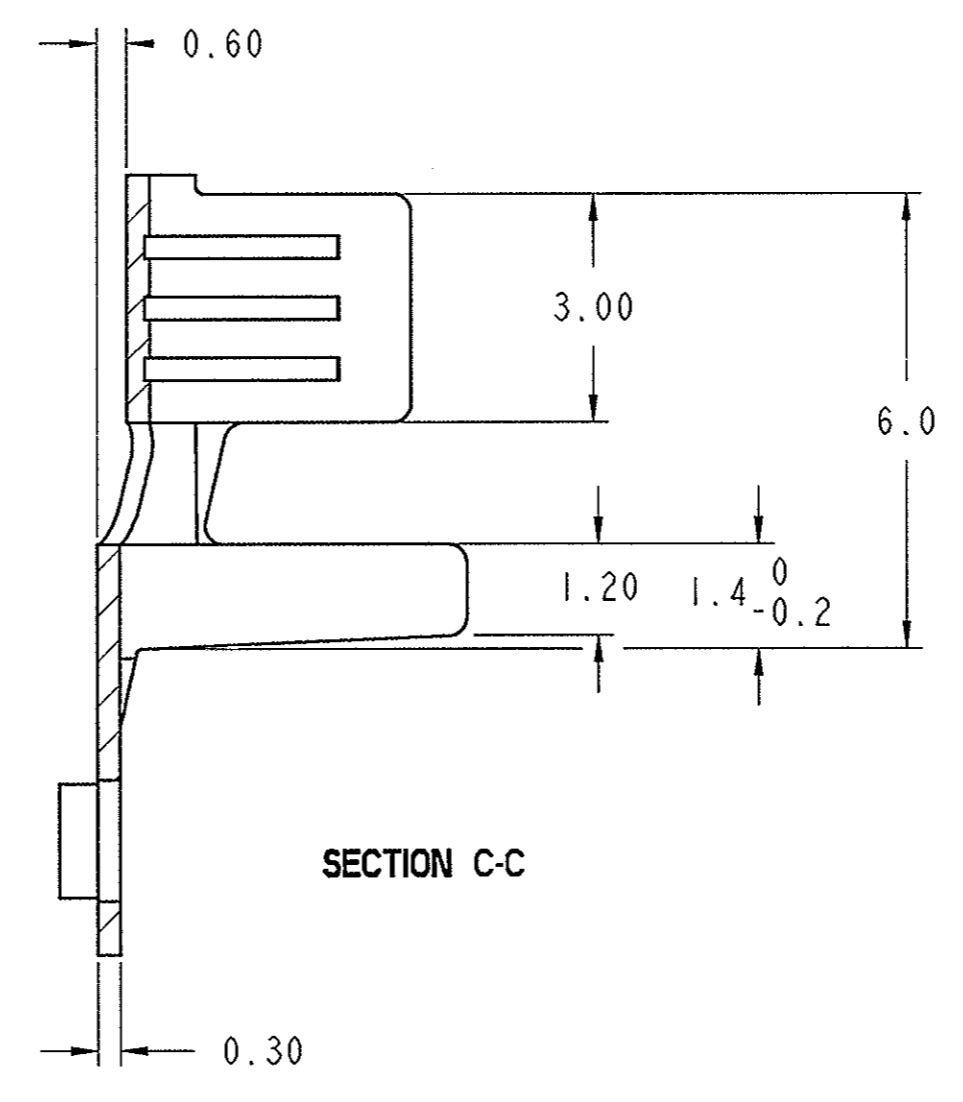
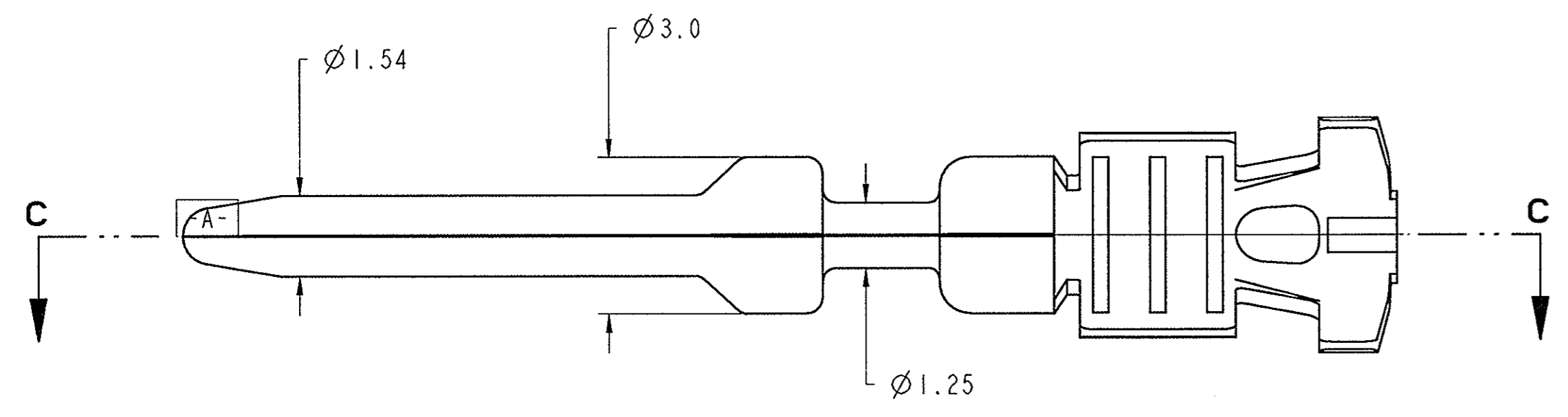
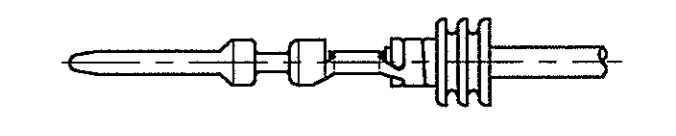
NECK DOWN AREA OF TERMINAL MUST NOT BREAK-OFF OR FRACTURE WHEN FRONT OF TERMINAL IS BENT IN ANY DIRECTION TO AN ANGLE OF 20° MIN. OFF THE CENTERLINE OF TERMINAL.

CRIMP TYPE	CRIMP AREA DIMENSION						CRIMP CODE
	B _c	D _c	H _c	B _i	D _i	H _i	
c	3.70 ±0.15	1.80 REF	3.90 ±0.15	4.70 ±0.15	2.60 REF	4.90 ±0.15	
b	2.60 ±0.15	1.20 REF	2.90 ±0.15	3.60 ±0.15	2.00 REF	4.00 ±0.15	
a	2.00 ±0.15	0.80 REF	2.20 ±0.15	2.80 ±0.15	1.60 REF	3.00 ±0.15	

FULL SIZE VIEWS
SCALE 1.000



FULL ASSY VIEW
WATERPROOF
SCALE 2.000

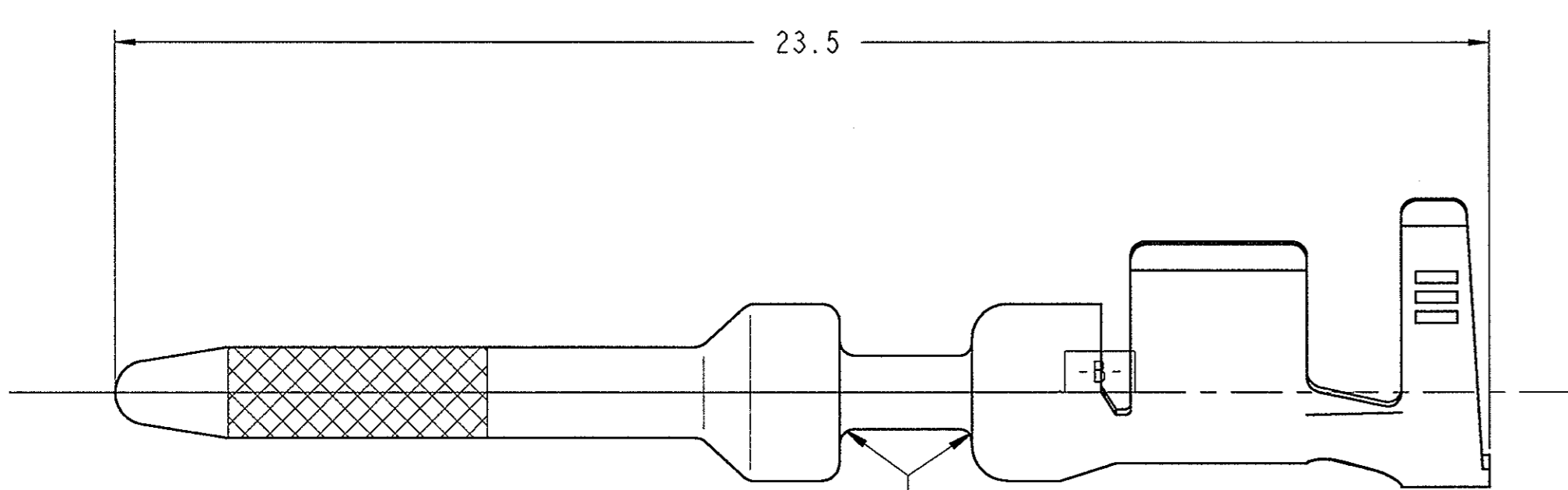


- 1 SUPERSEDES 2-1437709-2
- 2 SUPERSEDES 2-1437709-3
- 3 SUPERSEDES 2-1437709-4

PART AS SUPPLIED							COMPONENTS		MATERIALS	COMPONENTS SUPPLIED APART		TO FIT IN CAVITY	
P/N	DESCRIPTION	WATERPROOF	WIRE CROSS SEC. AREA	CRIMP CODE	CRIMP SPEC.	WEIGHT	TERMINAL	WIRE SEAL	TERMINAL	WIRE SEAL	TYPE	DESCRIPTION	
1-1437709-1	TERMINAL MALE TIN PLT.	YES	0.22-0.35mm ²		AC/T/18/95	0.302gr.	I	SEE SHEET	DIN 17670 (CuSn6) TIN PLATED BRIGHT	1-1437713-1 (0.22-0.35) BLACK	AC/T/20/95	CAVITY TERMINAL MALE	
1-1437709-2	TERMINAL MALE TIN PLT.		0.50-1.00mm ²			0.322gr.	I			1-1437713-2 (0.50-1.00) RED			
1-1437709-3	TERMINAL MALE TIN PLT.		1.50-2.50mm ²			0.343gr.	I			1-1437713-3 (1.50) BLUE			
1-1437709-1	TERMINAL MALE TIN PLT.	NO	0.22-0.35mm ²		AC/T/18/95	0.302gr.	I	NOT USED					
1-1437709-2	TERMINAL MALE TIN PLT.		0.50-1.00mm ²			0.322gr.	I						
1-1437709-3	TERMINAL MALE TIN PLT.		1.50-2.50mm ²			0.343gr.	I						

DIMENSIONS:		TOLERANCES UNLESS OTHERWISE SPECIFIED:		DWN: S. Storch 02OCT2001		tyco Electronics AMP GmbH	
mm		0 PLC ±0.3		CHK: J. Evans 08NOV2001		D - 64625 Bensheim	
		1 PLC ±0.1		APVD: J. Evans 08NOV2001		NAME: I,6 SYSTEM TERMINAL MALE TIN PLATED	
MATERIAL:		2 PLC ±		PRODUCT SPEC:		SIZE: CAGE CODE DRAWING NO. RESTRICTED TO	
		3 PLC ±		APPLICATION SPEC:		A1 00779 C-1418070	
		4 PLC ±		WEIGHT:		SCALE 10:1 SHEET 1 OF 2 REV A2	
		ANGLES FINISH		CUSTOMER DRAWING			

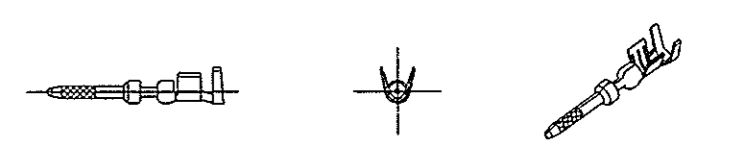
LOC	DIST	REV	DESCRIPTION	DATE	OWN	APVD
A1	-	-	- SEE SHEET 1 -	-	-	-



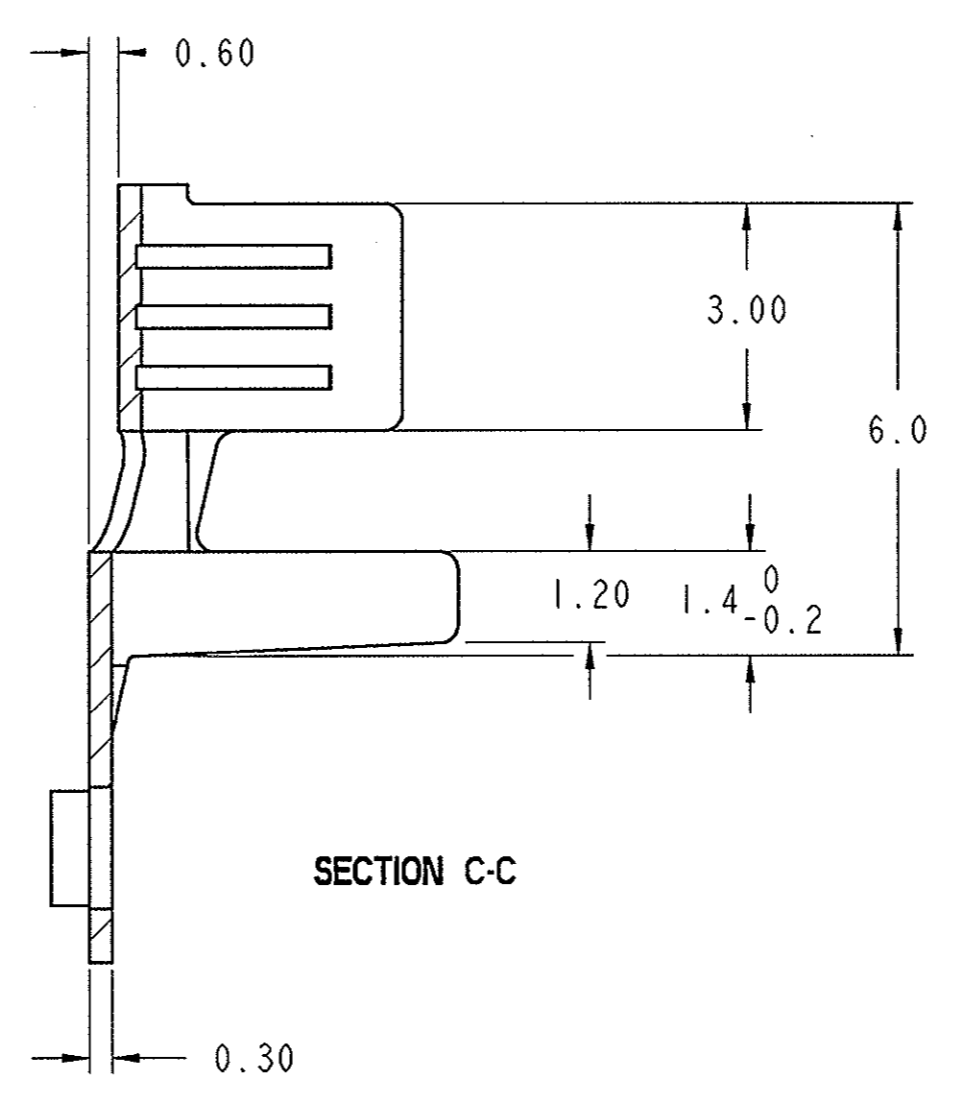
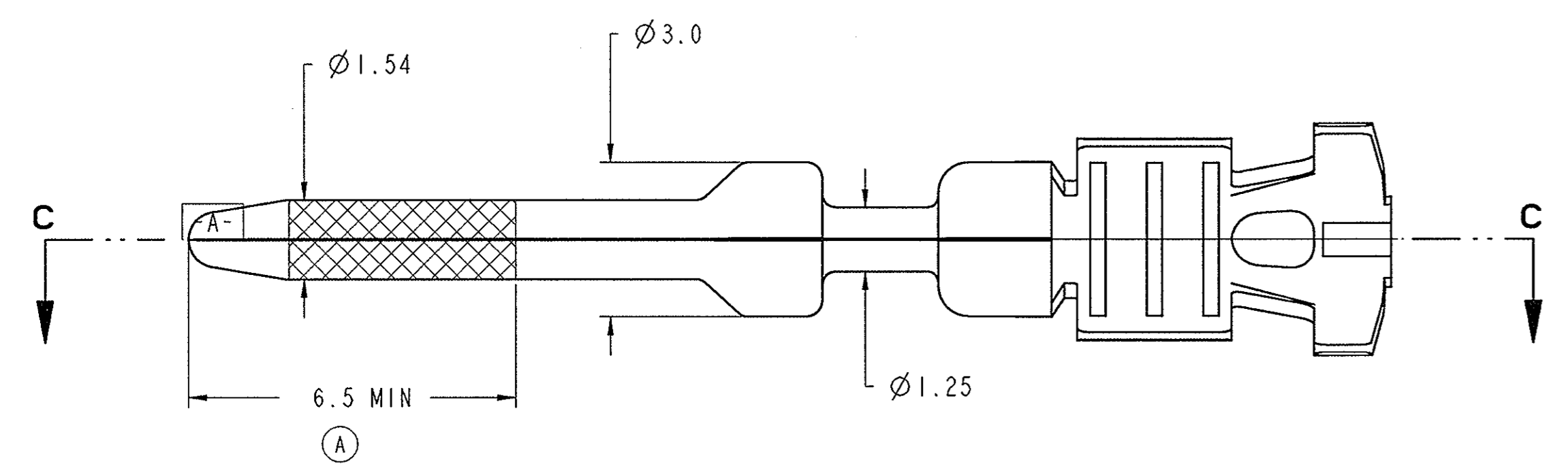
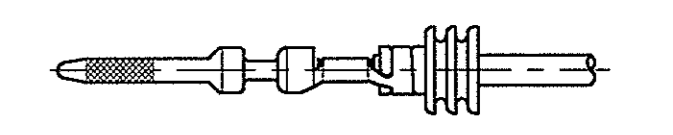
NECK DOWN AREA OF TERMINAL MUST NOT BREAK-OFF OR FRACTURE WHEN FRONT OF TERMINAL IS BENT IN ANY DIRECTION TO AN ANGLE OF 20° MIN. OFF THE CENTERLINE OF TERMINAL.

CRIMP TYPE	Bc	Dc	He	Bi	Di	Hi	CRIMP CODE
c	3.70 ±0.15	1.80 REF	3.90 ±0.15	4.70 ±0.15	2.60 REF	4.90 ±0.15	
b	2.60 ±0.15	1.20 REF	2.90 ±0.15	3.60 ±0.15	2.00 REF	4.00 ±0.15	
a	2.00 ±0.15	0.80 REF	2.20 ±0.15	2.80 ±0.15	1.60 REF	3.00 ±0.15	

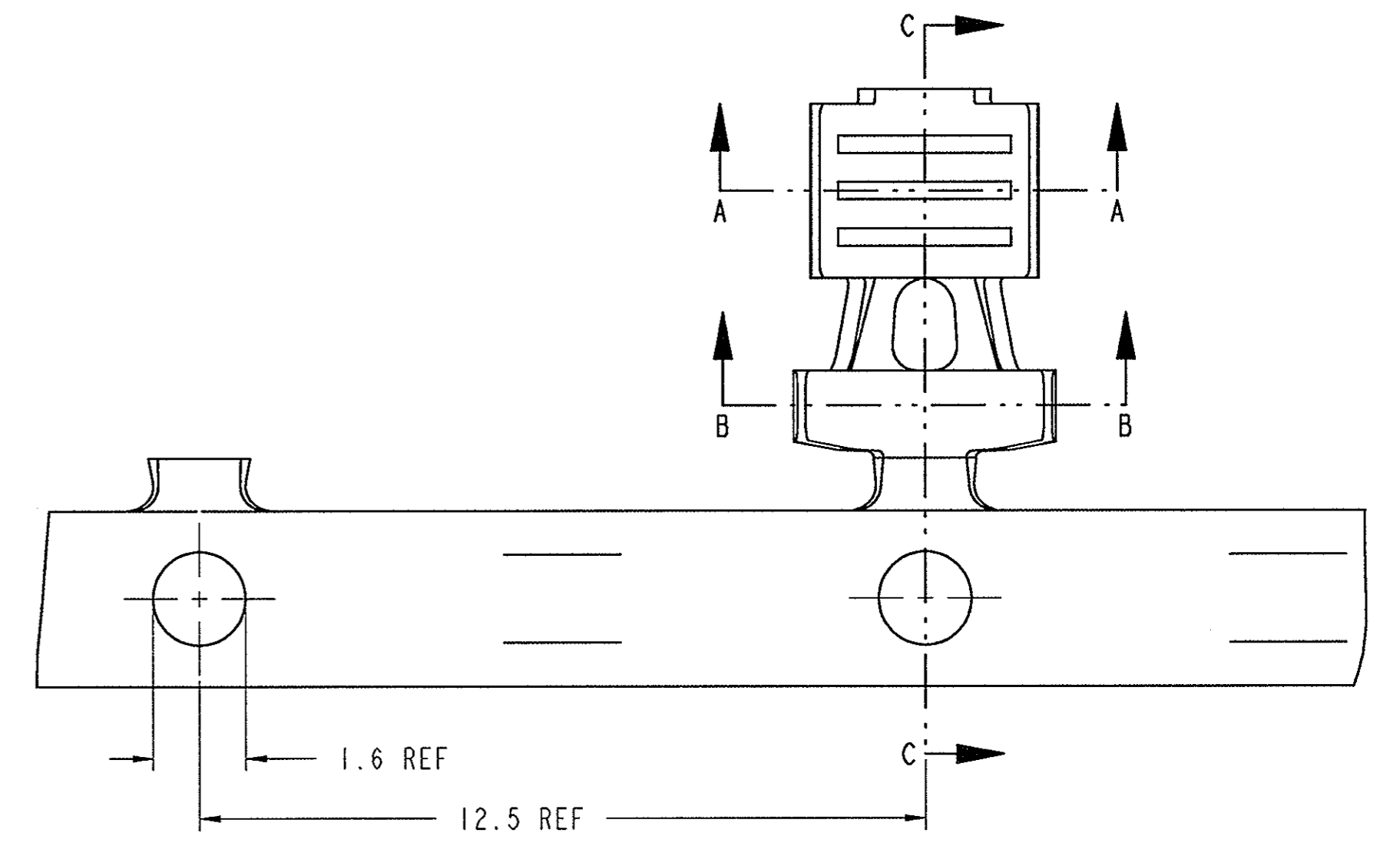
FULL SIZE VIEWS
SCALE 1.000



FULL ASSY VIEW
WATERPROOF
SCALE 2.000

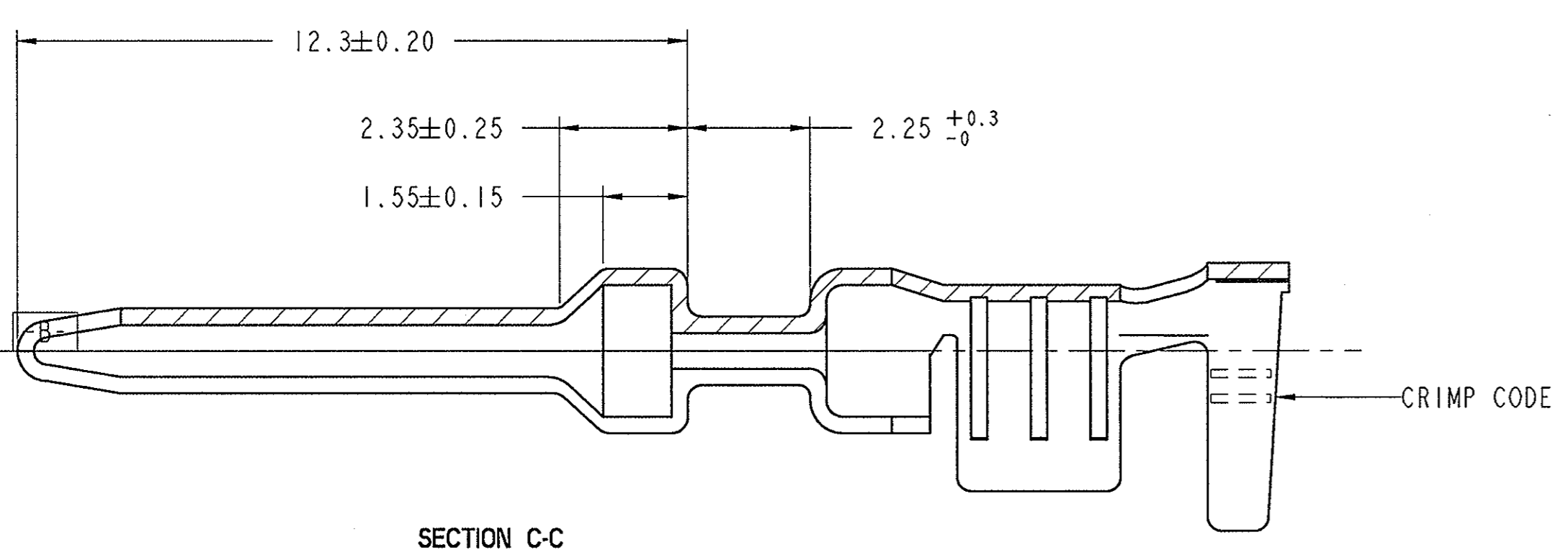


SECTION C-C



SECTION A-A

SECTION B-B



SECTION C-C

1 SUPSEDES I-1437709-8

PART AS SUPPLIED							COMPONENTS		MATERIALS	COMPONENTS SUPPLIED APART		TO FIT IN CAVITY	
P/N	DESCRIPTION	WATERPROOF	WIRE CROSS SEC. AREA	CRIMP CODE	CRIMP SPEC.	WEIGHT	TERMINAL	WIRE SEAL	TERMINAL	WIRE SEAL	TYPE	DESCRIPTION	
0-1437709-6	TERMINAL MALE GOLD PLT.	YES	0.22-0.35mm ²		AC/T/18/95	0.302gr.	I	SEE SHEET	DIN 17670 (CuSn6) GOLD PLATED AT LOCATION	1-1437713-1 (0.22-0.35) BLACK	AC/T/20/95	CAVITY TERMINAL MALE	
0-1437709-7	TERMINAL MALE GOLD PLT.		0.50-1.00mm ²			0.322gr.	I			1-1437713-2 (0.50-1.00) RED			
0-1437709-6	TERMINAL MALE GOLD PLT.	NO	0.22-0.35mm ²		AC/T/18/95	0.302gr.	I	NOT USED	TIN PLATED MATTE	1-1437713-3 (1.50) BLUE			
0-1437709-7	TERMINAL MALE GOLD PLT.		0.50-1.00mm ²			0.322gr.	I						

TYCO ELECTRONICS CORPORATION
 16 SYSTEM TERMINAL MALE GOLD PLATED

APVD: S. Storch, J. Evans
 DATE: 08NOV2001

TYCO ELECTRONICS
 tyco Electronics AMP GmbH
 D - 64625 Bensheim

SIZE: A1
 CAGE CODE: 00779
 DRAWING NO: 1418070

SCALE: 10:1
 SHEET: 2 OF 2
 REV: A2