



Chipsmall Limited consists of a professional team with an average of over 10 year of expertise in the distribution of electronic components. Based in Hongkong, we have already established firm and mutual-benefit business relationships with customers from,Europe,America and south Asia,supplying obsolete and hard-to-find components to meet their specific needs.

With the principle of “Quality Parts,Customers Priority,Honest Operation,and Considerate Service”,our business mainly focus on the distribution of electronic components. Line cards we deal with include Microchip,ALPS,ROHM,Xilinx,Pulse,ON,Everlight and Freescale. Main products comprise IC,Modules,Potentiometer,IC Socket,Relay,Connector.Our parts cover such applications as commercial,industrial, and automotives areas.

We are looking forward to setting up business relationship with you and hope to provide you with the best service and solution. Let us make a better world for our industry!



Contact us

Tel: +86-755-8981 8866 Fax: +86-755-8427 6832

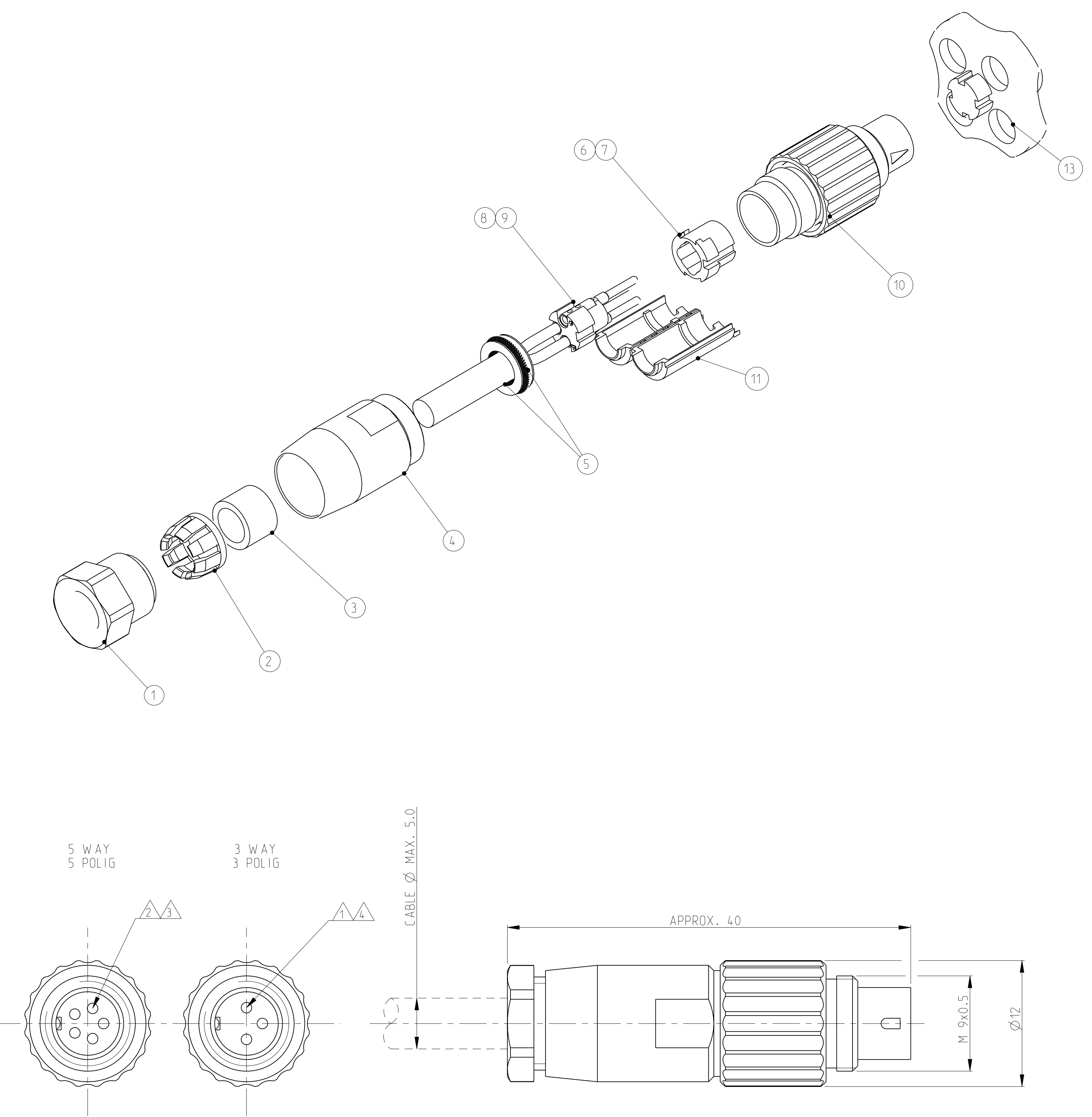
Email & Skype: info@chipsmall.com Web: www.chipsmall.com

Address: A1208, Overseas Decoration Building, #122 Zhenhua RD., Futian, Shenzhen, China



LOC	DIST	REV	DATE	BY	APPV
A1	-	A4	13OCT2011	KH	MS

MATERIAL / MATERIAL: PBT, UL-94 V2 SHELL MATERIAL / GEHAEUSEMATERIAL: BRASS/MESSING FINISH / BESCHICHTUNG: TRIBOR 4 µm	5
WIRE GAGE / DRAHTGROESSE IN mm ² : 0.5	4
WIRE GAGE / DRAHTGROESSE IN mm ² : 0.14 OR 0.25 OR 0.34	3
CRIMP CONTACT / CRIMP KONTAKT: SEE PN 5-1437720-5	2
CRIMP CONTACT / CRIMP KONTAKT: SEE PN 5-1437720-4	1
SHELL PROTECTION CLASS / SCHUTZKLASSE: IP 65 / DIN 40050	
TEST VOLTAGE / PRUEFSPANNUNG: 500 VAC	
OPERATING VOLTAGE / BETRIEBSSPANNUNG: 60 VAC	
OPERATING TEMPERATURE: -40°C TO +80°C / ARBEITSTEMPERATUR: -40°C BIS +80°C	
MATING CYCLES / STECKZYKLEN: 500 MAX.	
TECHNICAL DATA TECHNISCHE DATEN	



TE CONNECTIVITY-NO./ TE CONNECTIVITY-NR.	QTY REQD PER ASSY	DESCRIPTION / BESCHREIBUNG	ITEM-NO. TEIL-NR.
1-1437719-2	1	MOUNTING WRENCH / MONTAGESCHLUESSEL	13
1-1437719-1	1	MOUNTING INSTRUCTION / MONTAGEANLEITUNG	12
	1	INSULATION TUBE / ISOLIERHUELSE	11
	1	SCREWING TUBE / SCHRAUBHUELSE	10
	1	CONTACT HOLDER 5 WAY / STIFTHALTER 5 POLIG	9
	1	CONTACT HOLDER 3 WAY / STIFTHALTER 3 POLIG	8
	1	CONTACT CARRIER 5 WAY / STIFTTRAEGER 5 POLIG	7
	1	CONTACT CARRIER 3 WAY / STIFTTRAEGER 3 POLIG	6
	2	GROUNDING PLATE FOR 360° SHIELDING CONNECTION/ MASSESCHIEBE FUER 360° ABSCHIRMUNG	5
	1	HOUSING / GEHAEUSE	4
	1	CABLE SEALING / KABELDICHTUNG	3
	1	STRAIN RELIEF / ZUGENTLASTUNGSKRONE	2
	1	STRAIN RELIEF NUT / ZUGENTLASTUNGSMUTTER	1
	-	REVISION OF EACH ASSY NO. (WHEN BLANK, USE DWG REV.)	
T01-0540-P05		DESCRIPTION / BESCHREIBUNG	ITEM-NO. TEIL-NR.
T01-0540-P03		PARTS LIST / TEILE LISTE	
CATALOG-NO.			

1 CONTACTS OF TYPE TE CONNECTIVITY-PN: 5-1437720-4/T01-0540-P03 MUST BE ORDERED SEPARATELY
KONTAKTE DES TYPUS TE CONNECTIVITY-PN: 5-1437720-4/T01-0540-P03 MUESSEN SEPARAT BESTELLT WERDEN

2 CONTACTS OF TYPE TE CONNECTIVITY-PN: 5-1437720-5/T01-0540-P05 MUST BE ORDERED SEPARATELY
KONTAKTE DES TYPUS TE CONNECTIVITY-PN: 5-1437720-5/T01-0540-P05 MUESSEN SEPARAT BESTELLT WERDEN

6	1-1437719-2	100 PLUG CONNECTORS / STECKVERBINDER COMPONENT PARTS PACKAGED PER 100	THIS DRAWING IS A CONTROLLED DOCUMENT. DIESER ZEICHNUNGSDOKUMENT WIRD DURCH AUF INGENIEURKONTROLLE. ANSONSTENEN, DIE SICH BEI VERANDERUNGEN BEZUGEN, SIND UNKONTROLLIERT. DIMENSIONS: MASSENMEN: mm TOLERANCES: UNLESS OTHERWISE SPECIFIED: ALLGEMEINTOLERANZEN 0 PLC ±0.3 1 PLC ±0.2 2 PLC ±0.2 3 PLC ±0.2 4 PLC ±0.2 MATERIAL: - 5 FINISH/VERARBEITUNG/FARBE: - 5	DWN: H. GELSTER 18 JUN 2001 CBY: H. SCHUBERT 18 JUN 2001 APPV: G. FELDMEIER 18 JUN 2001 PRODUCT SPEC: - APPLICATION SPEC: - VERARBEITUNGSSPEZ: - WEIGHT: - CUSTOMER DRAWING	STE TE Connectivity NAME: T01 MALE PLUG CONNECTOR CRIMP-VERS. 3-5 POS. T01 STIFTSTECKER CRIMPVERSION 3 - 5 POL. SIZE: A1 CAGE CODE: 00779 DRAWING NO: 1-1437719-1 RESTRICTED TO: - SHEET 1 OF 1 REV: A4
7	1-1437719-1	100 PLUG CONNECTOR / STECKVERBINDER COMPONENT PARTS PACKAGED PER 100		ORDER QUANTITY / BESTELLMENGE	