



Chipsmall Limited consists of a professional team with an average of over 10 year of expertise in the distribution of electronic components. Based in Hongkong, we have already established firm and mutual-benefit business relationships with customers from,Europe,America and south Asia,supplying obsolete and hard-to-find components to meet their specific needs.

With the principle of “Quality Parts,Customers Priority,Honest Operation,and Considerate Service”,our business mainly focus on the distribution of electronic components. Line cards we deal with include Microchip,ALPS,ROHM,Xilinx,Pulse,ON,Everlight and Freescale. Main products comprise IC,Modules,Potentiometer,IC Socket,Relay,Connector.Our parts cover such applications as commercial,industrial, and automotives areas.

We are looking forward to setting up business relationship with you and hope to provide you with the best service and solution. Let us make a better world for our industry!



## Contact us

Tel: +86-755-8981 8866 Fax: +86-755-8427 6832

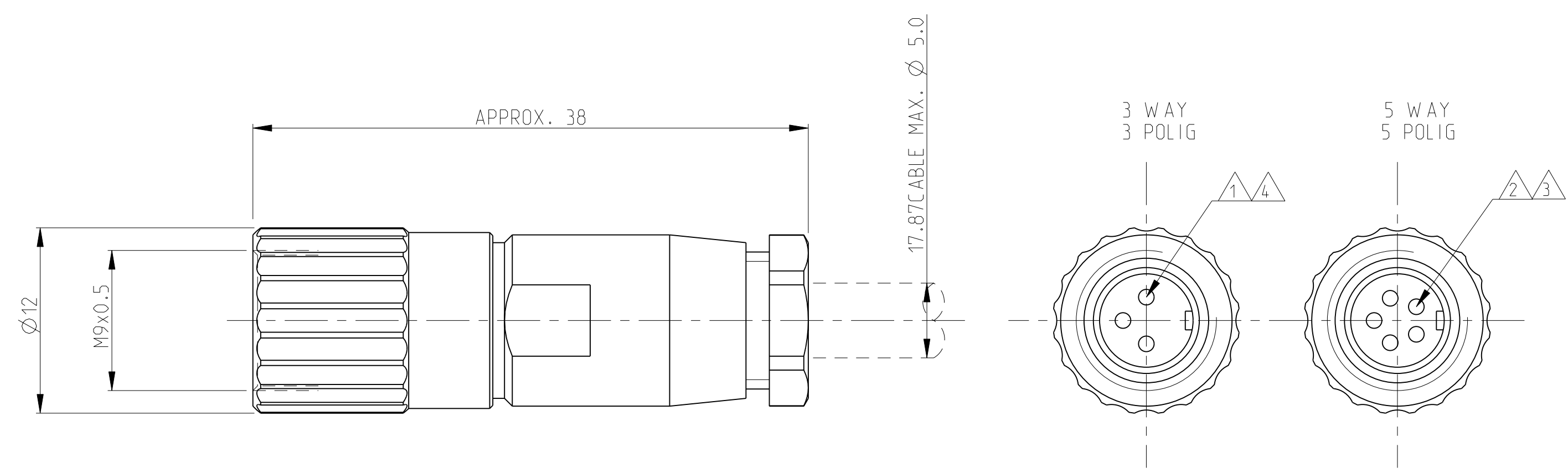
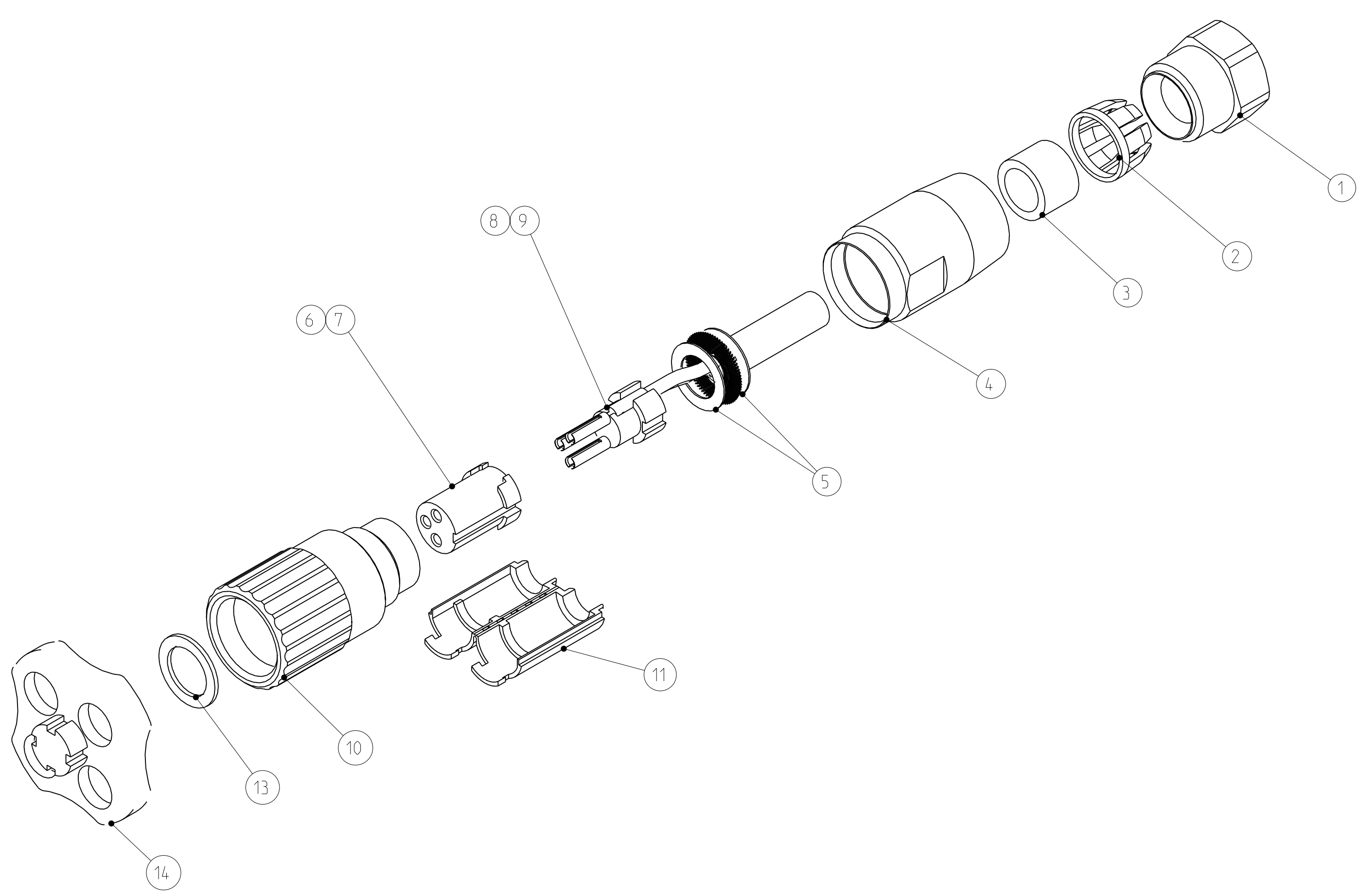
Email & Skype: info@chipsmall.com Web: www.chipsmall.com

Address: A1208, Overseas Decoration Building, #122 Zhenhua RD., Futian, Shenzhen, China



LOC	DIST	REV	DATE	BY	APPV
A1	-	A3	13OCT2011	KH	MS

MATERIAL / MATERIAL: PBT, UL-94 V2	△5
SHELL MATERIAL / GEHAEUSEMATERIAL: BRASS/MESSING	
FINISH / BESCHICHTUNG: TRIBOR 4 µm	
WIRE GAGE / DRAHTGROESSE IN mm <sup>2</sup> : 0.5	△4
WIRE GAGE / DRAHTGROESSE IN mm <sup>2</sup> : 0.14 OR 0.25 OR 0.34	△3
CRIMP CONTACT / CRIMP KONTAKT: SEE PN 5-1437720-7	△2
CRIMP CONTACT / CRIMP KONTAKT: SEE PN 5-1437720-6	△1
SHELL PROTECTION CLASS / SCHUTZKLASSE: IP 65 / DIN 40050	
TEST VOLTAGE / PRUEFSPANNUNG: 500 VAC	
OPERATING VOLTAGE / BETRIEBSSPANNUNG: 60 VAC	
OPERATING TEMPERATURE: -40°C TO +80°C / ARBEITSTEMPERATUR: -40°C BIS +80°C	
MATING CYCLES / STECKZYKLEN: 500 MAX.	
TECHNICAL DATA TECHNISCHE DATEN	



△ CONTACTS OF TYPE TE CONNECTIVITY-PN: 5-1437720-6/T01-0540-S03 MUST BE ORDERED SEPARATELY  
KONTAKTE DES TYPUS TE CONNECTIVITY-PN: 5-1437720-6/T01-0540-S03 MUESSEN SEPARAT BESTELLT WERDEN

△ CONTACTS OF TYPE TE CONNECTIVITY-PN: 5-1437720-7/T01-0540-S05 MUST BE ORDERED SEPARATELY  
KONTAKTE DES TYPUS TE CONNECTIVITY-PN: 5-1437720-7/T01-0540-S05 MUESSEN SEPARAT BESTELLT WERDEN

TE CONNECTIVITY-NO./ TE CONNECTIVITY NR.	QTY REQD PER ASSY	DESCRIPTION / BESCHREIBUNG	ITEM-NO. TEIL-NR.
1-1437719-4 △6	1	MOUNTING WRENCH / MONTAGESCHLUESSEL	14
1-1437719-3 △7	1	SEALING PAD / GUMMIDICHTUNG	13
	1	MOUNTING INSTRUCTION / MONTAGEANLEITUNG	12
	1	INSULATION TUBE / ISOLIERHUELSE	11
	1	SCREWING TUBE / SCHRAUBHUELSE	10
	1	CONTACT HOLDER 5 WAY / STIFTHALTER 5 POLIG	9
	1	CONTACT HOLDER 3 WAY / STIFTHALTER 3 POLIG	8
	1	CONTACT CARRIER 5 WAY / STIFTTRAEGER 5 POLIG	7
	1	CONTACT CARRIER 3 WAY / STIFTTRAEGER 3 POLIG	6
	2	GROUNDING PLATE FOR 360°SHIELDING CONNECTION/ MASSESCHEIBE FUER 360°ABSCHIRMUNG	5
	1	HOUSING / GEHAEUSE	4
	1	CABLE SEALING / KABELDICHTUNG	3
	1	STRAIN RELIEF / ZUGENTLASTUNGSKRONE	2
	1	STRAIN RELIEF NUT / ZUGENTLASTUNGSMUTTER	1
	-	REVISION OF EACH ASSY NO. (WHEN BLANK, USE DWG REV.)	
		DESCRIPTION / BESCHREIBUNG	ITEM-NO. TEIL-NR.
		PARTS LIST / TEILE LISTE	

△6	1-1437719-4	100 PLUG CONNECTORS / STECKVERBINDER COMPONENT PARTS PACKAGED PER 100	THIS DRAWING IS A CONTROLLED DOCUMENT. DIESER ZEICHNUNGSDOKUMENT WIRD DURCH AUF KONTROLLIERTE KONTAKTE. ANDERENWEISE, FÜR DIE TECHNISCHE BESCHREIBUNG UND VERBODEN. DIESE ZEICHNUNGSDOKUMENT WIRD DURCH AUF KONTROLLIERTE KONTAKTE. ANDERENWEISE, FÜR DIE TECHNISCHE BESCHREIBUNG UND VERBODEN.	DWN: H. GEISLER 18 JUN 2001 CHK: H. SCHNEIDER 18 JUN 2001 APPV: G. FELDMEIER 18 JUN 2001	 TE Connectivity NAME: T01 FEMALE PLUG CONNECTOR CRIMPV. 3-5 POS. T01 BUCHSENSTECKER CRIMPV. 3-5 POLIG
△7	1-1437719-3	100 PLUG CONNECTOR / STECKVERBINDER COMPONENT PARTS PACKAGED PER 100	DIMENSIONS: MASSENMEN: (mm)	0 PLC ±0.3 1 PLC ±0.3 2 PLC ±0.3 3 PLC ±0.3 4 PLC ±0.3 5 PLC ±0.3 6 PLC ±0.3 7 PLC ±0.3 8 PLC ±0.3 9 PLC ±0.3 10 PLC ±0.3 11 PLC ±0.3 12 PLC ±0.3 13 PLC ±0.3 14 PLC ±0.3	
TE CONNECTIVITY-NO./ TE CONNECTIVITY-NR.		ORDER QUANTITY / BESTELLMENGE	MATERIAL: - △5	WEIGHT / GEWICHT: - △5	SIZE: A1 CAGE CODE: 00779 DRAWING NO: 1-1437719-3 SCALE: - SHEET: 1 OF 1 REV: A3