



Chipsmall Limited consists of a professional team with an average of over 10 year of expertise in the distribution of electronic components. Based in Hongkong, we have already established firm and mutual-benefit business relationships with customers from,Europe,America and south Asia,supplying obsolete and hard-to-find components to meet their specific needs.

With the principle of "Quality Parts,Customers Priority,Honest Operation,and Considerate Service",our business mainly focus on the distribution of electronic components. Line cards we deal with include Microchip,ALPS,ROHM,Xilinx,Pulse,ON,Everlight and Freescale. Main products comprise IC,Modules,Potentiometer,IC Socket,Relay,Connector.Our parts cover such applications as commercial,industrial, and automotives areas.

We are looking forward to setting up business relationship with you and hope to provide you with the best service and solution. Let us make a better world for our industry!



Contact us

Tel: +86-755-8981 8866 Fax: +86-755-8427 6832

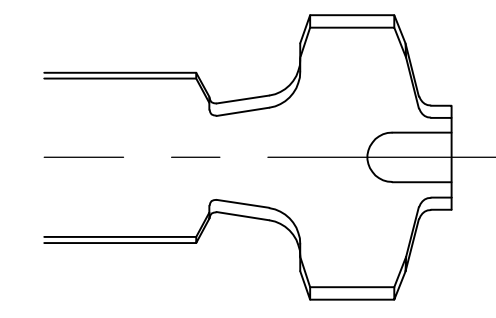
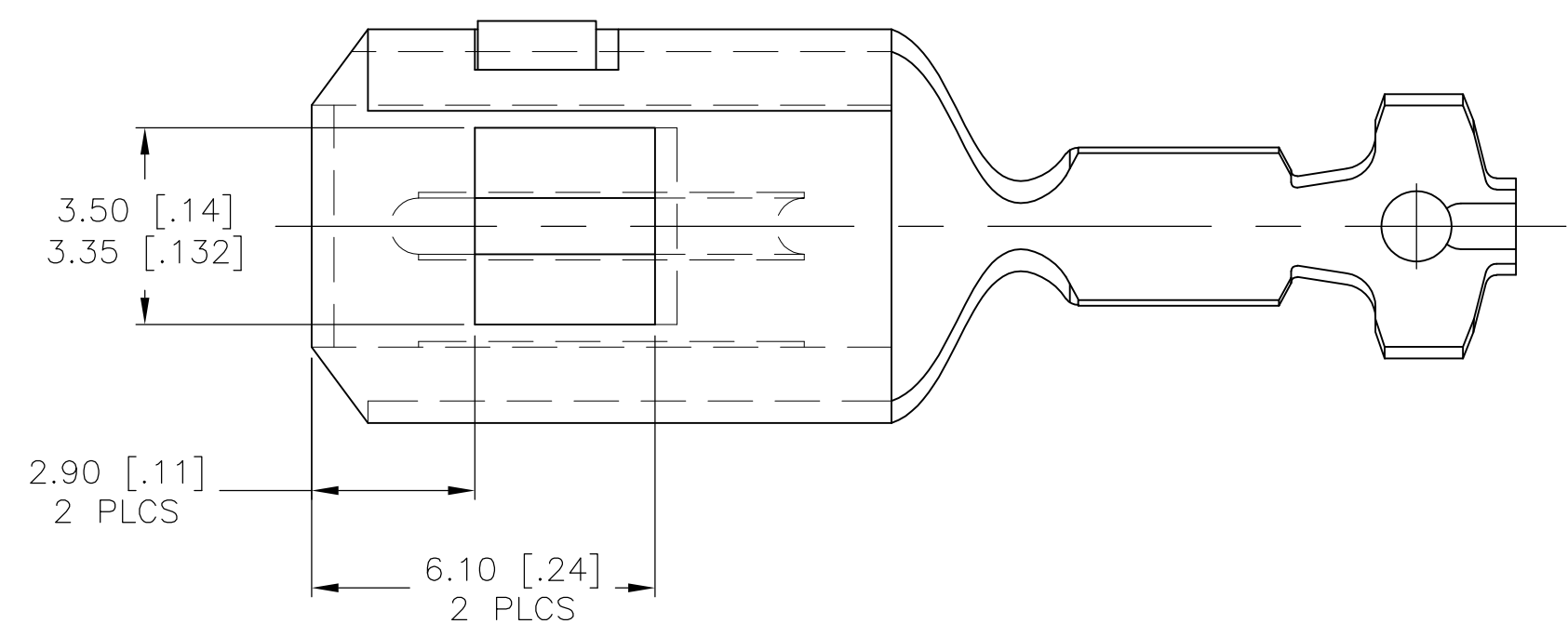
Email & Skype: info@chipsmall.com Web: www.chipsmall.com

Address: A1208, Overseas Decoration Building, #122 Zhenhua RD., Futian, Shenzhen, China

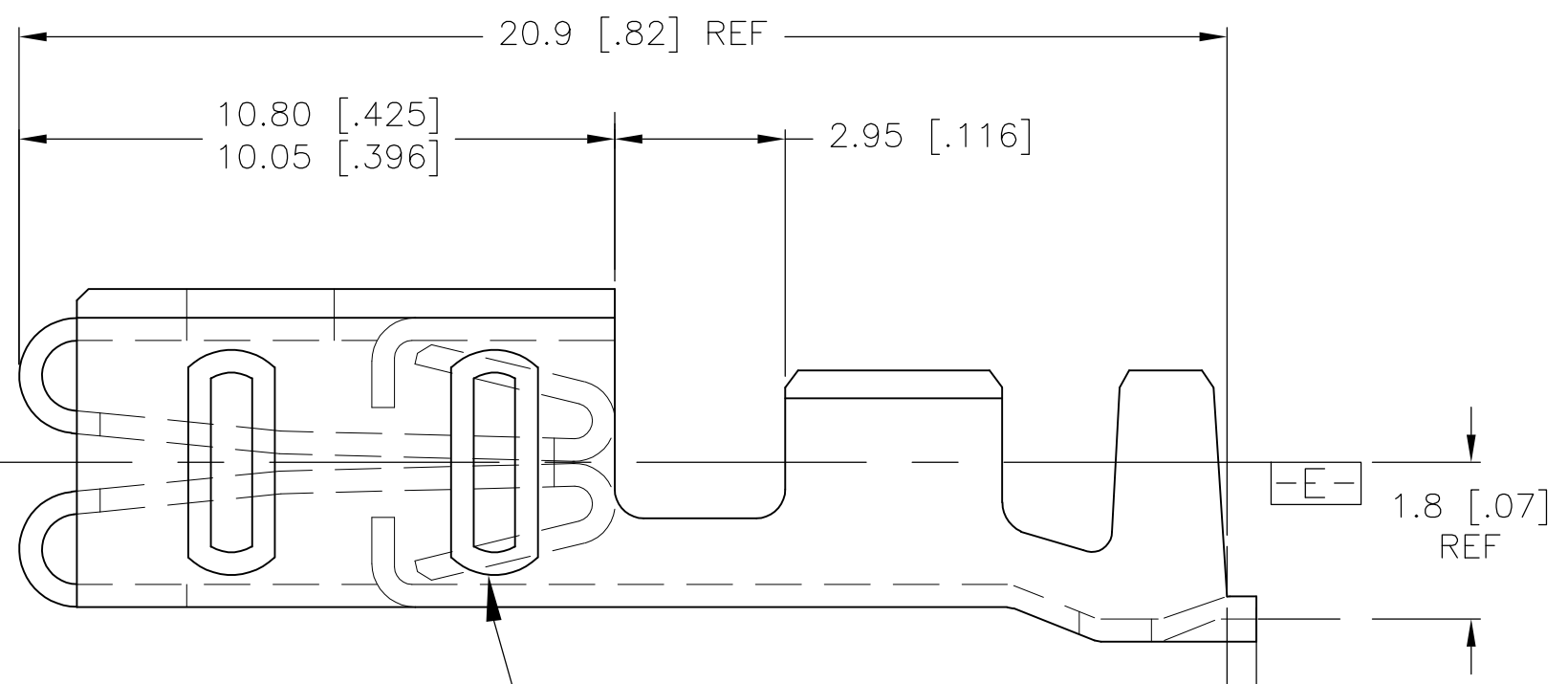


THIS DRAWING IS UNPUBLISHED. RELEASED FOR PUBLICATION
 © COPYRIGHT BY TYCO ELECTRONICS CORPORATION. ALL INTERNATIONAL RIGHTS RESERVED.

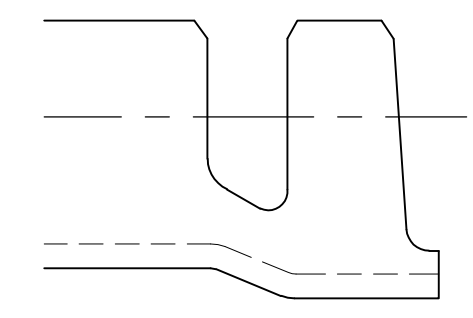
LOC	DIST	REVISIONS					
FX	00	P	LTR	DESCRIPTION	DATE	DWN	APVD
		A		REVISED PER ECO-10-025344	22DEC2010	DLD	WTW



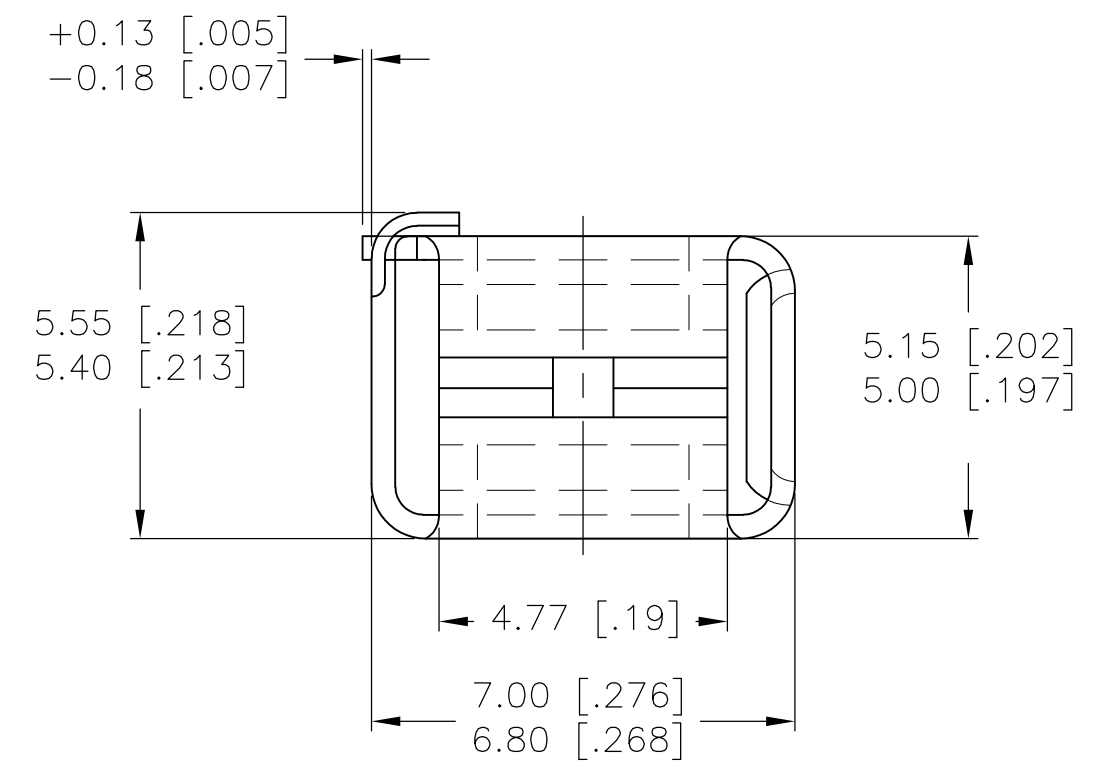
-13 ONLY



OPTIONAL CONSTRUCTION
 2 STRENGTHENING RIBS
 TO ASSIST IN FORMING



-13 ONLY



MATERIAL:

- A. N/A
- B. N/A
- C. UNS-C26000 BRASS
- D. BERYLLIUM COPPER ALLOY UNS-C17410.
- E. UNS-C19400 COPPER

FINISH: HOT TIN DIP PRE TIN STRIP

22	HEAVY	-	E0VB-14474-DA	1-1438243-3	C
14	LIGHT	-	E8EB-14474 UA	1-1438243-1	E
14	HEAVY	-	F10B-14474 AA	1438243-5	D
10	HEAVY	-	F10B-14474 BA	1438243-4	D
18	LIGHT	1-1438243-0	E7EB 14474 DA	1438243-3	E
14	HEAVY	1438243-9	E8EB 14474 VA	1438243-2	C
18	HEAVY	1-1438248-2	E7EB 14474 EA	1438243-1	C
WIRE GAGE	DUTY	TE P/N REWOUND	FORD P/N	TE P/N	MAT'L

THIS DRAWING IS A CONTROLLED DOCUMENT.		DWN JR BUSSARD 03 JUNE 2003	Tyco Electronics Corporation Harrisburg, PA 17105-3608	
DIMENSIONS: mm		CHK DM REVAK 03 JUNE 2003	NAME WIRE SNAP-ON TERMINAL - FEMALE	
TOLERANCES UNLESS OTHERWISE SPECIFIED: 0 PLC ± - 1 PLC ± 0.2 2 PLC ± 0.15 3 PLC ± - 4 PLC ± - ANGLES ± 3°		APVD DM REVAK 03 JUNE 2003	DRAWING NO A2 00779 C=1438243	
MATERIAL SEE NOTES		FINISH SEE NOTES	WEIGHT -	RESTRICTED TO -
CUSTOMER DRAWING		SCALE 4:1	SHEET 1 of 1	REV A