



Chipsmall Limited consists of a professional team with an average of over 10 year of expertise in the distribution of electronic components. Based in Hongkong, we have already established firm and mutual-benefit business relationships with customers from,Europe,America and south Asia,supplying obsolete and hard-to-find components to meet their specific needs.

With the principle of “Quality Parts,Customers Priority,Honest Operation,and Considerate Service”,our business mainly focus on the distribution of electronic components. Line cards we deal with include Microchip,ALPS,ROHM,Xilinx,Pulse,ON,Everlight and Freescale. Main products comprise IC,Modules,Potentiometer,IC Socket,Relay,Connector.Our parts cover such applications as commercial,industrial, and automotives areas.

We are looking forward to setting up business relationship with you and hope to provide you with the best service and solution. Let us make a better world for our industry!



Contact us

Tel: +86-755-8981 8866 Fax: +86-755-8427 6832

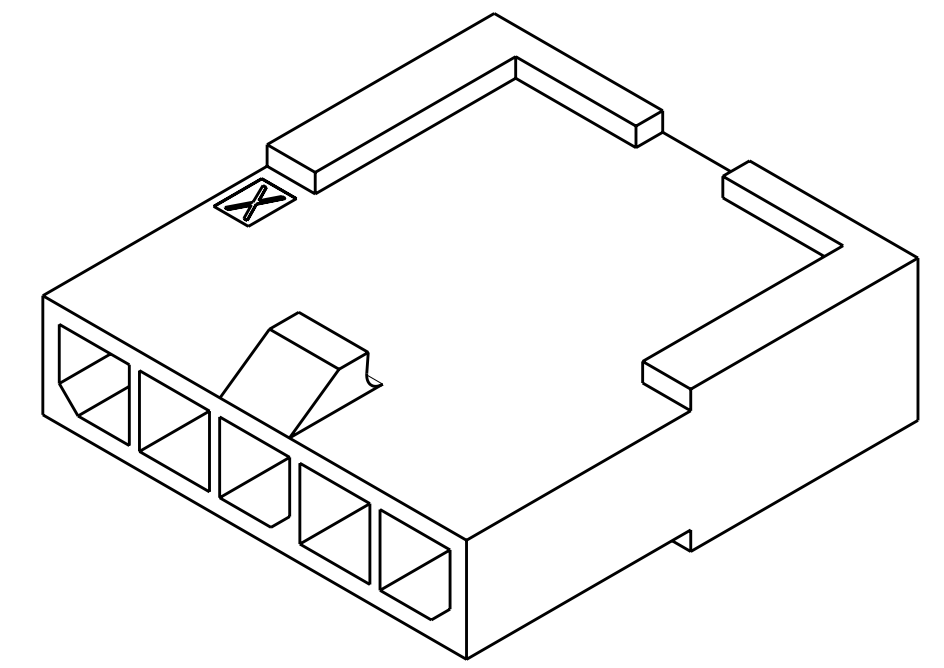
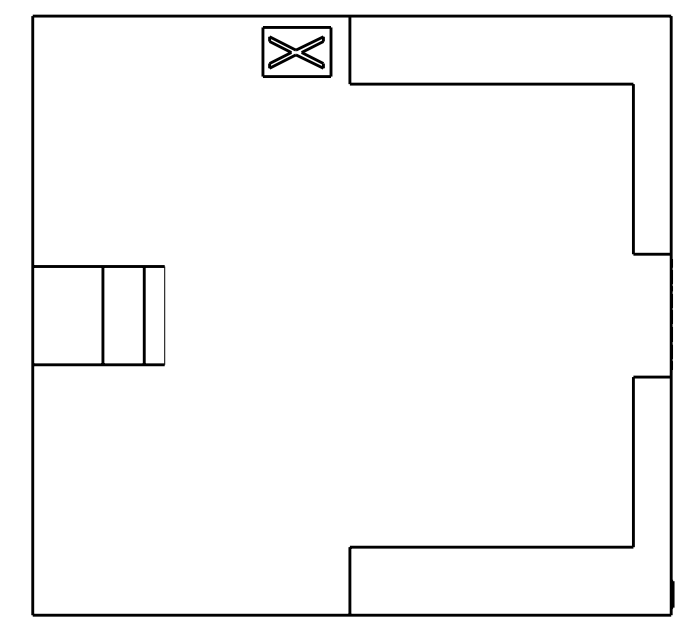
Email & Skype: info@chipsmall.com Web: www.chipsmall.com

Address: A1208, Overseas Decoration Building, #122 Zhenhua RD., Futian, Shenzhen, China

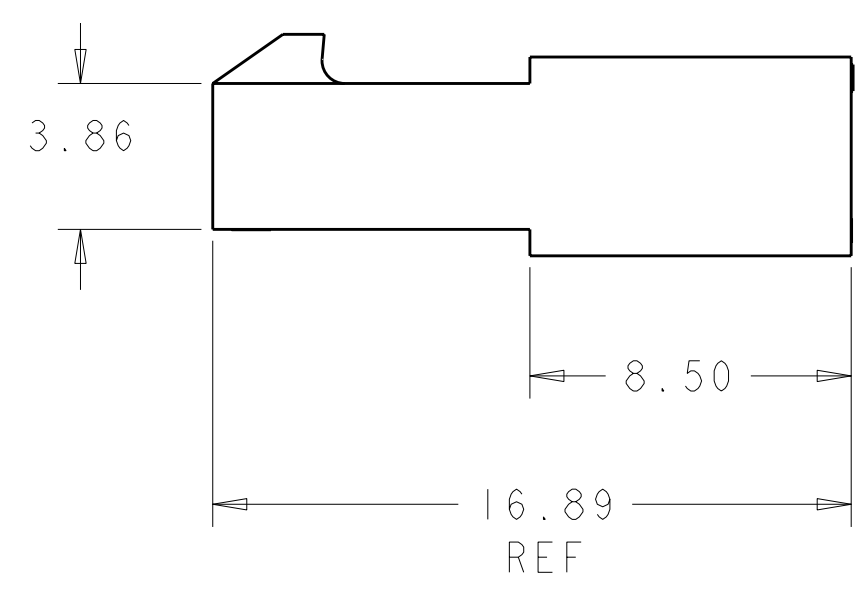
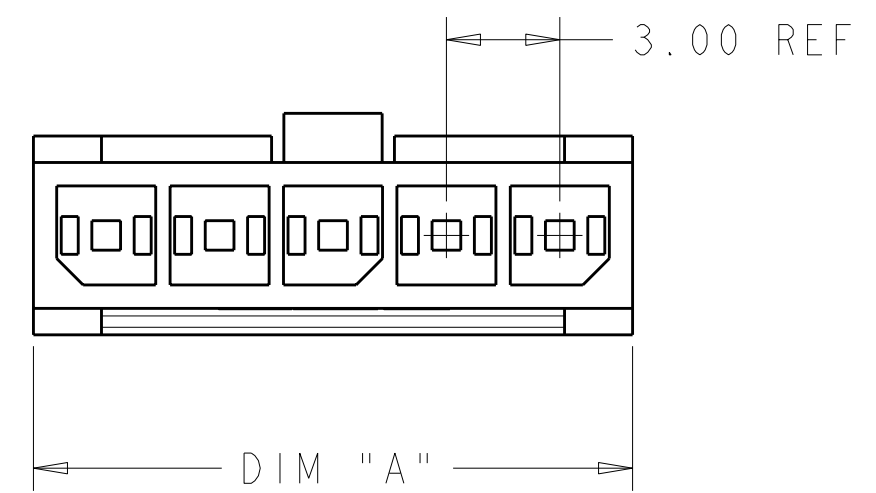


THIS DRAWING IS UNPUBLISHED. RELEASED FOR PUBLICATION 20
 © COPYRIGHT 20 ALL RIGHTS RESERVED.

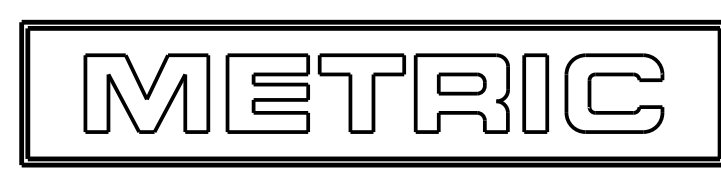
LOC	DIST	REVISIONS			
P	LTR	DESCRIPTION	DATE	DWN	APVD
CM	00	P	REVISED PER ECO-11-005294	06APR2011	RK HMR



SCALE 5:1



36.85	12	1-1445049-2
33.85	11	1-1445049-1
30.85	10	1-1445049-0
27.85	9	1445049-9
24.85	8	1445049-8
21.85	7	1445049-7
18.85	6	1445049-6
15.85	5	1445049-5
12.85	4	1445049-4
9.85	3	1445049-3
6.85	2	1445049-2
DIM A	NO. OF POS.	PART NUMBER



THIS DRAWING IS A CONTROLLED DOCUMENT.		DWN W. J. RUDY 29AUG2000	TE Connectivity	
DIMENSIONS: mm		CHK W. DAVIS 29AUG2000		
TOLERANCES UNLESS OTHERWISE SPECIFIED:		APVD W. DAVIS 29AUG2000	NAME PLUG HOUSING, 2 TO 12 POSITION, SINGLE ROW, FREE HANGING, MICRO MATE-N-LOK™	
0 PLC ± 1 PLC ± 2 PLC ±0.13 3 PLC ± 4 PLC ± ANGLES ± FINISH		PRODUCT SPEC -	SIZE A200779C-1445049	
MATERIAL NYLON, UL94V-0 BLACK		APPLICATION SPEC -	RESTRICTED TO -	
		WEIGHT -	SCALE 5:1 SHEET 1 OF 1 REV P	
		CUSTOMER DRAWING		