



Chipsmall Limited consists of a professional team with an average of over 10 year of expertise in the distribution of electronic components. Based in Hongkong, we have already established firm and mutual-benefit business relationships with customers from,Europe,America and south Asia,supplying obsolete and hard-to-find components to meet their specific needs.

With the principle of “Quality Parts,Customers Priority,Honest Operation,and Considerate Service”,our business mainly focus on the distribution of electronic components. Line cards we deal with include Microchip,ALPS,ROHM,Xilinx,Pulse,ON,Everlight and Freescale. Main products comprise IC,Modules,Potentiometer,IC Socket,Relay,Connector.Our parts cover such applications as commercial,industrial, and automotives areas.

We are looking forward to setting up business relationship with you and hope to provide you with the best service and solution. Let us make a better world for our industry!



## Contact us

Tel: +86-755-8981 8866 Fax: +86-755-8427 6832

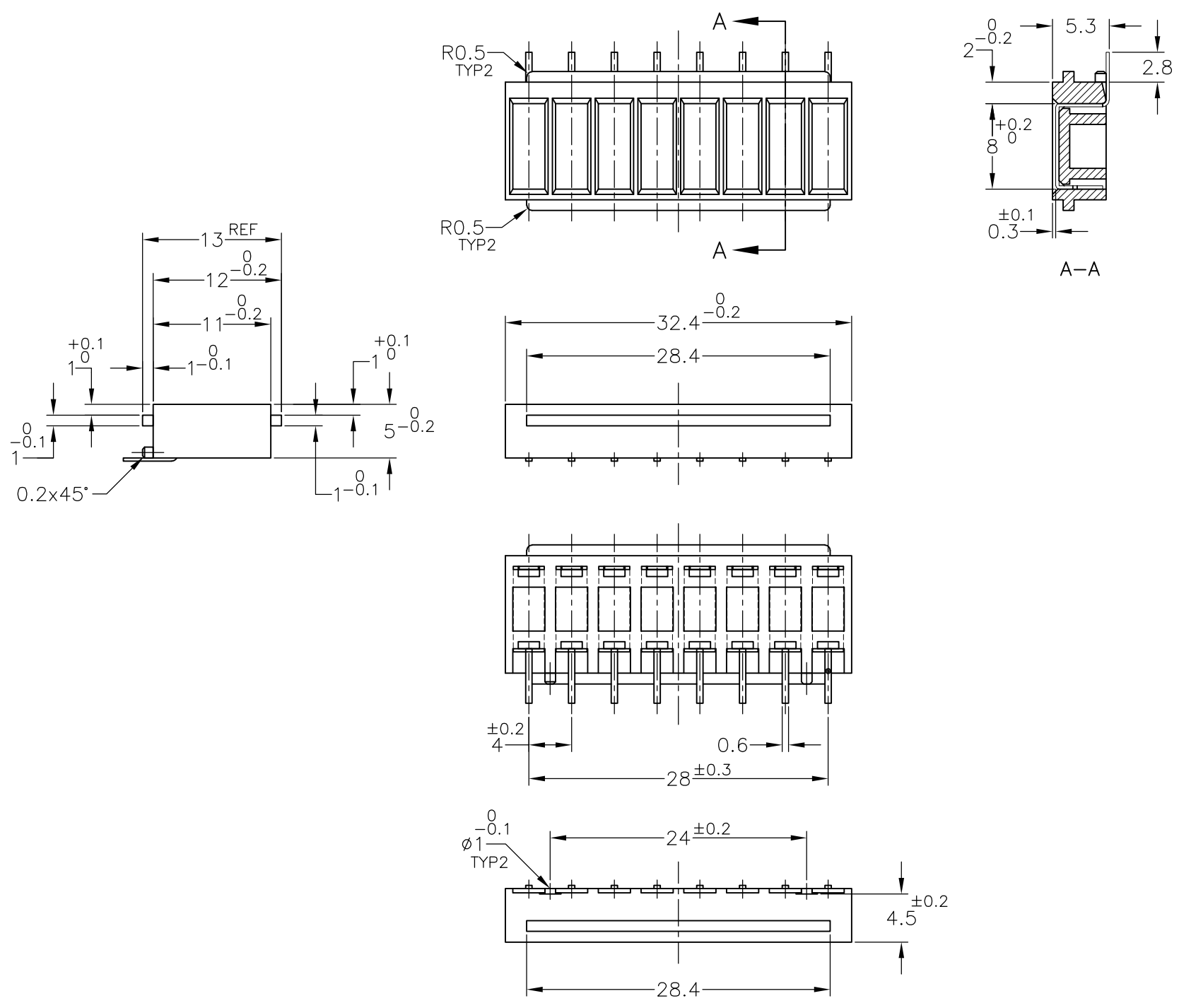
Email & Skype: info@chipsmall.com Web: www.chipsmall.com

Address: A1208, Overseas Decoration Building, #122 Zhenhua RD., Futian, Shenzhen, China



THIS DRAWING IS UNPUBLISHED. RELEASED FOR PUBLICATION MAY, 2001.  
 © COPYRIGHT 2001 BY TYCO ELECTRONICS CORPORATION. ALL INTERNATIONAL RIGHTS RESERVED.

LOC	DIST	REVISIONS			
P	LTR	DESCRIPTION	DATE	DWN	APVD
J	/	B	REVISED	25NOV2009	M.I T.K



- 1 一般公差: ±0.2
  - 2 材質  
ハウジング: ガラス強化 LCP 樹脂 (色調 黒)  
UL グレード 94V-0  
コンタクト: リン青銅 t=0.3
  - 3 めっき  
ニッケルめっきタイプ: 全面光沢ニッケルめっき  
リード部: 金めっき  
金めっきタイプ: 全面ニッケル下地めっき  
接触部: 金めっき 0.3um MIN  
リード部: 金めっき
  - 4 性能に影響するキズや変形等のなきこと。
- 
- 1 GENERAL TOLERANCE: ±0.2
  - 2 MATERIAL  
HOUSING: GLASS REINFORCED LCP (BLACK)  
UL GRADE 94V-0  
CONTACT: PhBr t=0.3
  - 3 PLATING  
NICKEL PLATING TYPE: OVERALL BRIGHT NICKEL PLATING  
SOLDER LEAD: Au PLATING  
Au PLATING TYPE: OVERALL NICKEL UNDER PLATING  
CONTACT POINT: Au PLATING 0.3um MIN.  
SOLDER LEAD: Au PLATING
  - 4 NO DAMAGE AND DEFORM WHICH COULD AFFECT FUNCTION.

1-1447141-8	3900065-01	金めっき品	Au PLATING
1-1447141-7	3900065-00	ニッケルめっき品	NICKEL PLATING
型番 PART NUMBER	旧型番 OLD PART NUMBER	備考 REMARK	
DWN M.INOUE	31MAY2001	Tyco Electronics Corporation Kawasaki, Japan	
CHK I.ENOMOTO	31MAY2001		
APVD I.ENOMOTO	31MAY2001	NAME	
PRODUCT SPEC		BATTERY TERMINAL ASSY	
APPLICATION SPEC		SIZE	CAGE CODE
WEIGHT		DRAWING NO	
CUSTOMER DRAWING		A3	00779
		C-1-1447141-7	
		SCALE	SHEET
		2:1	1 OF 1
		REV	B

THIS DRAWING IS A CONTROLLED DOCUMENT.

DIMENSIONS:	TOLERANCES UNLESS OTHERWISE SPECIFIED:
mm	0 PLC ± -
	1 PLC ± -
	2 PLC ± -
	3 PLC ± -
	4 PLC ± -
	ANGLES ± -
MATERIAL	FINISH ± -