



Chipsmall Limited consists of a professional team with an average of over 10 year of expertise in the distribution of electronic components. Based in Hongkong, we have already established firm and mutual-benefit business relationships with customers from,Europe,America and south Asia,supplying obsolete and hard-to-find components to meet their specific needs.

With the principle of “Quality Parts,Customers Priority,Honest Operation,and Considerate Service”,our business mainly focus on the distribution of electronic components. Line cards we deal with include Microchip,ALPS,ROHM,Xilinx,Pulse,ON,Everlight and Freescale. Main products comprise IC,Modules,Potentiometer,IC Socket,Relay,Connector.Our parts cover such applications as commercial,industrial, and automotives areas.

We are looking forward to setting up business relationship with you and hope to provide you with the best service and solution. Let us make a better world for our industry!



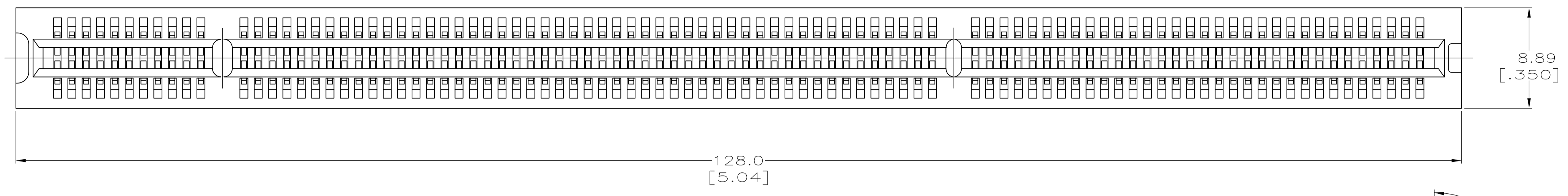
Contact us

Tel: +86-755-8981 8866 Fax: +86-755-8427 6832

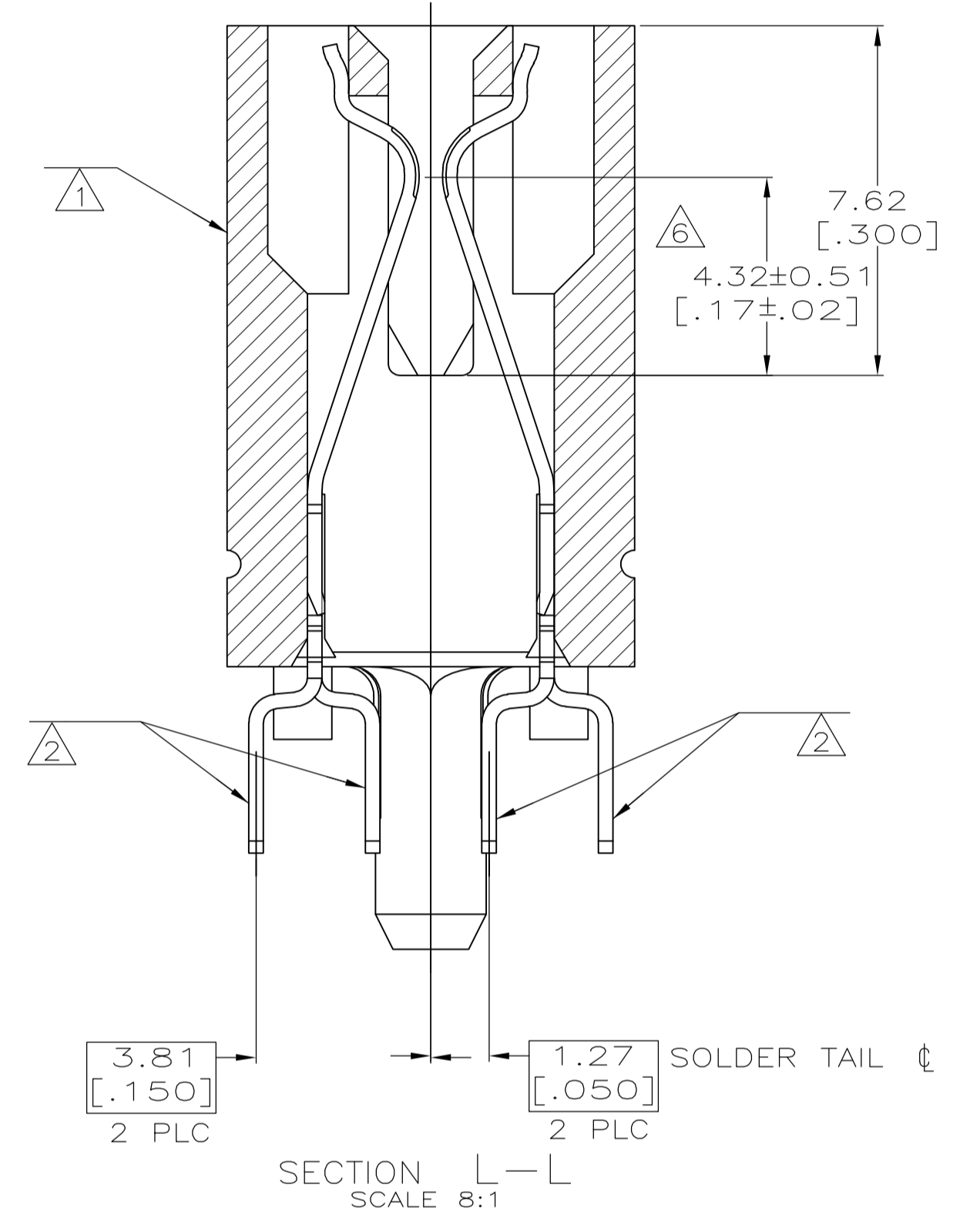
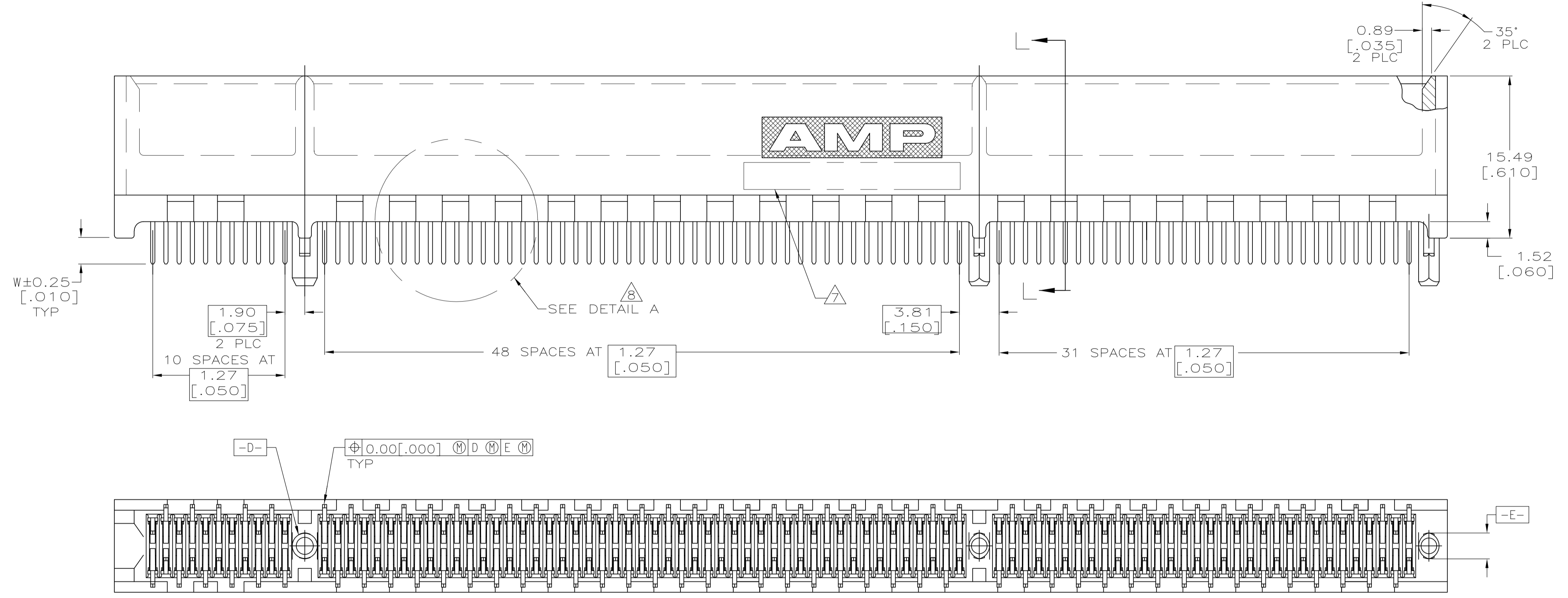
Email & Skype: info@chipsmall.com Web: www.chipsmall.com

Address: A1208, Overseas Decoration Building, #122 Zhenhua RD., Futian, Shenzhen, China

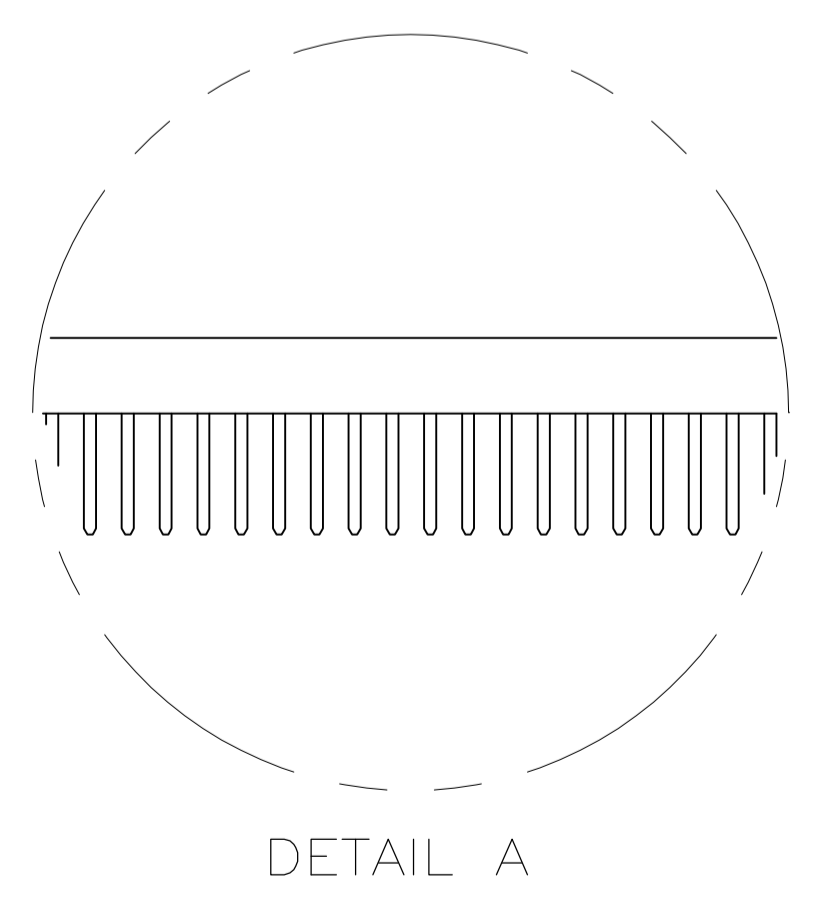




SEE SHEET 2 FOR NOTES



SEE SHEET 2 FOR HOLE PATTERN



3.56 [.140]	△	1-145165-2
3.17 [.125]	△	145165-8
2.54 [.100]	△	145165-4
2.54 [.100]	△	145165-3
2.54 [.100]	△	145165-2
2.54 [.100]	△	145165-1
W	FINISH	PART NUMBER

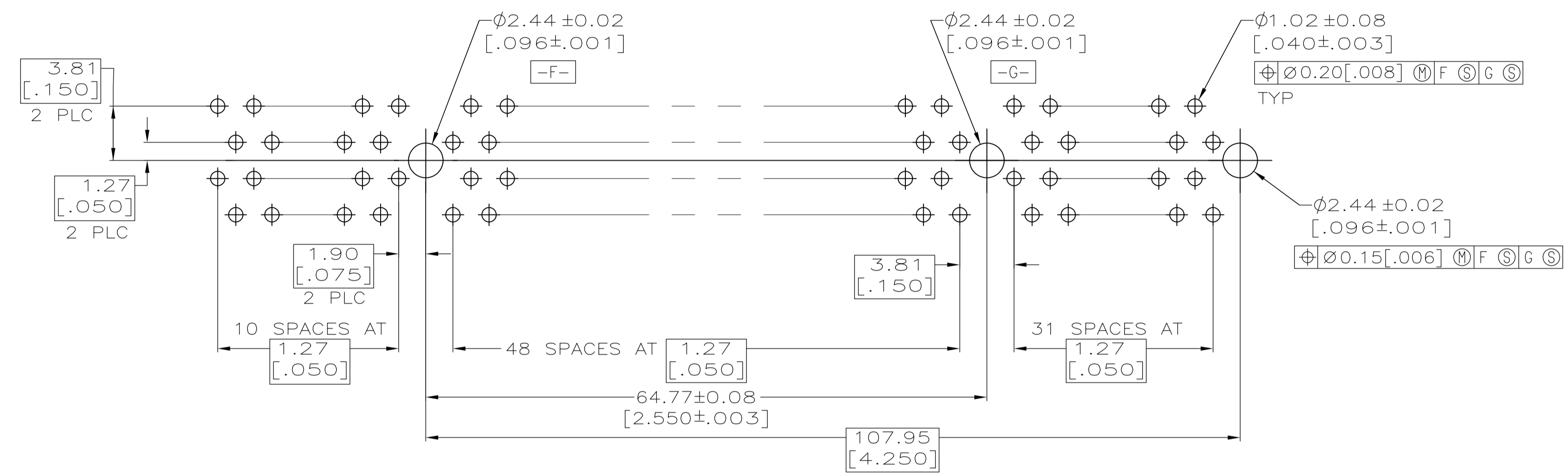
THIS DRAWING IS A CONTROLLED DOCUMENT.

DIMENSIONS: mm [INCHES]	TOLERANCES UNLESS OTHERWISE SPECIFIED:	DIN R BROWN 6/12/95	APVD M BOWERS 6/12/95	NAME
0 PLC ± -	1 PLC ± -	2 PLC ± 0.25[.01]	3 PLC ± 0.13[.005]	4 PLC ± -
ANGLES ± ±		PRODUCT SPEC	108-14034	APPLICATION SPEC
MATERIAL	FINISH	SIZE	114-26012	RESTRICTED TO
		WEIGHT	A1 00779	SCALE 4:1
		CUSTOMER DRAWING	145165	SHEET 1 OF 2

OBSELETE, SUPERSEDED BY -4
 △ SUPERSEDED BY 5145165-2
 OBSELETE

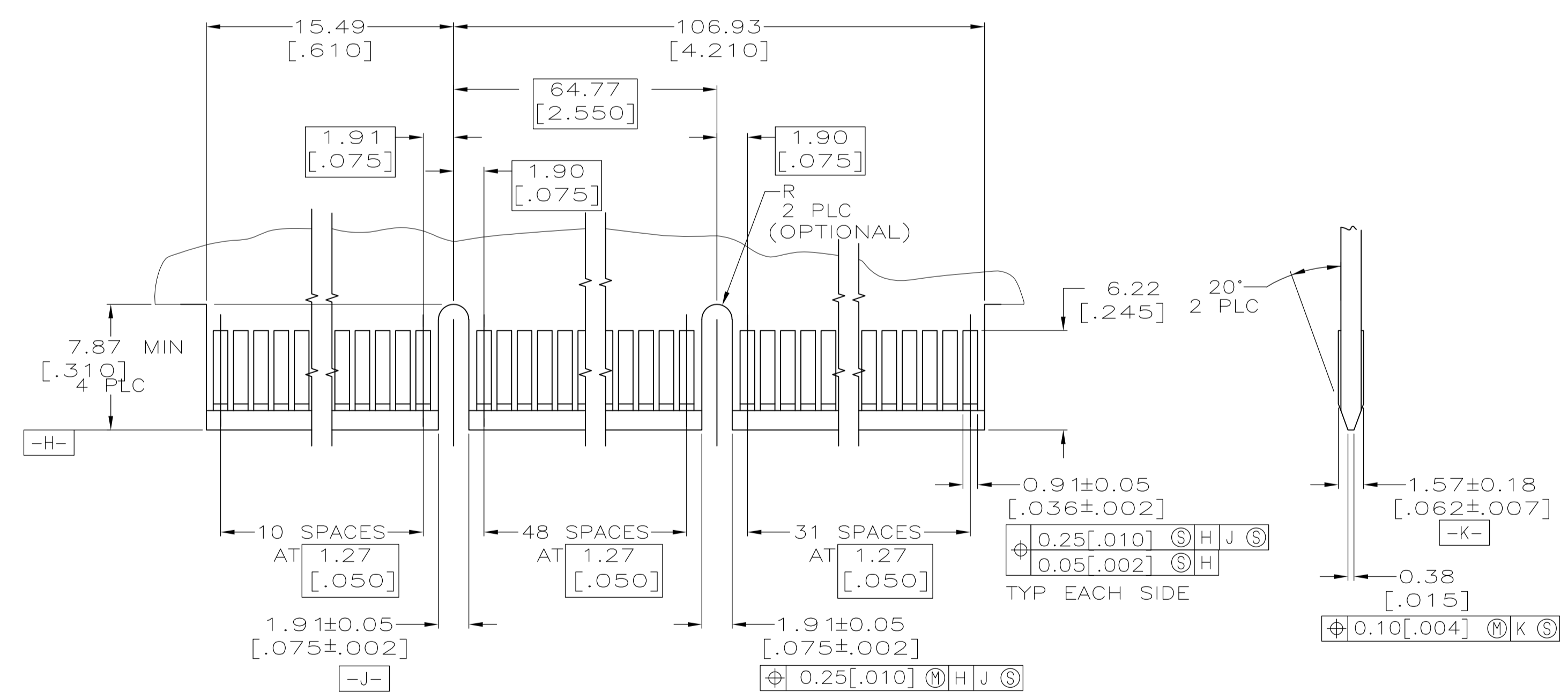
STE TE Connectivity

CONNECTOR ASSEMBLY,
92 DUAL POSITION,
.050 SERIES.



RECOMMENDED CONNECTOR MOUNTING HOLE PATTERN
(CONNECTOR SIDE SHOWN)

- 1 HOUSING: HIGH TEMPERATURE THERMOPLASTIC.
COLOR - NATURAL
- 2 CONTACT: PHOSPHOR BRONZE.
- 3 CONTACT FINISH: 0.00127[.000050] MIN NICKEL ALL OVER.
GOLD FLASH OVER NICKEL IN CONTACT AREA.
0.00254[.000100] MIN TIN-LEAD OVER NICKEL ON SOLDER TAILS.
- 4 CONTACT FINISH: 0.00127[.000050] MIN NICKEL ALL OVER.
0.00038[.000015] GOLD OVER NICKEL IN CONTACT AREA.
0.00254[.000100] MIN TIN-LEAD OVER NICKEL ON SOLDER TAILS.
- 5 CONTACT FINISH: 0.00127[.000050] MIN NICKEL ALL OVER.
0.00076[.000030] GOLD OVER NICKEL IN CONTACT AREA.
0.00254[.000100] MIN TIN-LEAD OVER NICKEL ON SOLDER TAILS.
- 6 DISTANCE FROM CONTACT POINT TO BOTTOM OF CARD SLOT.
- 7 AMP PART NUMBER, DATE CODE AND CSA LOGO MARKED IN APPROXIMATE LOCATION SHOWN.
- 8 CORED OR SOLID SIDE WALLS ARE AT DISCRETION OF AMP INCORPORATED.
- 9 OBSOLETE PARTS: OBSOLETE CIS STREAMLINING PER D.RENAUD/D.SINISI



RECOMMENDED MATING BOARD EDGE CONFIGURATION

THIS DRAWING IS A CONTROLLED DOCUMENT.		DIN	R BROWN	6/12/95	TE Connectivity
		CHK	M BOWERS	6/12/95	
DIMENSIONS: mm [INCHES]		TOLERANCES UNLESS OTHERWISE SPECIFIED:		NAME	
0 PLC ± - 1 PLC ± - 2 PLC ± 0.25[.01] 3 PLC ± 0.13[.005] 4 PLC ± ± ± ANGLES ± ± ±		PRODUCT SPEC 108-14034		CONNECTOR ASSEMBLY, 92 DUAL POSITION, .050 SERIES.	
MATERIAL: SEE SHEET 1		FINISH: SEE SHEET 1		APPLICATION SPEC 114-26012	
		WEIGHT: -		SIZE: A1 CAGE CODE: 00779 DRAWING NO: 145165	
		CUSTOMER DRAWING		SCALE: 4:1 SHEET: 2 OF 2 REV: H2	