



Chipsmall Limited consists of a professional team with an average of over 10 year of expertise in the distribution of electronic components. Based in Hongkong, we have already established firm and mutual-benefit business relationships with customers from,Europe,America and south Asia,supplying obsolete and hard-to-find components to meet their specific needs.

With the principle of "Quality Parts,Customers Priority,Honest Operation,and Considerate Service",our business mainly focus on the distribution of electronic components. Line cards we deal with include Microchip,ALPS,ROHM,Xilinx,Pulse,ON,Everlight and Freescale. Main products comprise IC,Modules,Potentiometer,IC Socket,Relay,Connector.Our parts cover such applications as commercial,industrial, and automotives areas.

We are looking forward to setting up business relationship with you and hope to provide you with the best service and solution. Let us make a better world for our industry!



Contact us

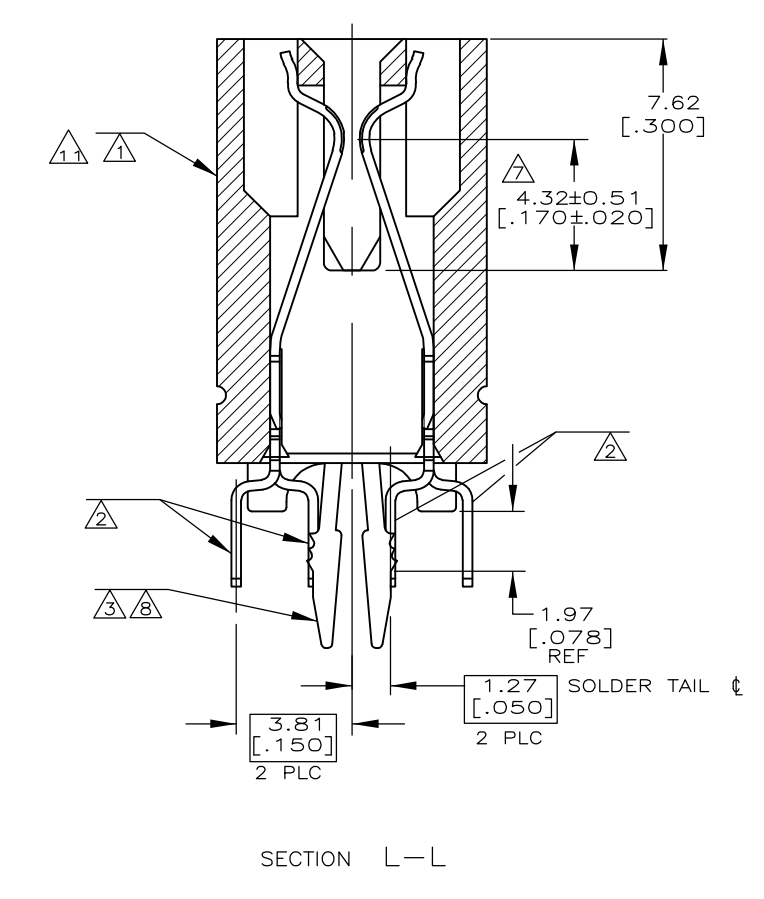
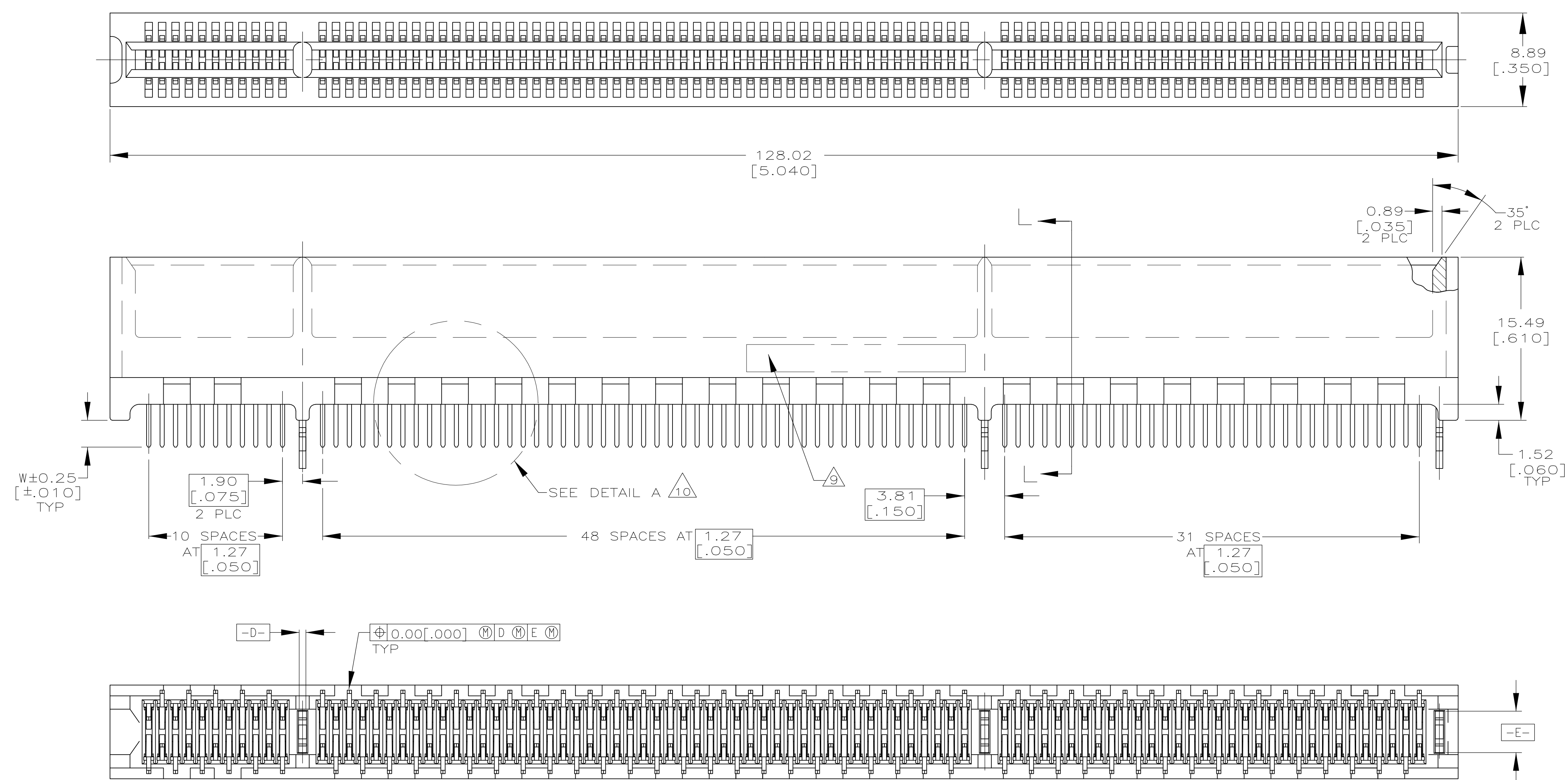
Tel: +86-755-8981 8866 Fax: +86-755-8427 6832

Email & Skype: info@chipsmall.com Web: www.chipsmall.com

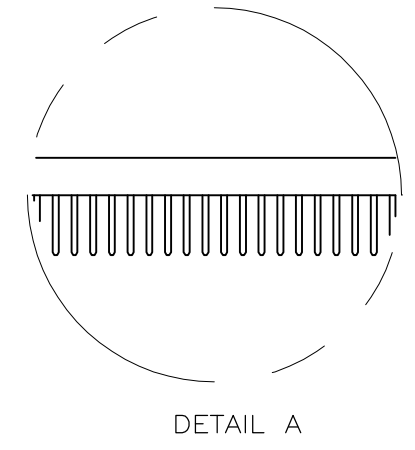
Address: A1208, Overseas Decoration Building, #122 Zhenhua RD., Futian, Shenzhen, China



| LOC | | DIST | | REVISIONS | | | |
|-----|-----|---------------------------|---------|-----------|------|--|--|
| P | LTR | DESCRIPTION | DATE | DMN | APVD | | |
| M | | REV PER ECO-07-006121 | 15JUN07 | JRP | AWF | | |
| M1 | | REVISED PER ECO-09-021826 | 11SEP09 | KK | AEG | | |



SEE SHEET 2 FOR HOLE PATTERN



- △ HOUSING: HIGH TEMPERATURE THERMOPLASTIC. COLOR - NATURAL
- △ CONTACT: PHOSPHOR BRONZE.
- △ METAL HOLD DOWN: BRASS
- △ CONTACT FINISH: .001269[.000050] MIN NICKEL ALL OVER. GOLD FLASH OVER NICKEL IN CONTACT AREA. .002537[.000100] MIN TIN-LEAD OVER NICKEL ON SOLDER TAILS.
- △ CONTACT FINISH: .001269[.000050] MIN NICKEL ALL OVER. .000375[.000015] GOLD OVER NICKEL IN CONTACT AREA. .002537[.000100] MIN TIN-LEAD OVER NICKEL ON SOLDER TAILS.
- △ CONTACT FINISH: .001269[.000050] MIN NICKEL ALL OVER. .000757[.000030] GOLD OVER NICKEL IN CONTACT AREA. .002537[.000100] MIN TIN-LEAD OVER NICKEL ON SOLDER TAILS.
- △ DISTANCE FROM CONTACT POINT TO BOTTOM OF CARD SLOT.
- △ METAL HOLD DOWN FINISH: .001269[.000050] MIN NICKEL ALL OVER. .003809[.000150] MIN TIN-LEAD ALL OVER.
- △ AMP PART NUMBER, DATE CODE AND CSA LOGO MARKED IN APPROXIMATE LOCATION SHOWN.
- △ CORED OR SOLID SIDE WALLS ARE AT DISCRETION OF AMP INCORPORATED.
- △ HOUSING: HIGH TEMPERATURE THERMOPLASTIC. COLOR - GREEN, PANTONE COLORS 355C OR 365C
- △ CONTACT FINISH: .001269[.000050] MIN NICKEL ALL OVER. .000757[.000030] GOLD OVER NICKEL IN CONTACT AREA. .002537[.000100] MIN TIN OVER NICKEL ON SOLDER TAILS.
- △ OBSOLETE PARTS: OBSOLETE CIS STREAMLINING PER D.RENAUD/D.SINISI

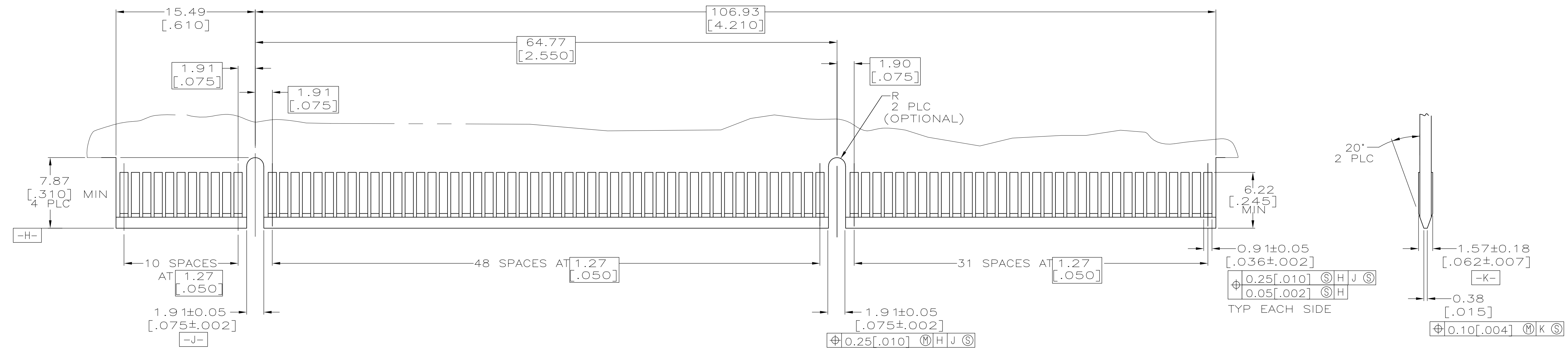
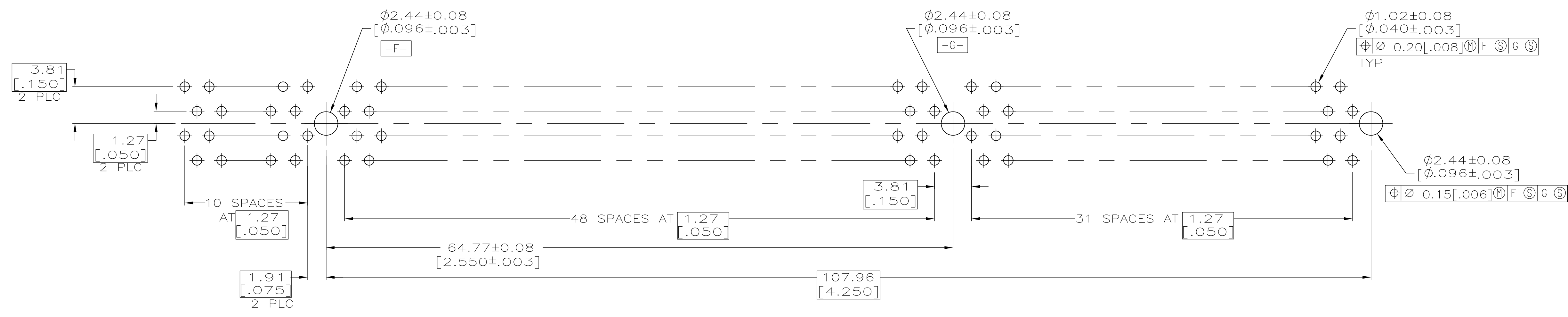
| SUPERSEDED BY | △ | 3.18 [.125] | △ | 9-145168-0 |
|---------------------------|---|-------------|---|------------|
| △ OBSOLETE | △ | 3.18 [.125] | △ | 2-145168-8 |
| | △ | 3.56 [.140] | △ | 1-145168-2 |
| | △ | 3.18 [.125] | △ | 145168-8 |
| | △ | 2.54 [.100] | △ | 145168-4 |
| | △ | 2.54 [.100] | △ | 145168-3 |
| △ SUPERSEDED BY 5145168-2 | △ | 2.54 [.100] | △ | 145168-2 |
| | △ | 2.54 [.100] | △ | 145168-1 |

| HSG MATL | W | FINISH | PART NUMBER |
|----------|---|--------|-------------|
| | | | |

THIS DRAWING IS A CONTROLLED DOCUMENT.

| | | | | |
|-------------------------|--|----------------------------|-----------------------|---|
| DIMENSIONS: mm [INCHES] | TOLERANCES UNLESS OTHERWISE SPECIFIED: | DIN R BROWN 6/12/95 | APVD M BOWERS 6/12/95 | Tyco Electronics Corporation Harrisburg, Pa 17105-3608 |
| 0 PLC ± - | 1 PLC ± - | PRODUCT SPEC 108-14034 | NAME | CONNECTOR ASSEMBLY, 92 DUAL POSITION, 1.27 [.050] SERIES. |
| 2 PLC ± 0.25 [.01] | 3 PLC ± 0.127 [.005] | APPLICATION SPEC 114-26012 | SIZE | CAGE CODE DRAWING NO |
| 4 PLC ± - ± Z | ANGLES ± - ± Z | WEIGHT | A1 00779 | RESTRICTED TO |
| MATERIAL | FINISH | CUSTOMER DRAWING | SCALE 4:1 | SHEET 1 OF 2 |

| LOC | DIST | REV | DATE | BY | APPV |
|-----------|------|-------------|------|----|------|
| GP | 00 | | | | |
| REVISIONS | | | | | |
| F | LTR | DESCRIPTION | DATE | BY | APPV |
| - | - | SEE SHEET 1 | - | - | - |



| | | | | |
|--|--|----------------------|---------------|---|
| THIS DRAWING IS A CONTROLLED DOCUMENT. | | DIN R BROWN 6/12/95 | | Tyco Electronics Corporation |
| | | CHK M BOWERS 6/12/95 | | Harrisburg, Pa 17105-3608 |
| DIMENSIONS: mm [INCHES] | TOLERANCES UNLESS OTHERWISE SPECIFIED: | APVD | NAME | CONNECTOR ASSEMBLY, 92 DUAL POSITION, 1.27 [.050] SERIES. |
| ϕ | 0 PLC ± - | PRODUCT SPEC | SIZE | 108-14034 |
| | 1 PLC ± - | APPLICATION SPEC | CAGE CODE | 114-26012 |
| | 2 PLC ± 0.25 [.01] | | DRAWING NO | 00779 |
| | 3 PLC ± 0.127 [.005] | | RESTRICTED TO | - |
| | 4 PLC ± - | WEIGHT | SCALE | 8:1 |
| | ANGLES ± - | CUSTOMER DRAWING | SHEET | 2 OF 2 |
| | | | REV | M1 |