



Chipsmall Limited consists of a professional team with an average of over 10 year of expertise in the distribution of electronic components. Based in Hongkong, we have already established firm and mutual-benefit business relationships with customers from,Europe,America and south Asia,supplying obsolete and hard-to-find components to meet their specific needs.

With the principle of “Quality Parts,Customers Priority,Honest Operation,and Considerate Service”,our business mainly focus on the distribution of electronic components. Line cards we deal with include Microchip,ALPS,ROHM,Xilinx,Pulse,ON,Everlight and Freescale. Main products comprise IC,Modules,Potentiometer,IC Socket,Relay,Connector.Our parts cover such applications as commercial,industrial, and automotives areas.

We are looking forward to setting up business relationship with you and hope to provide you with the best service and solution. Let us make a better world for our industry!



## Contact us

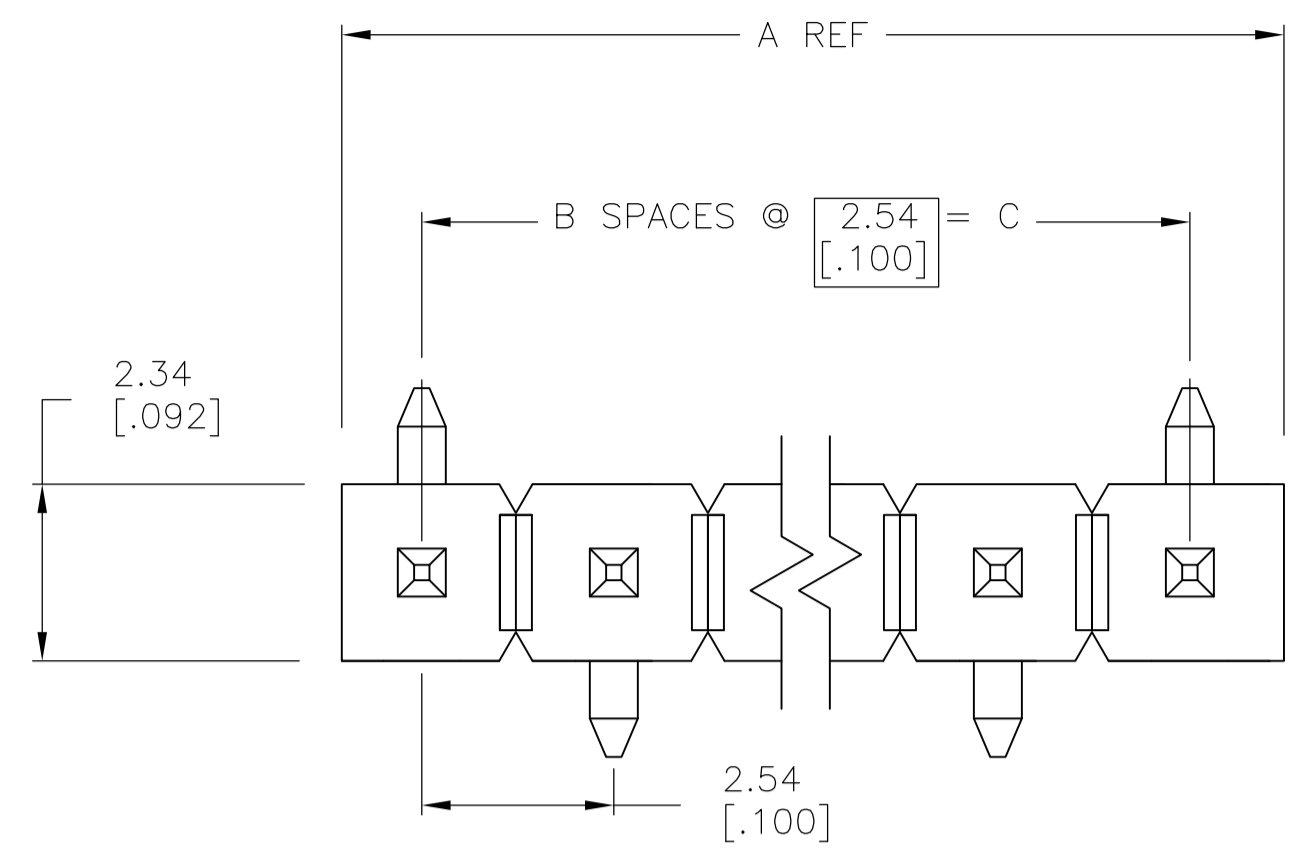
Tel: +86-755-8981 8866 Fax: +86-755-8427 6832

Email & Skype: info@chipsmall.com Web: www.chipsmall.com

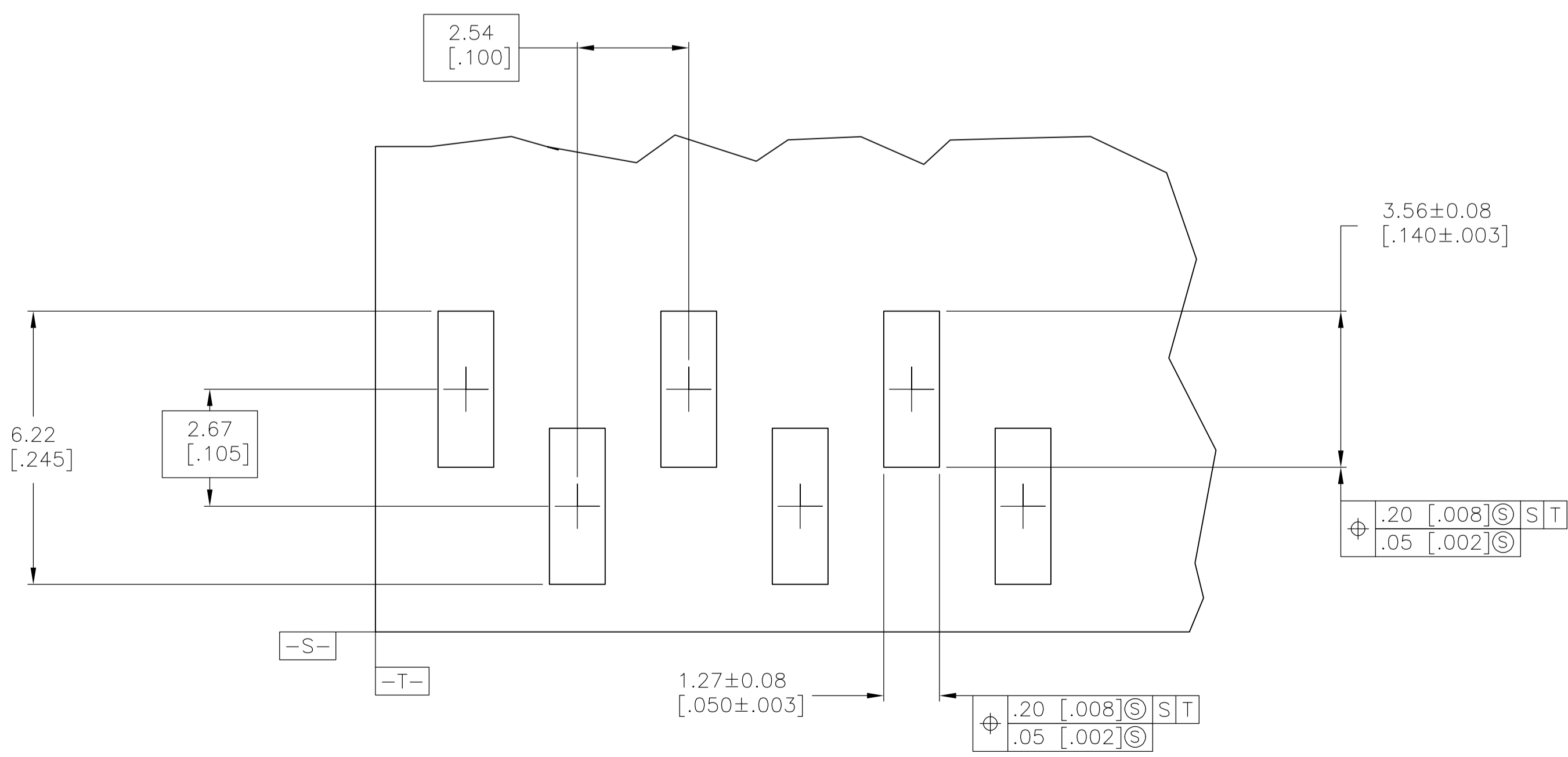
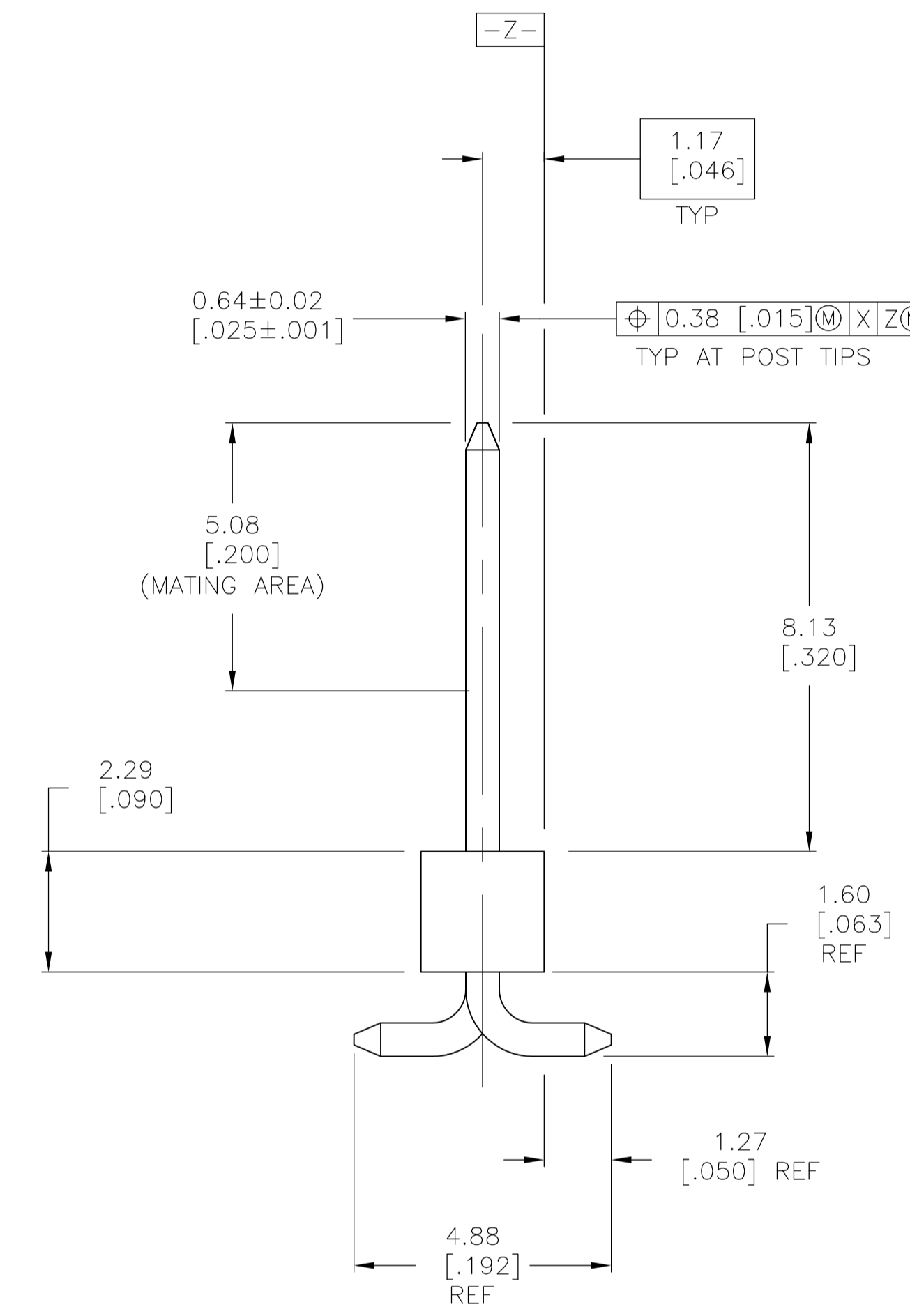
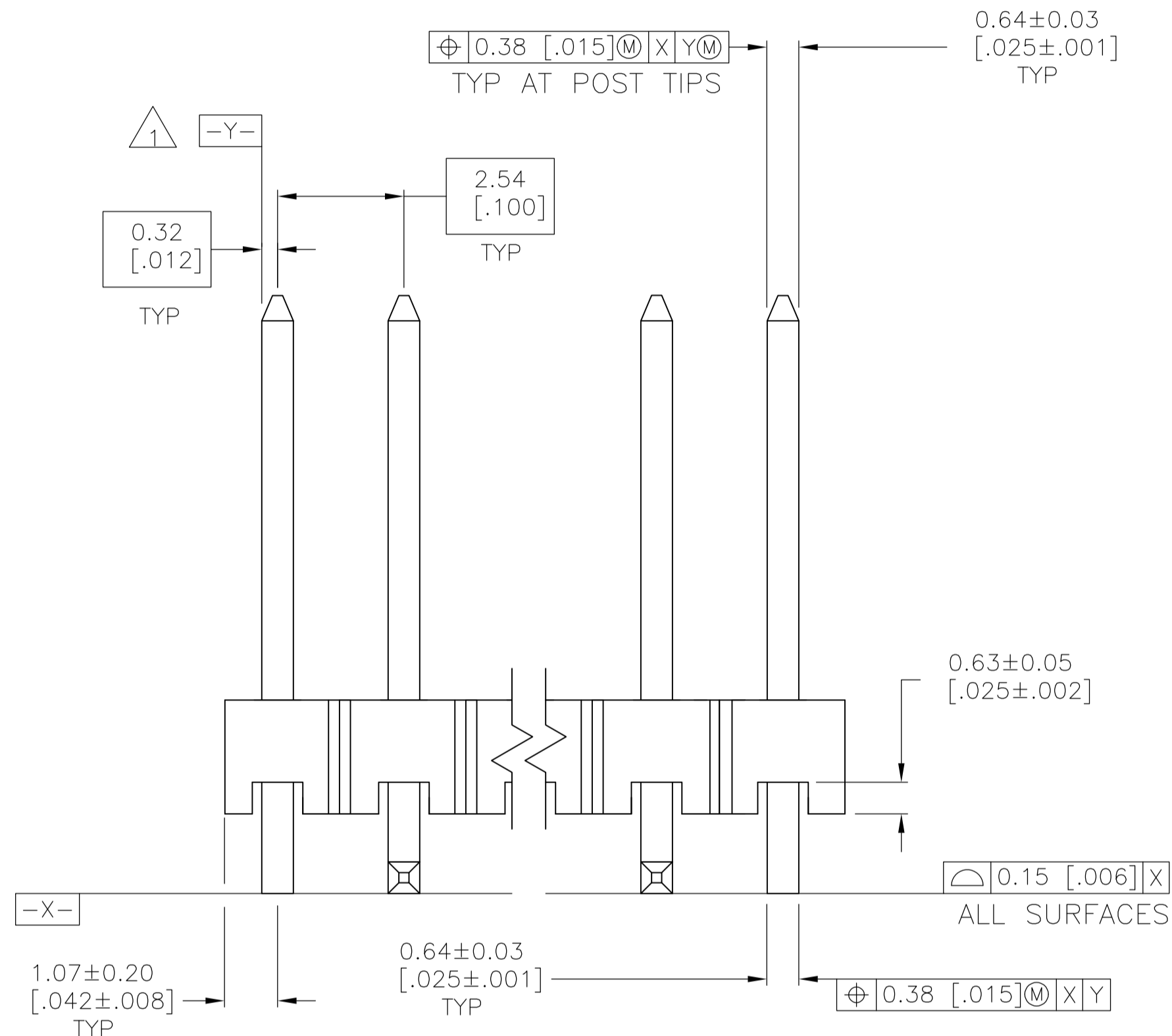
Address: A1208, Overseas Decoration Building, #122 Zhenhua RD., Futian, Shenzhen, China



REVISONS		DATE	BY	APPV
J	EC 0G3C 0826 04	16FEB05	BSV	JLG
J1	REVISED PER ECO-09-020932	07SEP09	KK	IAEG



- 1 THE NOTED DIMENSIONS APPLY AT THE INTERSECTION OF THE POST AND THE HOUSING.
- 2 0.000762[.000030] GOLD ON CONTACT AREA, 0.00254[.000100]-0.00508[.000200] MATTE TIN-LEAD ON SOLDER TAIL, ALL OVER 0.00127[.000050] NICKEL.
- 3 HOUSING: LCP, COLOR-BLACK. POSTS: PHOSPHOR BRONZE.
- 4 0.000762[.000030] GOLD ON CONTACT AREA, 0.00254[.000100]-0.00508[.000200] MATTE TIN ON SOLDER TAIL, ALL OVER 0.00127[.000050] NICKEL.
- 5 OBSOLETE PARTS: OBSOLETE CIS STREAMLINING PER D.RENAUD/D.SINISI



REV	DESCRIPTION	DATE	BY	APPV		
5	OBSOLETE	35.56 [1.400]	14	35.69 [1.484]	15	-6-146129-3-
5	OBSOLETE	33.02 [1.300]	13	33.15 [1.384]	14	-6-146129-2-
5	OBSOLETE	30.48 [1.200]	12	30.61 [1.284]	13	6-146129-1
5	OBSOLETE	27.94 [1.100]	11	28.07 [1.184]	12	-6-146129-0-
5	OBSOLETE	25.40 [1.000]	10	27.53 [1.084]	11	5-146129-9
5	OBSOLETE	22.86 [0.900]	9	24.99 [0.984]	10	-5-146129-8-
5	OBSOLETE	20.32 [0.800]	8	22.45 [0.884]	9	-5-146129-7-
5	OBSOLETE	17.78 [0.700]	7	19.91 [0.784]	8	5-146129-6
5	OBSOLETE	15.24 [0.600]	6	17.37 [0.684]	7	5-146129-5
5	OBSOLETE	12.70 [0.500]	5	14.83 [0.584]	6	-5-146129-4-
5	OBSOLETE	10.16 [0.400]	4	12.29 [0.484]	5	5-146129-3
5	OBSOLETE	7.62 [0.300]	3	9.75 [0.384]	4	5-146129-2
5	OBSOLETE	5.08 [0.200]	2	7.21 [0.284]	3	5-146129-1
5	OBSOLETE	35.56 [1.400]	14	35.69 [1.484]	15	-4-146129-3-
5	OBSOLETE	33.02 [1.300]	13	33.15 [1.384]	14	1-146129-2
5	SUPERSEDED	30.48 [1.200]	12	30.61 [1.284]	13	-4-146129-1-
5	SUPERSEDED	27.94 [1.100]	11	28.07 [1.184]	12	1-146129-0
5	SUPERSEDED	25.40 [1.000]	10	27.53 [1.084]	11	146129-9
5	OBSOLETE	22.86 [0.900]	9	24.99 [0.984]	10	-146129-8-
5	OBSOLETE	20.32 [0.800]	8	22.45 [0.884]	9	-146129-7-
5	SUPERSEDED	17.78 [0.700]	7	19.91 [0.784]	8	-146129-6-
5	SUPERSEDED	15.24 [0.600]	6	17.37 [0.684]	7	146129-5
5	OBSOLETE	12.70 [0.500]	5	14.83 [0.584]	6	-146129-4-
5	SUPERSEDED	10.16 [0.400]	4	12.29 [0.484]	5	-146129-3-
5	SUPERSEDED	7.62 [0.300]	3	9.75 [0.384]	4	146129-2
5	SUPERSEDED	5.08 [0.200]	2	7.21 [0.284]	3	146129-1

RECOMMENDED PCB LAYOUT FOR USE WITH .008 THICK STENCIL

THIS DRAWING IS A CONTROLLED DOCUMENT.

DIMENSIONS: mm [INCHES]

TOLERANCES UNLESS OTHERWISE SPECIFIED:

0. PLC	±	-
1. PLC	±	-
2. PLC	±	0.13[.005]
3. PLC	±	-
4. PLC	±	-
ANGLES	±	-

MATERIAL: 3 SEE TABLE

FINISH: SEE TABLE

WEIGHT: -

CUSTOMER DRAWING

DIN J KNAUB 9-30-94

CIK G DUBNICZKI 9-30-94

APV G DUBNICZKI 9-30-94

NAME: SURFACE MOUNT HEADER ASSEMBLY, MOD II, BREAKAWAY, VERTICAL, SINGLE ROW, .100 X.100 C/L, .025 SQ.POST

SIZE: A1

SCALE: 10:1

SHEET: 1 OF 1

REV: J1