



Chipsmall Limited consists of a professional team with an average of over 10 year of expertise in the distribution of electronic components. Based in Hongkong, we have already established firm and mutual-benefit business relationships with customers from,Europe,America and south Asia,supplying obsolete and hard-to-find components to meet their specific needs.

With the principle of “Quality Parts,Customers Priority,Honest Operation,and Considerate Service”,our business mainly focus on the distribution of electronic components. Line cards we deal with include Microchip,ALPS,ROHM,Xilinx,Pulse,ON,Everlight and Freescale. Main products comprise IC,Modules,Potentiometer,IC Socket,Relay,Connector.Our parts cover such applications as commercial,industrial, and automotives areas.

We are looking forward to setting up business relationship with you and hope to provide you with the best service and solution. Let us make a better world for our industry!



Contact us

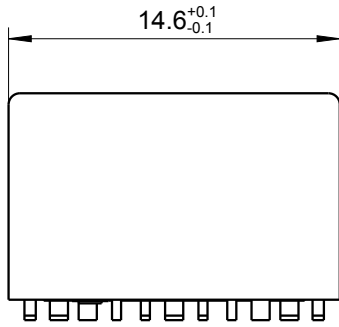
Tel: +86-755-8981 8866 Fax: +86-755-8427 6832

Email & Skype: info@chipsmall.com Web: www.chipsmall.com

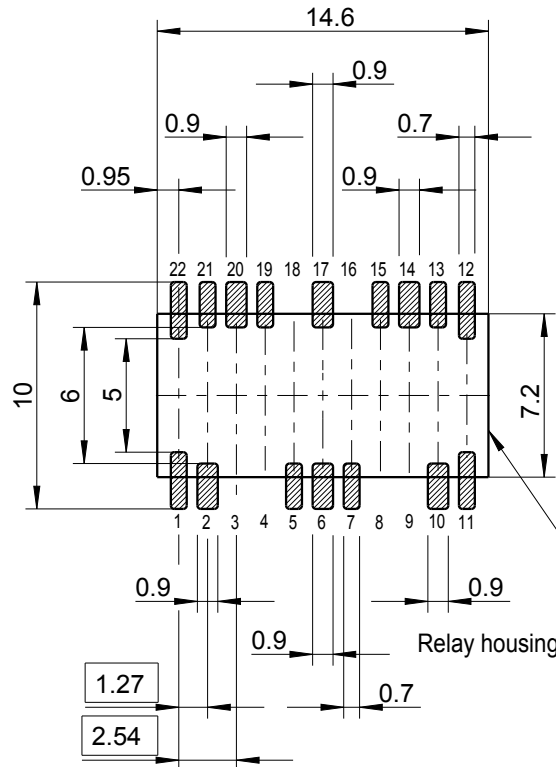
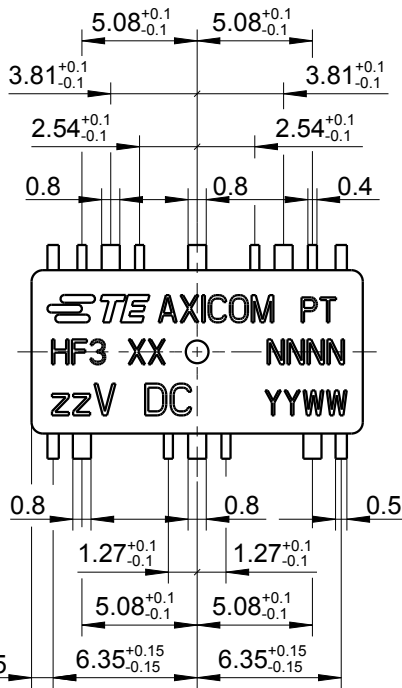
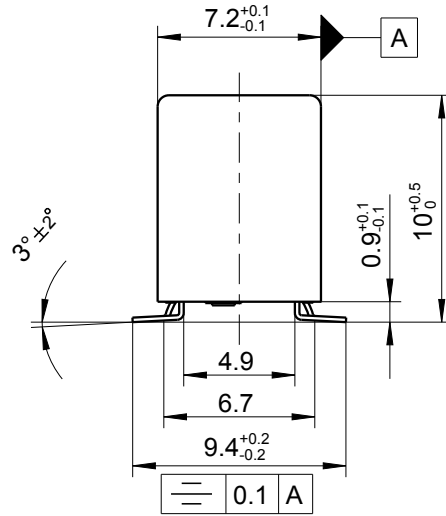
Address: A1208, Overseas Decoration Building, #122 Zhenhua RD., Futian, Shenzhen, China



LOC	DIST	REVISIONS					
		P	LTR	DESCRIPTION	DATE	DWN	APVD
HJ	-		C	Printing	21JUL2009	UKo	HD
			D	Printing	09JUL2010	UKo	HD
			D1	REVIESED PER eco-11-005150	09JUL2010	RK	HMR
			D2	REVISED PER ECO-11-017072 (ECR-13-009645)	14JUN2013	UKo	AK



Coplanarity ≤ 0.10mm



STE AXICOM PT
HF3 XX ⊕ NNNN
zzV DC YYWW

XX = Relay type
zz = nominal voltage
YYWW = Date code
NNNN = Lot number

DRAWING ALIAS: H2000-DOK02

DIMENSIONS: mm	DWN	UKo 9193	16AUG2002	MATERIAL	-	FINISH	-
	CHK	HD 9121	16AUG2002	TE Connectivity			
TOLERANCES UNLESS OTHERWISE SPECIFIED: DIN 7168-m	APVD	HD 9121	16AUG2002				
0 PLC ±-	PRODUCT SPEC	-		NAME			
1 PLC ±-	APPLICATION SPEC	-		HF3-Relay 50Ω Dimensions			
2 PLC ±-	WEIGHT	-		SIZE	CAGE CODE	DRAWING NO	RESTRICTED TO
3 PLC ±-	±1°	-		A4	00779	C-1462051-2	-
4 PLC ±-		-		CUSTOMER DRAWING			
ANGLES ±1°	-		SCALE	3:1	SHEET	1 OF 1	REV
	-						D2