



Chipsmall Limited consists of a professional team with an average of over 10 year of expertise in the distribution of electronic components. Based in Hongkong, we have already established firm and mutual-benefit business relationships with customers from,Europe,America and south Asia,supplying obsolete and hard-to-find components to meet their specific needs.

With the principle of “Quality Parts,Customers Priority,Honest Operation,and Considerate Service”,our business mainly focus on the distribution of electronic components. Line cards we deal with include Microchip,ALPS,ROHM,Xilinx,Pulse,ON,Everlight and Freescale. Main products comprise IC,Modules,Potentiometer,IC Socket,Relay,Connector.Our parts cover such applications as commercial,industrial, and automotives areas.

We are looking forward to setting up business relationship with you and hope to provide you with the best service and solution. Let us make a better world for our industry!



## Contact us

Tel: +86-755-8981 8866 Fax: +86-755-8427 6832

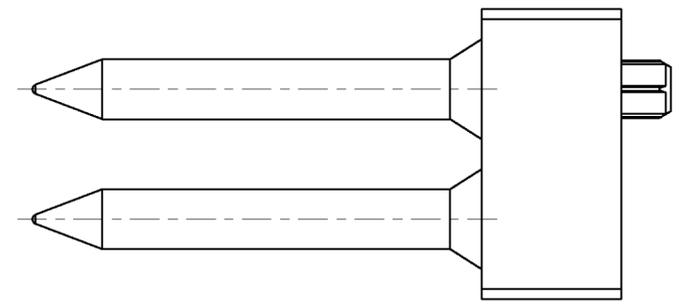
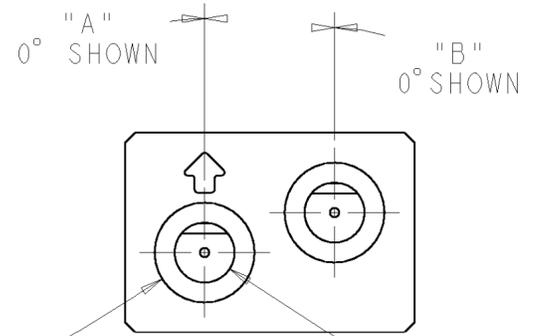
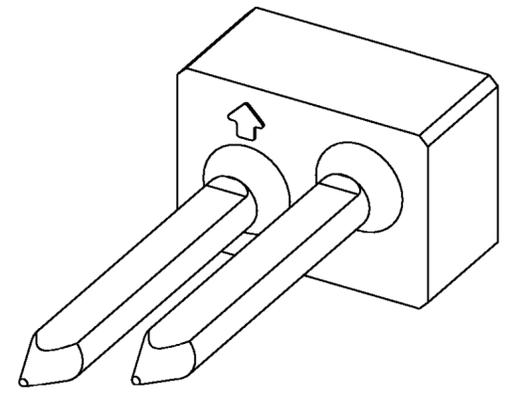
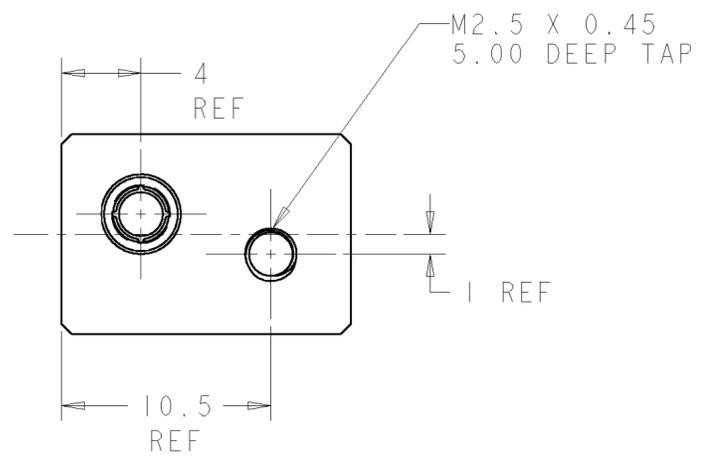
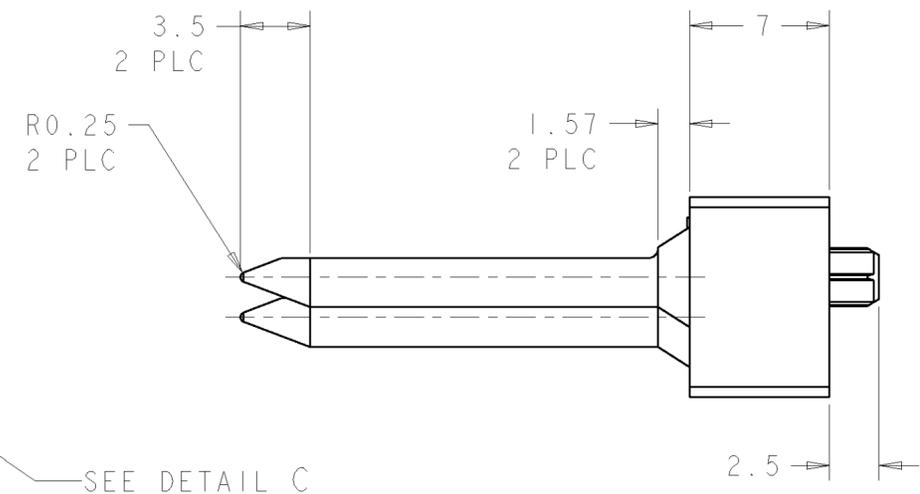
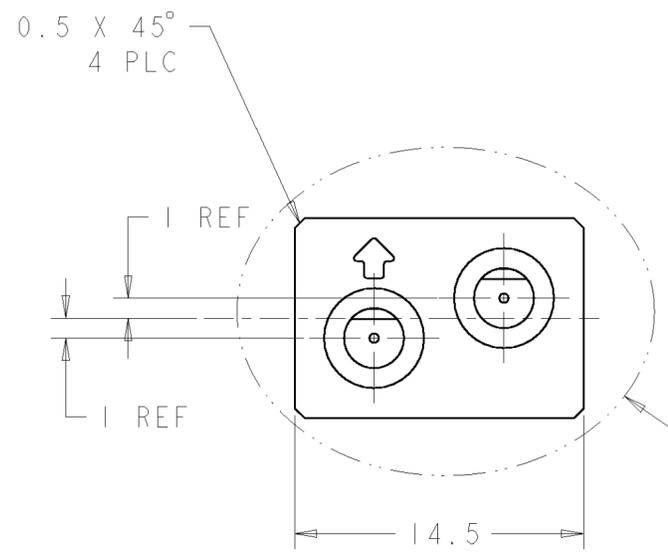
Email & Skype: info@chipsmall.com Web: www.chipsmall.com

Address: A1208, Overseas Decoration Building, #122 Zhenhua RD., Futian, Shenzhen, China

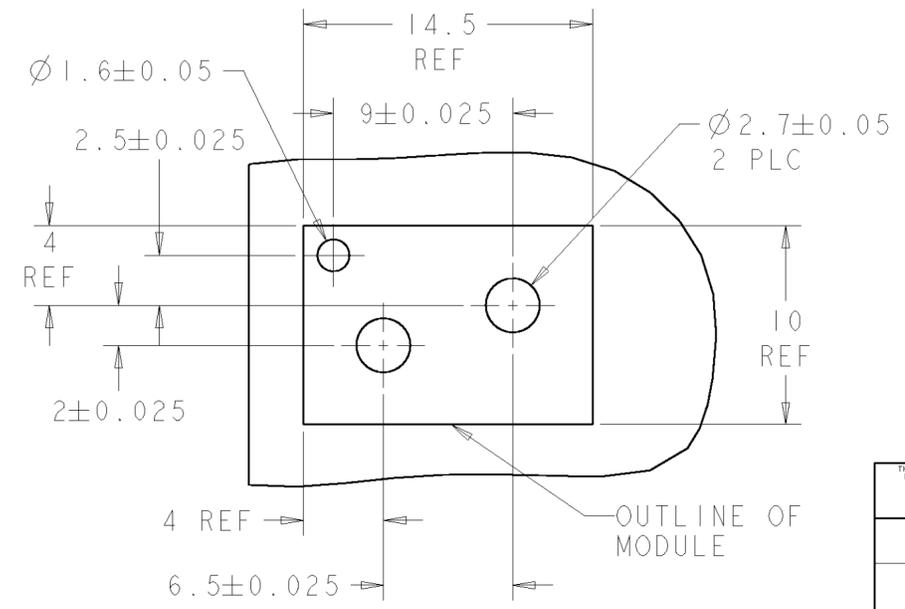


THIS DRAWING IS UNPUBLISHED. RELEASED FOR PUBLICATION 20  
 © COPYRIGHT 20 BY TYCO ELECTRONICS CORPORATION. ALL RIGHTS RESERVED.

LOC	DIST	REVISIONS					
AD	00	P	LTR	DESCRIPTION	DATE	DWN	APVD
		0		REV PER EC 0S12-0411-04	15DEC2004	BC	RP

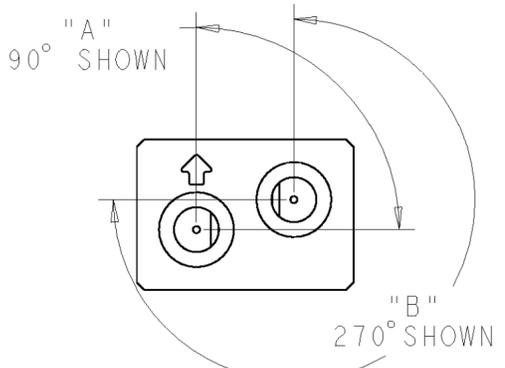


DETAIL C  
 SCALE 4:1  
 1-1469267-1 SHOWN



NOTES:  
 1. RECOMMENDED MOUNTING HARDWARE- M2.5 X 0.45 SCREW,  
 4.0MM LONG UP TO 2.9 MM THICK PCB  
 6.0MM LONG FOR 3.0 TO 4.0 MM THICK PCB,  
 8.0MM FOR 4.1 TO 6.0MM THICK PCB,  
 10.0MM FOR 6.1 TO 8.0MM THICK PCB.  
 (HARDWARE NOT SUPPLIED WITH PART NUMBER)

270°	90°	3-1469267-7
0°	0°	1-1469267-1
"A"	"B"	PART NUMBER



3-1469267-7

THIS DRAWING IS A CONTROLLED DOCUMENT FOR TYCO ELECTRONICS CORPORATION IT IS SUBJECT TO CHANGE AND THE CONTROLLING ENGINEERING ORGANIZATION SHOULD BE CONTACTED FOR THE LATEST REVISION.		DWN D. SZCZESNY 17DEC02	tyco Tyco Electronics Harrisburg, PA 17105-3608	
DIMENSIONS: mm		CHK R. PATTERSON 15DEC04	NAME ATCA GUIDE MODULE A1	
TOLERANCES UNLESS OTHERWISE SPECIFIED: 0 PLC ±0.2 1 PLC ±0.2 2 PLC ±0.13 3 PLC ±0.050 4 PLC ±0.0200 ANGLES ±0.5		APVD R. PATTERSON 15DEC04	PRODUCT SPEC -	
MATERIAL ZAMAC 3		FINISH NICKEL	APPLICATION SPEC -	RESTRICTED TO -
WEIGHT -		CUSTOMER DRAWING	SCALE 3:1	SHEET OF 1 REV 0