



Chipsmall Limited consists of a professional team with an average of over 10 year of expertise in the distribution of electronic components. Based in Hongkong, we have already established firm and mutual-benefit business relationships with customers from,Europe,America and south Asia,supplying obsolete and hard-to-find components to meet their specific needs.

With the principle of “Quality Parts,Customers Priority,Honest Operation,and Considerate Service”,our business mainly focus on the distribution of electronic components. Line cards we deal with include Microchip,ALPS,ROHM,Xilinx,Pulse,ON,Everlight and Freescale. Main products comprise IC,Modules,Potentiometer,IC Socket,Relay,Connector.Our parts cover such applications as commercial,industrial, and automotives areas.

We are looking forward to setting up business relationship with you and hope to provide you with the best service and solution. Let us make a better world for our industry!



Contact us

Tel: +86-755-8981 8866 Fax: +86-755-8427 6832

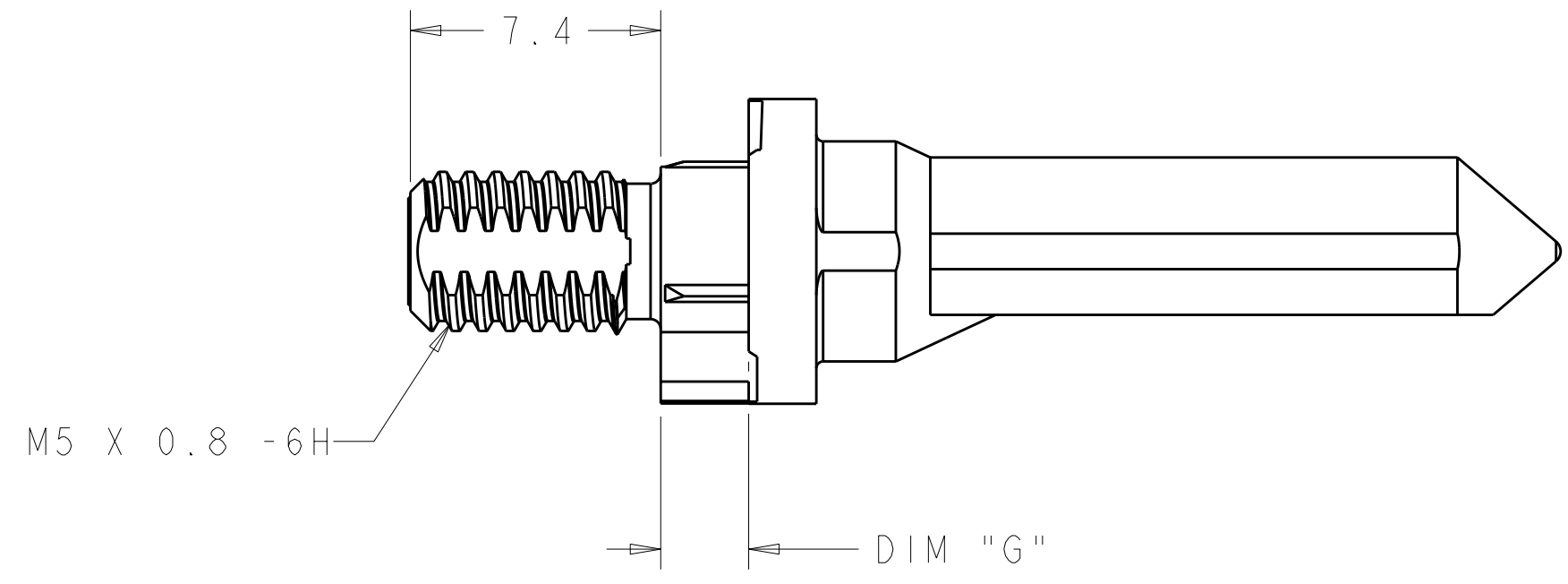
Email & Skype: info@chipsmall.com Web: www.chipsmall.com

Address: A1208, Overseas Decoration Building, #122 Zhenhua RD., Futian, Shenzhen, China

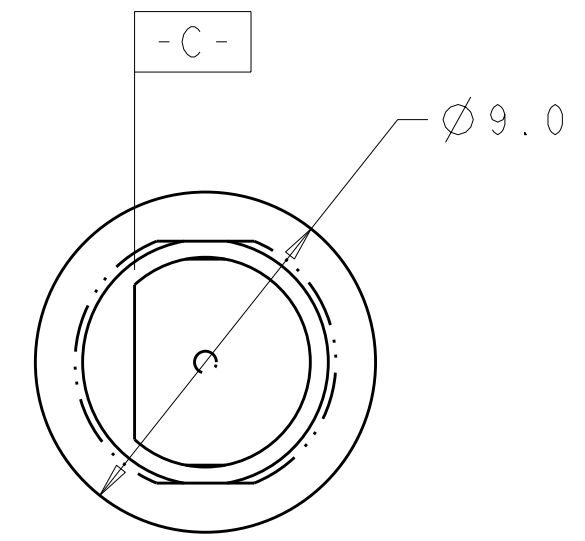
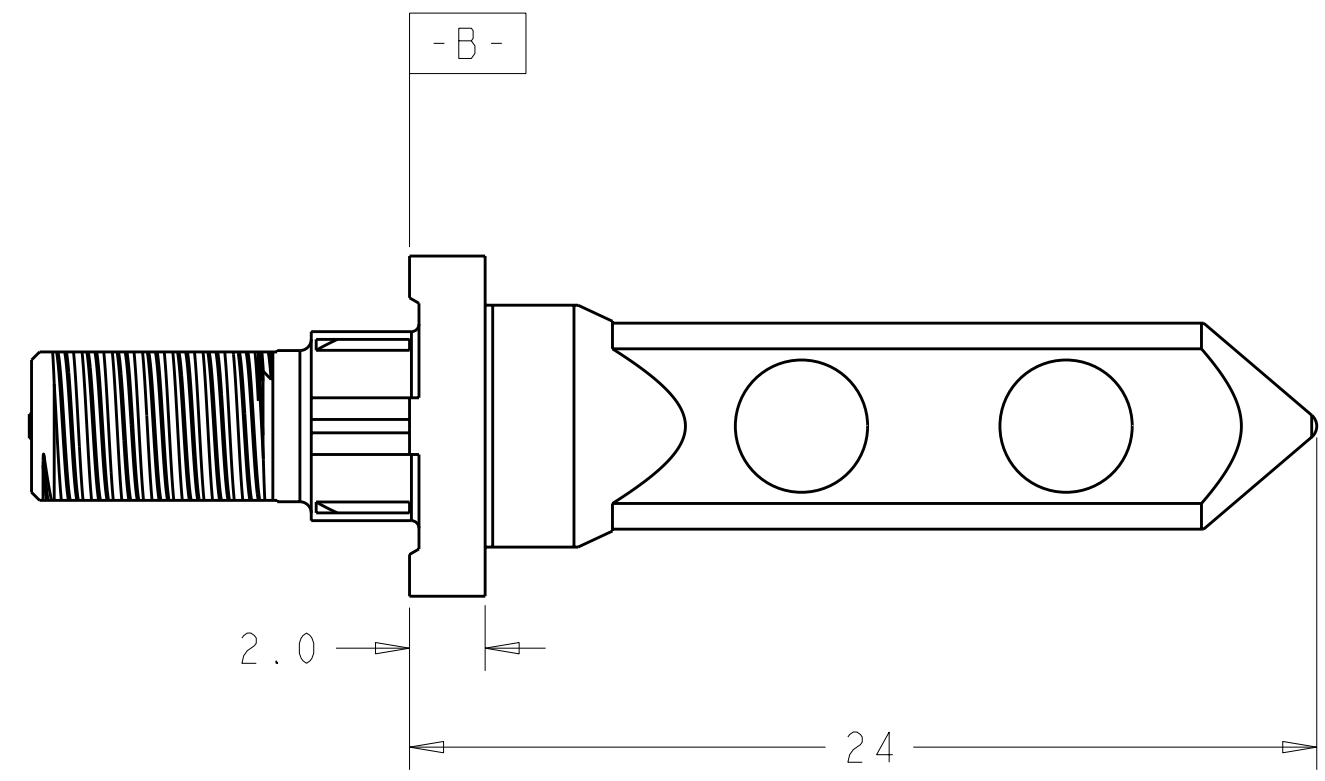
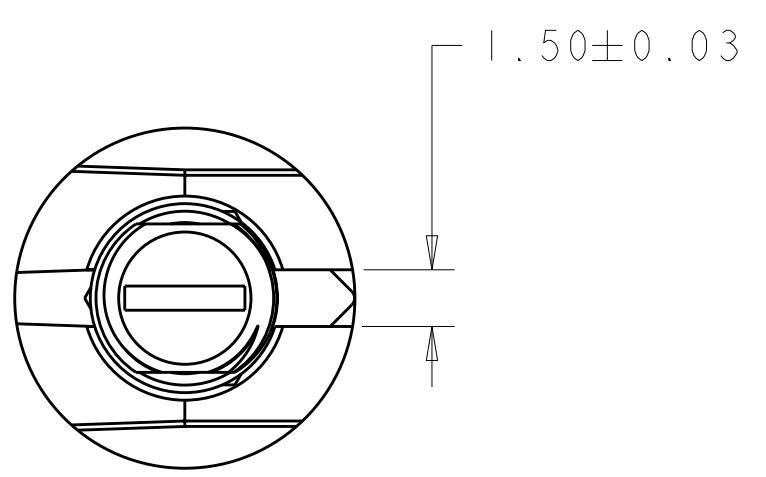


THIS DRAWING IS UNPUBLISHED. RELEASED FOR PUBLICATION 20
 © COPYRIGHT 20 BY - ALL RIGHTS RESERVED.

LOC		DIST		REVISIONS			
P	LTR	DESCRIPTION	DATE	DWN	APVD		
CG	00	B2	REVISD PER ECO-11-005027	14MAR2011	RK	HMR	



- 1 MATERIAL: ZINC ALLOY
- 2 OBSOLETE PART NUMBER
- 3 KEY HOLE ORIENTATION (DIM A) PER MATING GUIDE MODULE PART NUMBER TABLE (ORIENTATION SHOWN ON PCB LAYOUT IS FOR 1469492-2)
- 4 ANNULAR RING PLATED AROUND GUIDE PIN MOUNTING HOLE ON TOP AND BOTTOM SIDE OF BOARD
- 5 FINISH:
3.81µm MINIMUM SILVER IN CONTACT AREA
OVER NICKEL OVER COPPER ALL OVER

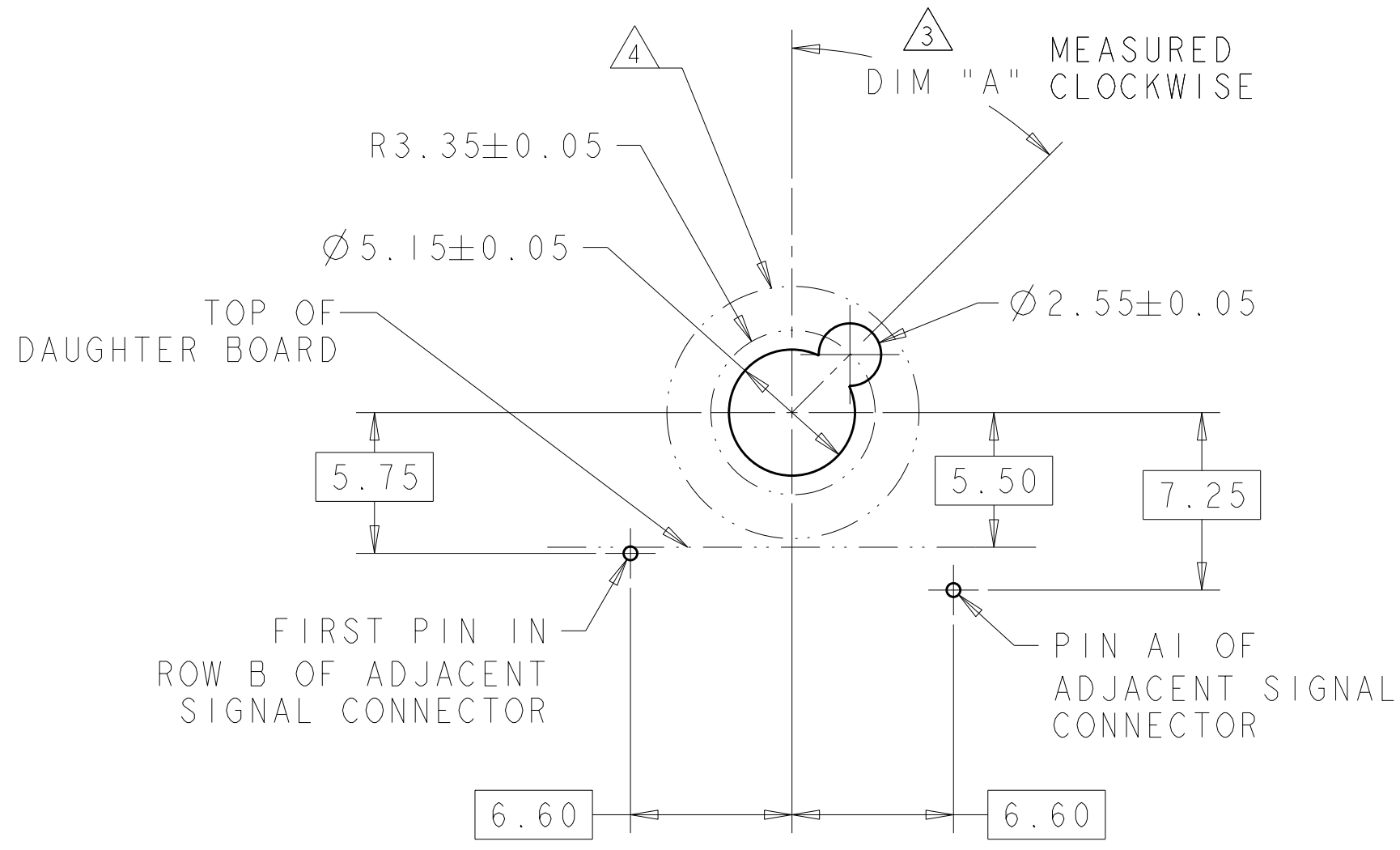


-	5.70	2-1469491-4	2
-	4.20	2-1469491-3	2
-	2.60	2-1469491-2	2
5	5.70	1-1469491-4	
5	4.20	1-1469491-3	
5	2.60	1-1469491-2	
-	5.70	1469491-4	2
-	4.20	1469491-3	2
-	2.60	1469491-2	2
FINISH	DIM "G"	PART NUMBER	

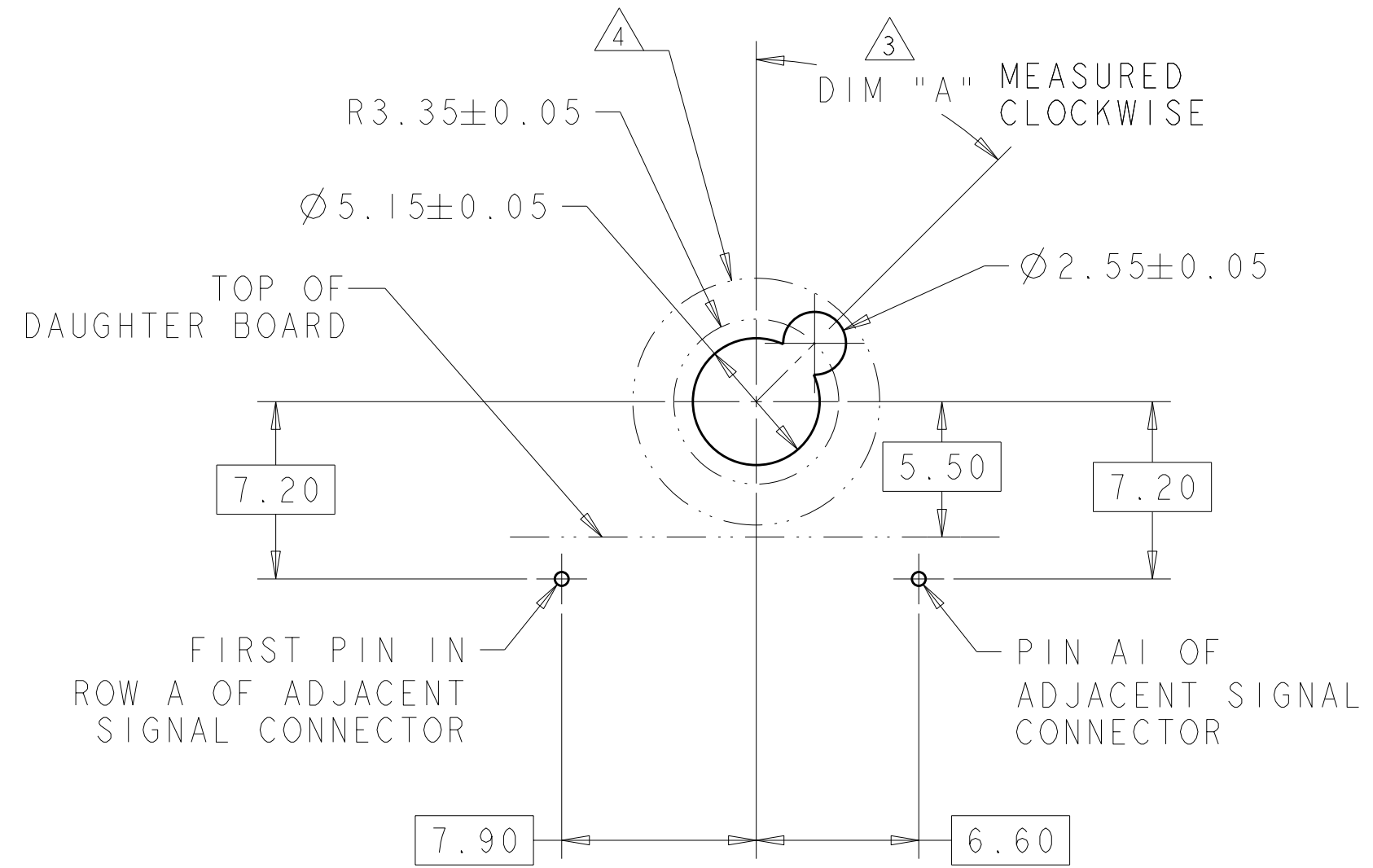
THIS DRAWING IS A CONTROLLED DOCUMENT.		DWN R. TREA 24FEB2004	24FEB2004		TE Connectivity
DIMENSIONS: mm		CHK B. PATERSON 24FEB2004	24FEB2004		
TOLERANCES UNLESS OTHERWISE SPECIFIED:		APVD G. GRIFFITH 24FEB2004	24FEB2004		NAME KEYED GUIDE PIN, DIE CAST BACKPLANE CONNECTOR, MULTIGIG, THREADED POST
0 PLC ± 1 PLC ±0.5 2 PLC ±.13 3 PLC ±0.013 4 PLC ± ANGLES ± FINISH ±		PRODUCT SPEC 108-2072	APPLICATION SPEC 114-13056		SIZE A2
MATERIAL 1	2	WEIGHT -	CAGE CODE A200779		DRAWING NO 1469491
CUSTOMER DRAWING			SCALE 5:1	SHEET 1 OF 2	REV B2

THIS DRAWING IS UNPUBLISHED. RELEASED FOR PUBLICATION 20
 © COPYRIGHT 20 BY - ALL RIGHTS RESERVED.

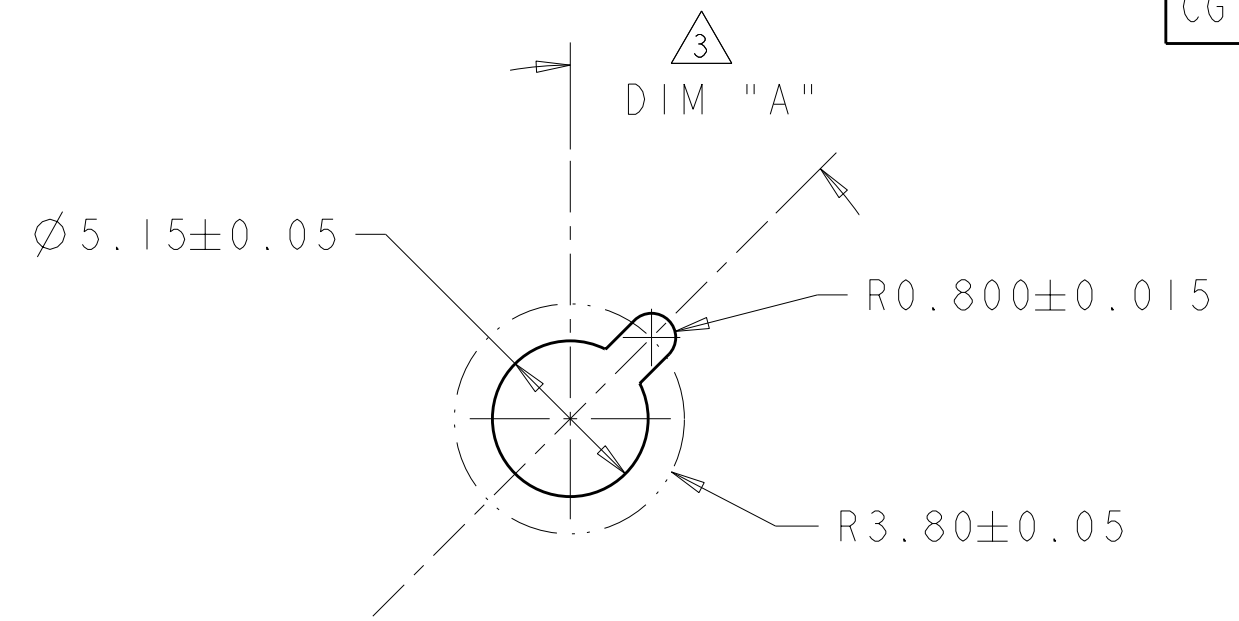
LOC	DIST	REVISIONS					
CG	00	P	LTR	DESCRIPTION	DATE	DWN	APVD
		-		SEE SHEET 1			



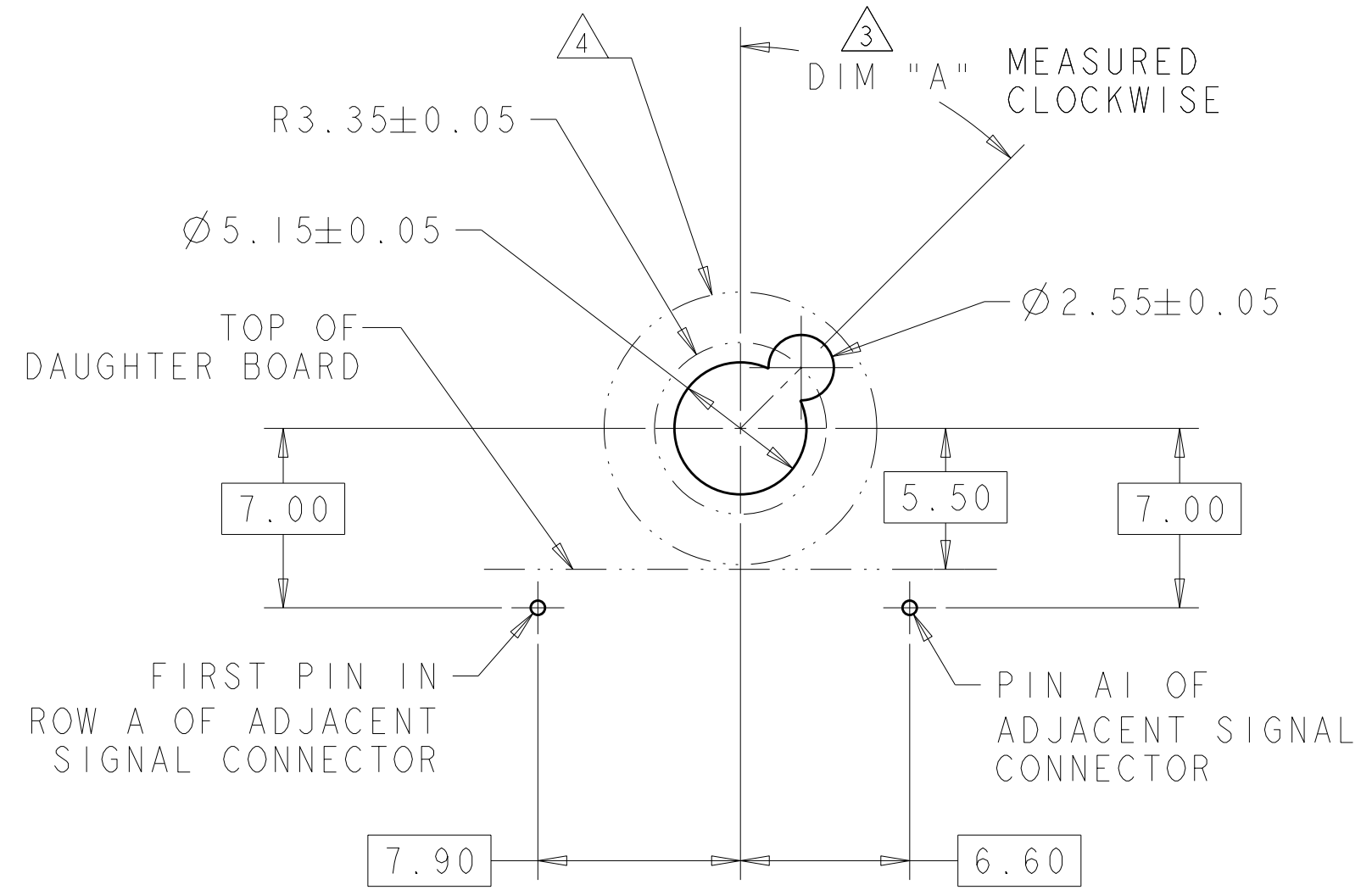
TIER 1
 GUIDE PIN FOOTPRINT
 (20.3 & 25.4mm SIGNAL MODULES)
 SCALE 4:1



TIER 2
 GUIDE PIN FOOTPRINT
 (20.3mm SIGNAL MODULES)
 SCALE 4:1



ALTERNATE PCB LAYOUT
 FOR GUIDE POST
 SCALE 4:1



TIER 2
 GUIDE PIN FOOTPRINT
 (25.4mm SIGNAL MODULES)
 SCALE 4:1

-	-	-
-	-	-
-	-	-
-	-	-
-	-	-
-	-	-
5	-	1-1469492-9
5	315°	1-1469492-8
5	270°	1-1469492-7
5	90°	1-1469492-3
5	45°	1-1469492-2
5	0°	1-1469492-1
-	-	-
-	-	-
-	-	-
-	-	-
-	-	-
FINISH	DIM "A"	20.3mm GUIDE MODULE
MATING GUIDE MODULE 3		

THIS DRAWING IS A CONTROLLED DOCUMENT.		DWN R. TREA 24FEB2004	TE Connectivity	
DIMENSIONS: mm		CHK B. PATERSON 24FEB2004		
TOLERANCES UNLESS OTHERWISE SPECIFIED:		APVD G. GRIFFITH 24FEB2004	NAME KEYED GUIDE PIN, DIE CAST BACKPLANE CONNECTOR, MULTIGIG, THREADED POST	
0 PLC ±- 1 PLC ±0.5 2 PLC ±.13 3 PLC ±0.013 4 PLC ±- ANGLES ±- FINISH ±-		PRODUCT SPEC 108-2072	SIZE A2	CAGE CODE 00779
MATERIAL		APPLICATION SPEC 114-13056	DRAWING NO. C-1469491	RESTRICTED TO -
		WEIGHT -	SCALE 1:1 SHEET 2 OF 2 REV B2	
		CUSTOMER DRAWING		