



Chipsmall Limited consists of a professional team with an average of over 10 year of expertise in the distribution of electronic components. Based in Hongkong, we have already established firm and mutual-benefit business relationships with customers from,Europe,America and south Asia,supplying obsolete and hard-to-find components to meet their specific needs.

With the principle of “Quality Parts,Customers Priority,Honest Operation,and Considerate Service”,our business mainly focus on the distribution of electronic components. Line cards we deal with include Microchip,ALPS,ROHM,Xilinx,Pulse,ON,Everlight and Freescale. Main products comprise IC,Modules,Potentiometer,IC Socket,Relay,Connector.Our parts cover such applications as commercial,industrial, and automotives areas.

We are looking forward to setting up business relationship with you and hope to provide you with the best service and solution. Let us make a better world for our industry!



Contact us

Tel: +86-755-8981 8866 Fax: +86-755-8427 6832

Email & Skype: info@chipsmall.com Web: www.chipsmall.com

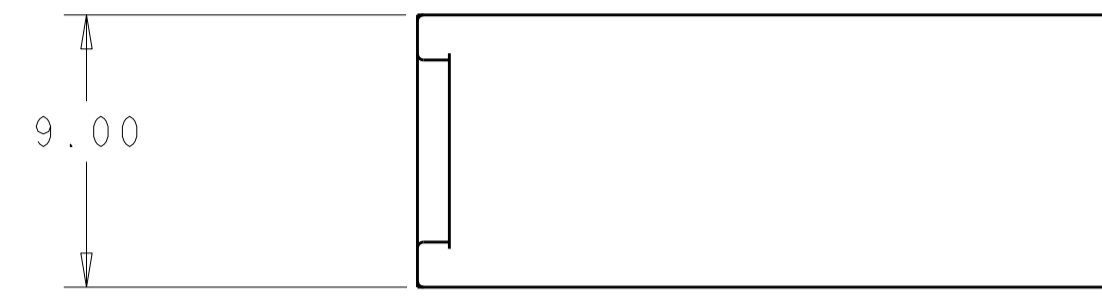
Address: A1208, Overseas Decoration Building, #122 Zhenhua RD., Futian, Shenzhen, China



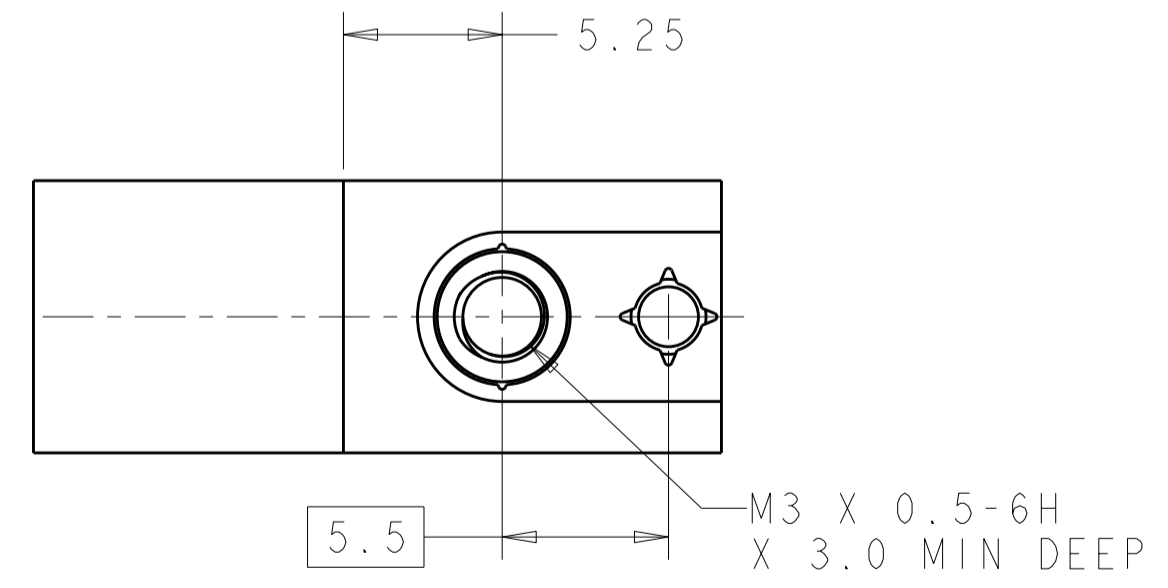
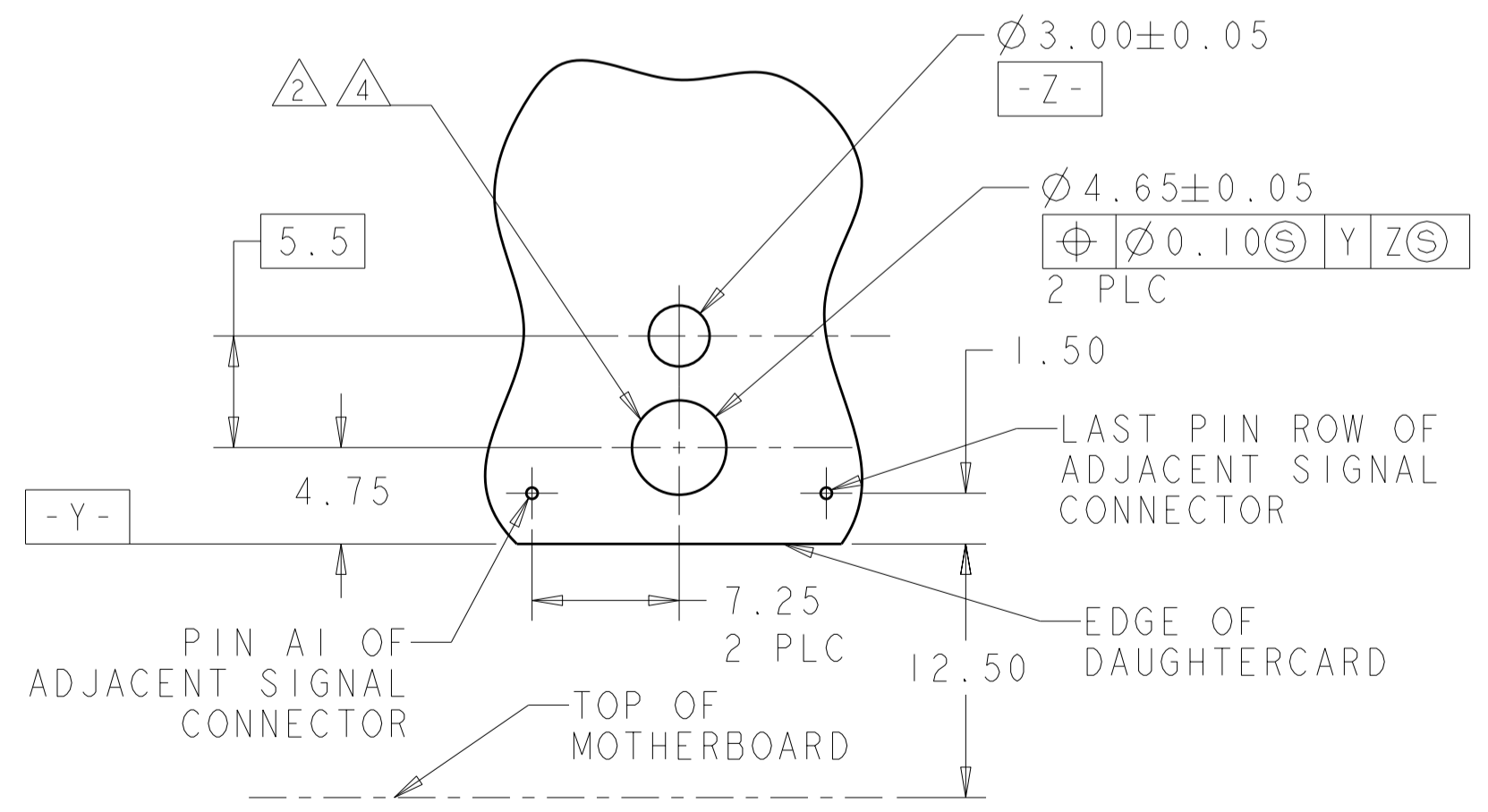
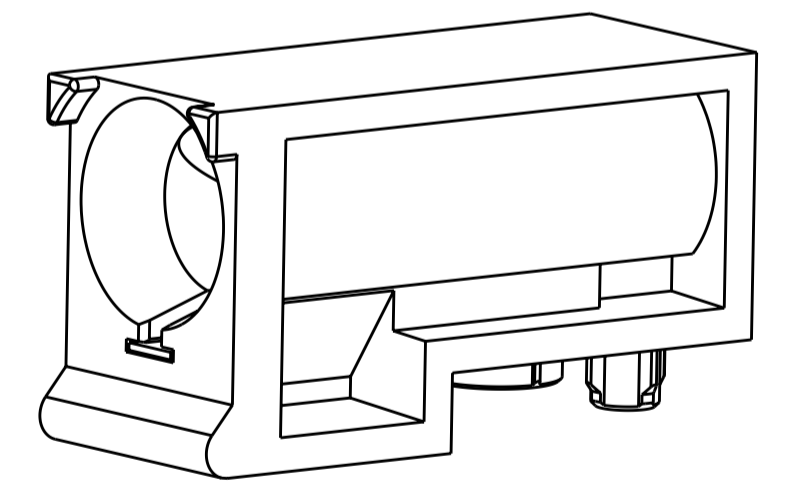
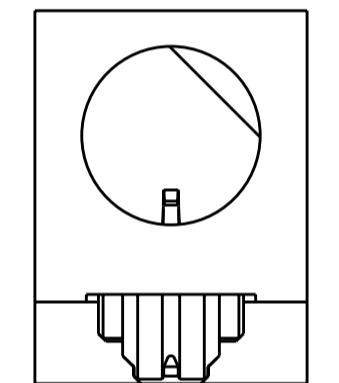
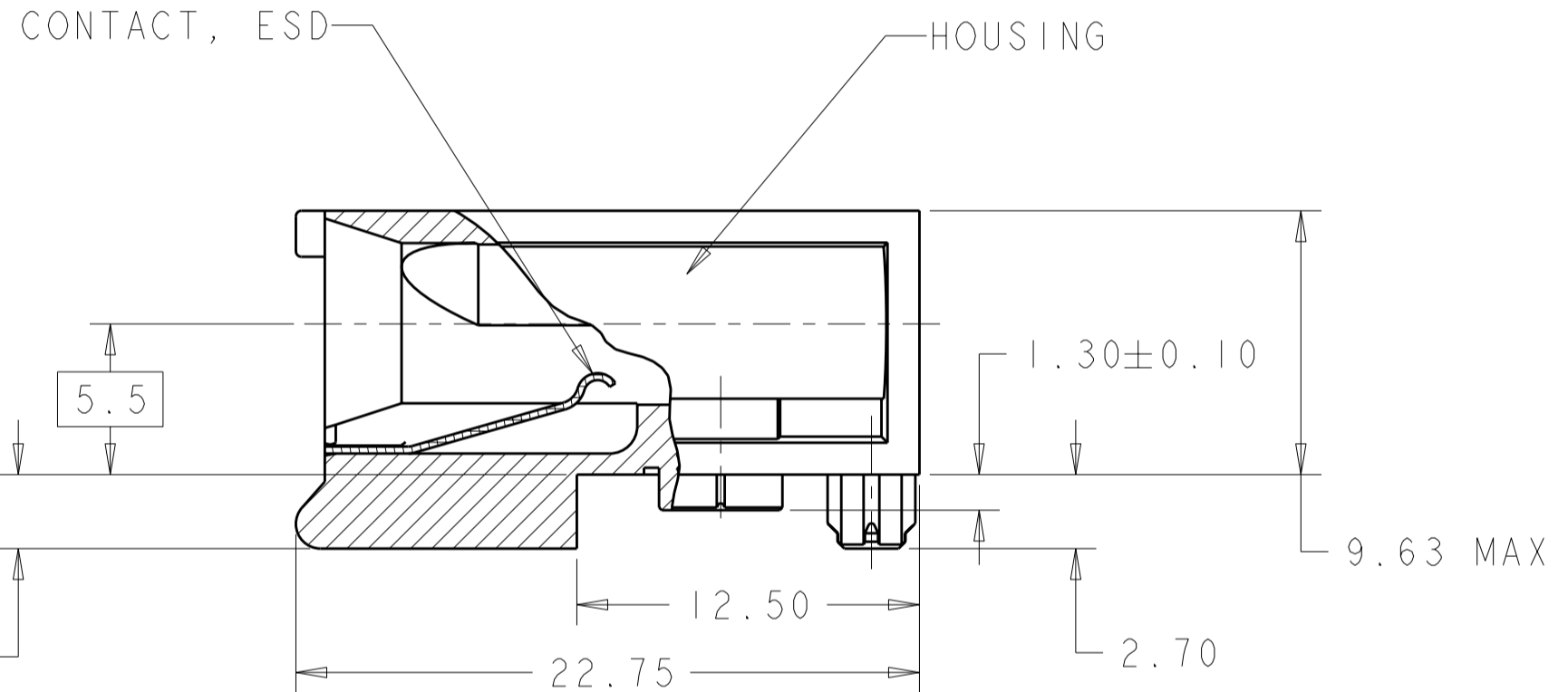
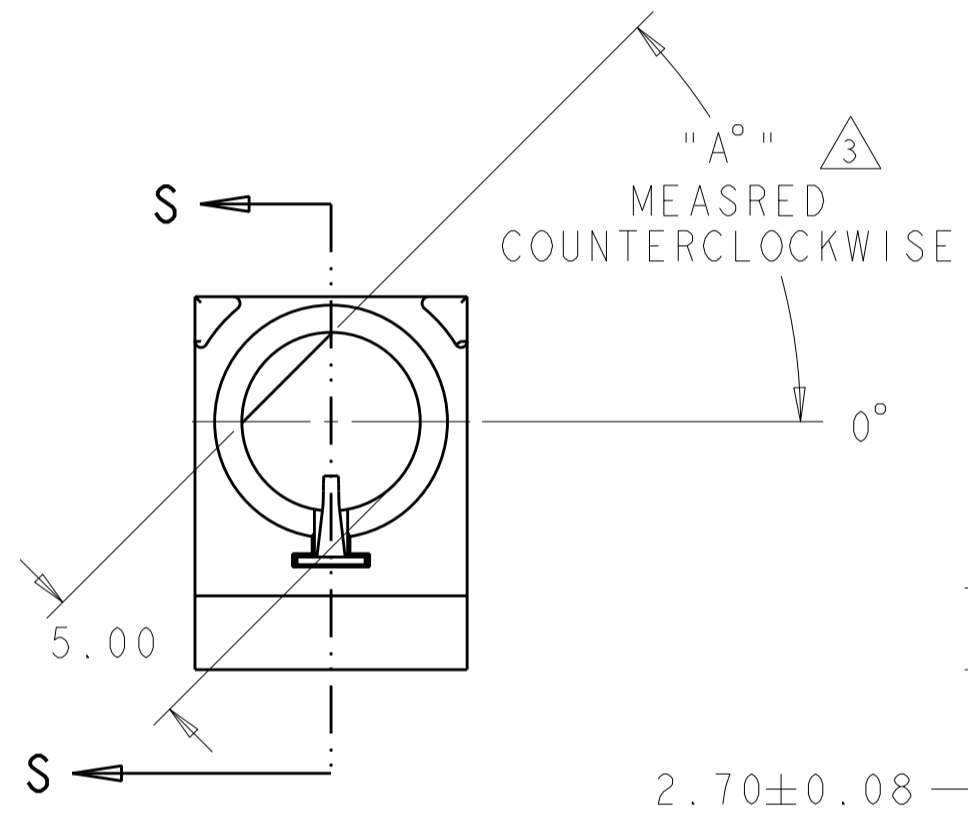
THIS DRAWING IS UNPUBLISHED. RELEASED FOR PUBLICATION 20
 © COPYRIGHT 20 BY - ALL RIGHTS RESERVED.

LOC	DIST	REVISIONS			
P	LTR	DESCRIPTION	DATE	DWN	APVD
AD	00	E	REVISED PER ECO-11-016268	30AUG2011	HMR AS

PART NO.	"A°"	HOUSING	CONTACT
1-1469492-1	0°	△5	△6
1-1469492-2	45°	△5	△6
1-1469492-3	90°	△5	△6
1-1469492-7	270°	△5	△6
1-1469492-8	315°	△5	△6
1-1469492-9	△7	△5	△6



- △1 MATERIAL: HOUSING: ZINC ALLOY DIE CASTING, ZAMAK 3; CONTACT: PHOSPHOR BRONZE
- △2 HOLE FOR POSITIVE RETENTION SCREW.
- △3 DASH NUMBERS INDICATE KEY ORIENTATION (P/N 1469492-2 SHOWN ON DRAWING)
- △4 GROUND PAD Ø5mm ON BOTH SIDE OF PCB.
- △5 FINISH: SILVER OVER NICKEL OVER COPPER
- △6 CONTACT FINISH: 3.81µm MINIMUM SILVER IN CONTACT AREA OVER 1.27µm MINIMUM NICKEL ALL OVER
- △7 GUIDE MODULE W/O KEYING; GUIDE PIN 1469491 SERIES MUST BE ORIENTED TO PROVIDE PROPER ESD PERFORMANCE



1469492
PART NO

THIS DRAWING IS A CONTROLLED DOCUMENT.		DWN R.TREA 24FEB2004	TE Connectivity	
DIMENSIONS: mm		CHK B.PATERSON 24FEB2004		
TOLERANCES UNLESS OTHERWISE SPECIFIED:		APVD G.GRIFFITH 24FEB2004	NAME MULTIGIG GUIDE MODULE/STANDOFF, RIGHT ANGLE, 20.3mm, DAUGHTERCARD 7ROW	
0 PLC ±0.5		PRODUCT SPEC 108-2072	SIZE A200779	
1 PLC ±0.13		APPLICATION SPEC 114-13056	CAGE CODE C-1469492	
2 PLC ±0.01		WEIGHT -	DRAWING NO 1469492	
3 PLC ±0.0001		CUSTOMER DRAWING	RESTRICTED TO -	
4 PLC ANGLES ±		SCALE 4:1	SHEET 1 OF 1	
FINISH △5 △6		REV E		