



Chipsmall Limited consists of a professional team with an average of over 10 year of expertise in the distribution of electronic components. Based in Hongkong, we have already established firm and mutual-benefit business relationships with customers from,Europe,America and south Asia,supplying obsolete and hard-to-find components to meet their specific needs.

With the principle of “Quality Parts,Customers Priority,Honest Operation,and Considerate Service”,our business mainly focus on the distribution of electronic components. Line cards we deal with include Microchip,ALPS,ROHM,Xilinx,Pulse,ON,Everlight and Freescale. Main products comprise IC,Modules,Potentiometer,IC Socket,Relay,Connector.Our parts cover such applications as commercial,industrial, and automotives areas.

We are looking forward to setting up business relationship with you and hope to provide you with the best service and solution. Let us make a better world for our industry!



## Contact us

Tel: +86-755-8981 8866 Fax: +86-755-8427 6832

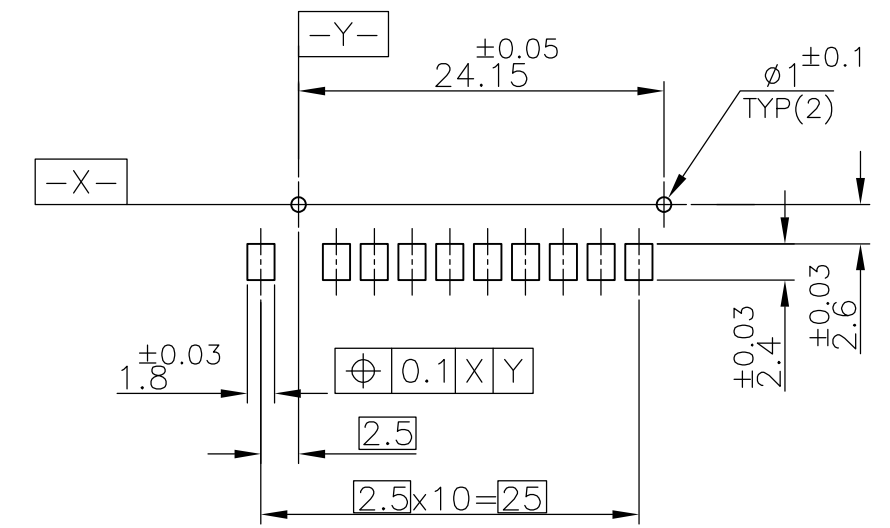
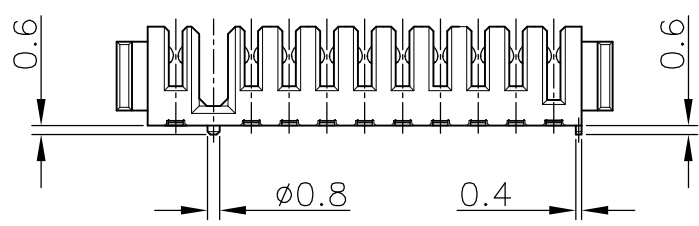
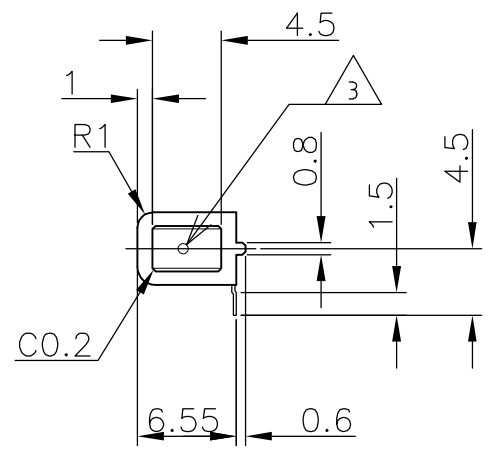
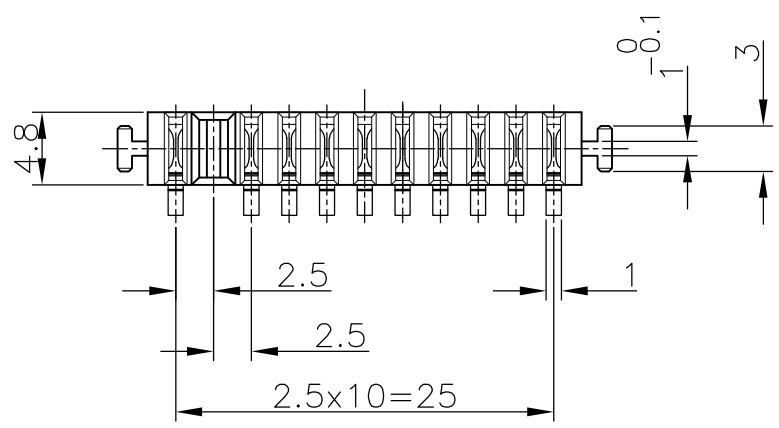
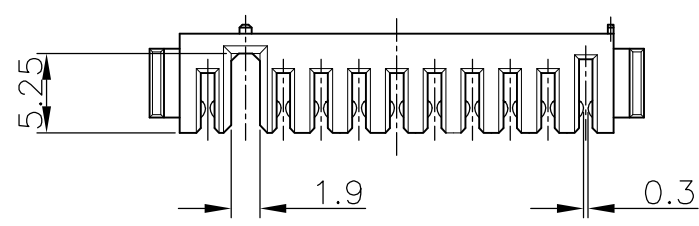
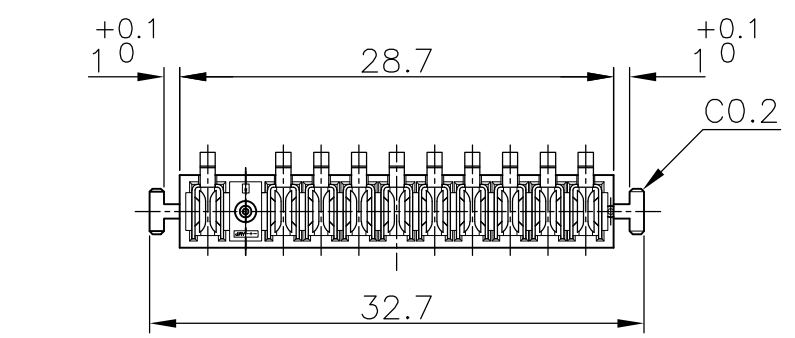
Email & Skype: info@chipsmall.com Web: www.chipsmall.com

Address: A1208, Overseas Decoration Building, #122 Zhenhua RD., Futian, Shenzhen, China



THIS DRAWING IS UNPUBLISHED. RELEASED FOR PUBLICATION APR, 2001.  
 © COPYRIGHT 2001 By - ALL RIGHTS RESERVED.

LOC	DIST	REVISIONS 変更					
J		P	LTR	DESCRIPTION	DATE	DWN	APVD
		D1		REVISED (ECR-14-017817)	24FEB2015	E.L	V.P



基板取付参考寸法  
 REFERENCE P.C.BOARD LAYOUT  
 P.C.BOARD THK 0.8~1.2  
 (VIEW FROM CONNECTOR MOUNTING SIDE)

- ① 材料
    - ・ハウジング：6Tナイロン、UL94V-0、黒
    - ・コンタクト：銅合金
  - ② 仕上げ
    - ・コンタクト：ニッケル下地めっき 2μm以上
    - 接触部 金めっき 0.3μm以上
    - 半田付け部 錫めっき 2~5μm
  - ③ 1-1473776-7のみ 指示する位置にレーザーマーキングあり
- ① MATERIAL  
 ・ HOUSING: 6T NYLON, UL94V-0, BLACK  
 ・ CONTACT: COPPER ALLOY
- ② FINISH  
 ・ CONTACT: Ni ALL OVER UNDER PL. 2μm MIN.  
 GOLD PL. 0.3μm MIN. AT CONTACT AREA  
 TIN PL. 2~5μm AT LEAD AREA
- ③ LASER MARKING TO THIS POSITION,  
 1-1473776-7 ONLY

鉛フリー  
 LEAD FREE

③	1-1473776-7
-	1473776-7
NOTE	PART NO.

THIS DRAWING IS A CONTROLLED DOCUMENT.		DWN	S.TODA	13APR01	TE Connectivity		
DIMENSIONS: 単位： 耗 mm		CHK	I.ENOMOTO	24MAY01			
TOLERANCES UNLESS OTHERWISE SPECIFIED: 一般公差		APVD	I.ENOMOTO	24MAY01	NAME 名称		
0 PLC ± 0.3		PRODUCT SPEC 製品規格		2.5mm Pitch BATTERY CONNECTOR RECEPTACLE ASSEMBLY (10P)			
1 PLC ± 0.3		APPLICATION SPEC 取付適用規格		SIZE			
2 PLC ± 0.3		WEIGHT		1.1 g		CAGE CODE	
3 PLC ± 0.3		CUSTOMER DRAWING		A300779		DRAWING NO	
4 PLC ± 0.3		SCALE		2:1		SHEET	
ANGLES ± 3'		RESTRICTED TO		G-1473776		1 OF 1	
FINISH 仕上		SCALE		2:1		REV	
①		SHEET		1 OF 1		D1	
②		REV		D1			