



Chipsmall Limited consists of a professional team with an average of over 10 year of expertise in the distribution of electronic components. Based in Hongkong, we have already established firm and mutual-benefit business relationships with customers from,Europe,America and south Asia,supplying obsolete and hard-to-find components to meet their specific needs.

With the principle of “Quality Parts,Customers Priority,Honest Operation,and Considerate Service”,our business mainly focus on the distribution of electronic components. Line cards we deal with include Microchip,ALPS,ROHM,Xilinx,Pulse,ON,Everlight and Freescale. Main products comprise IC,Modules,Potentiometer,IC Socket,Relay,Connector.Our parts cover such applications as commercial,industrial, and automotives areas.

We are looking forward to setting up business relationship with you and hope to provide you with the best service and solution. Let us make a better world for our industry!



Contact us

Tel: +86-755-8981 8866 Fax: +86-755-8427 6832

Email & Skype: info@chipsmall.com Web: www.chipsmall.com

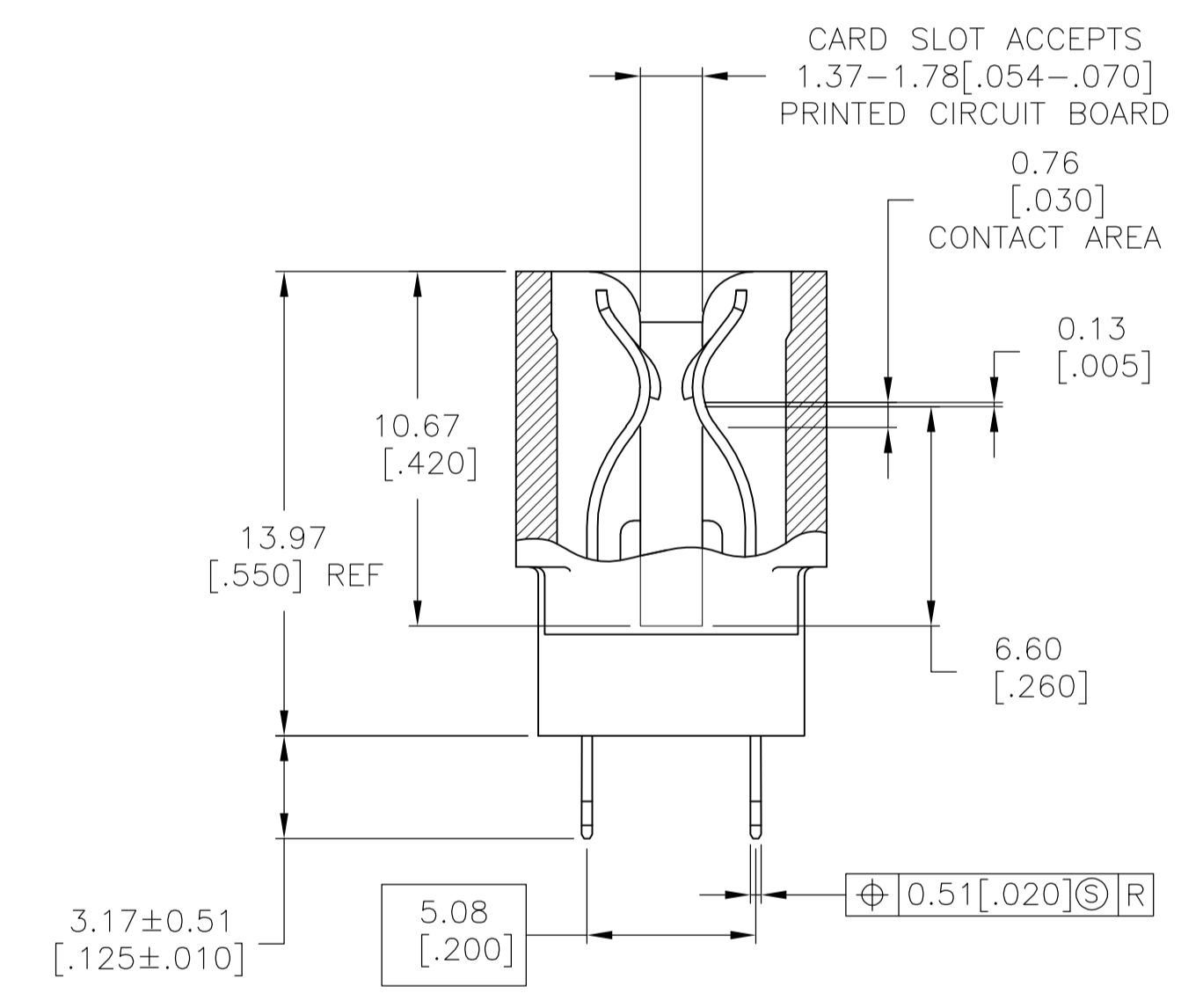
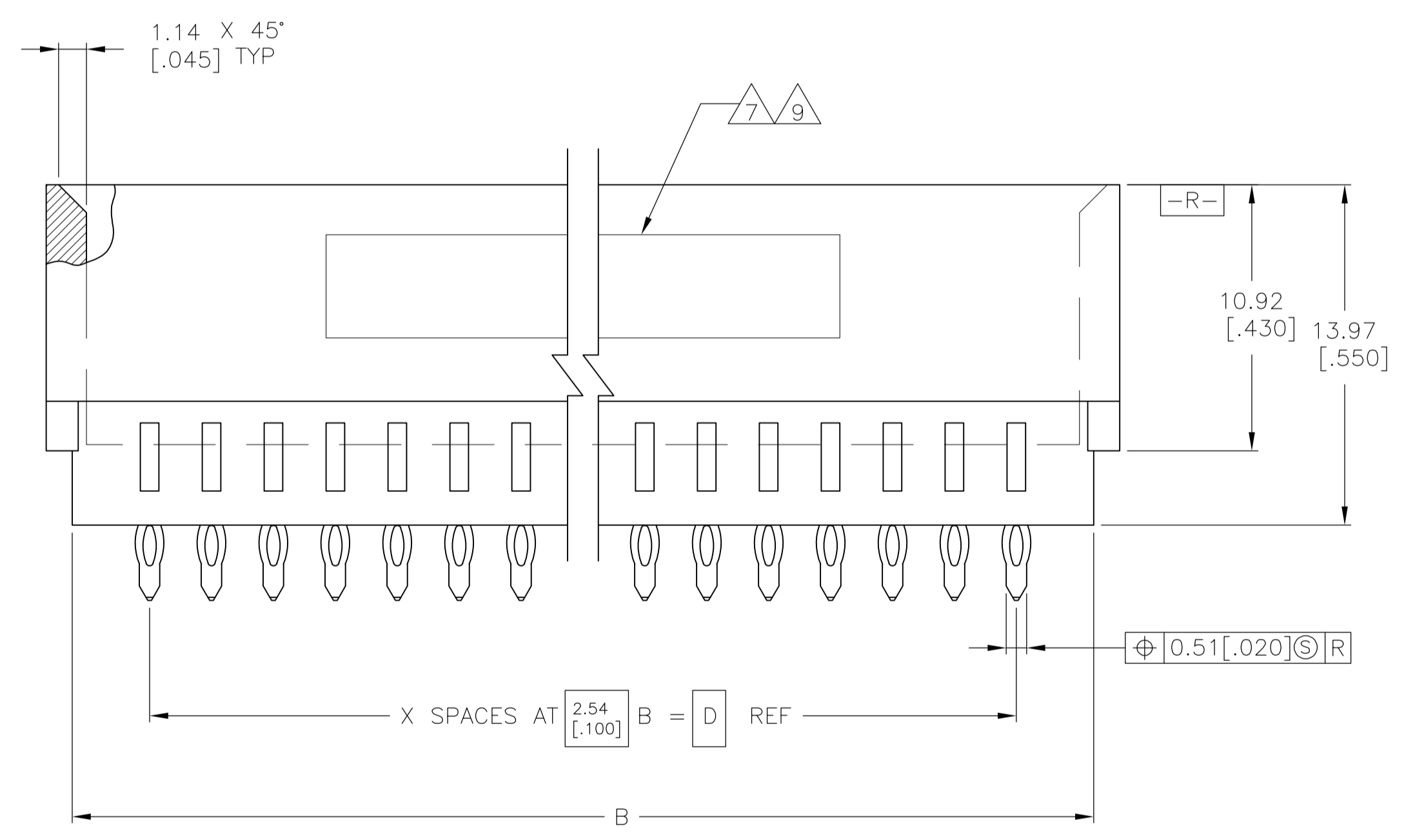
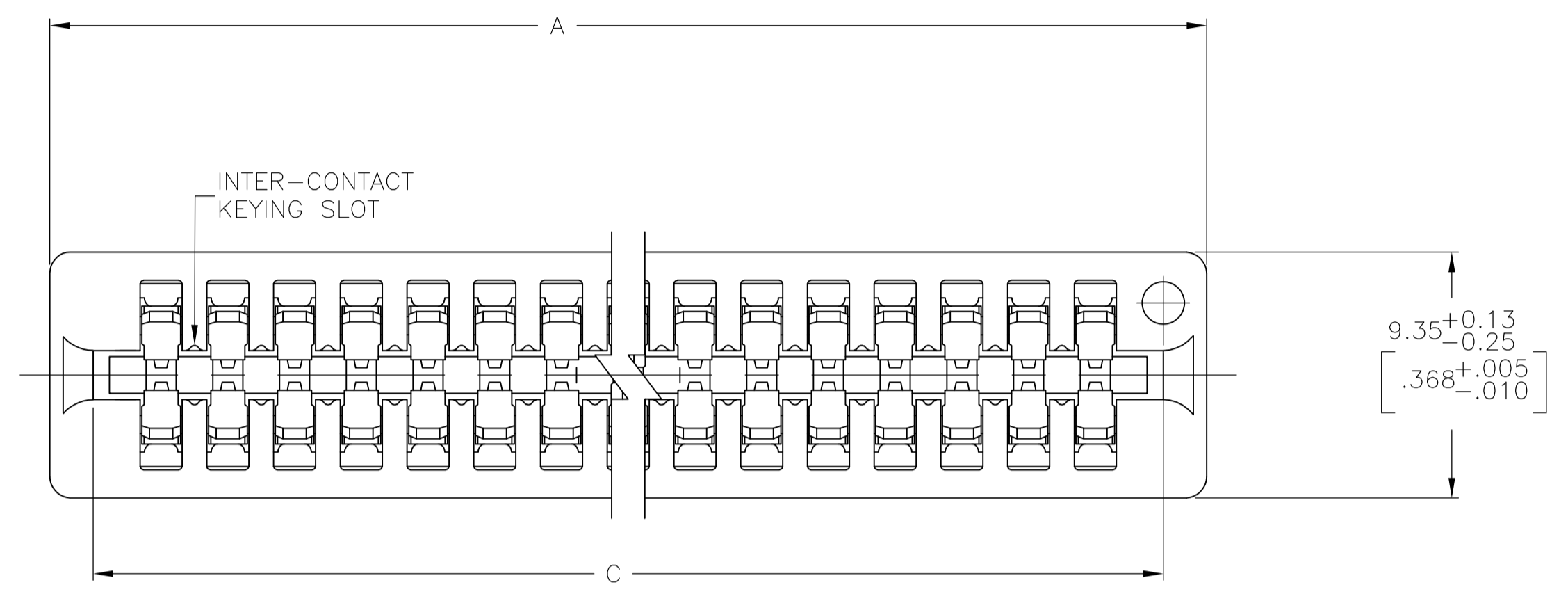
Address: A1208, Overseas Decoration Building, #122 Zhenhua RD., Futian, Shenzhen, China



		149.86	[5.900]	155.04	[6.104]	156.21	[6.150]	158.34	[6.234]	59	60	6-147490-0
		147.32	[5.800]	152.50	[6.004]	153.67	[6.050]	155.80	[6.134]	58	59	5-147490-9
		144.78	[5.700]	149.96	[5.904]	151.13	[5.950]	153.26	[6.034]	57	58	5-147490-8
		142.24	[5.600]	147.42	[5.804]	148.59	[5.850]	150.72	[5.934]	56	57	5-147490-7
		139.70	[5.500]	144.88	[5.704]	146.05	[5.750]	148.18	[5.834]	55	56	5-147490-6
		137.16	[5.400]	142.34	[5.604]	143.51	[5.650]	145.64	[5.734]	54	55	5-147490-5
		134.62	[5.300]	139.80	[5.504]	140.97	[5.550]	143.10	[5.634]	53	54	5-147490-4
		132.08	[5.200]	137.26	[5.404]	138.43	[5.450]	140.56	[5.534]	52	53	5-147490-3
		129.54	[5.100]	134.72	[5.304]	135.89	[5.350]	138.02	[5.434]	51	52	5-147490-2
		127.00	[5.000]	132.18	[5.204]	133.35	[5.250]	135.48	[5.334]	50	51	5-147490-1
		124.46	[4.900]	129.64	[5.104]	130.81	[5.150]	132.94	[5.234]	49	50	5-147490-0
		121.92	[4.800]	127.10	[5.004]	128.27	[5.050]	130.40	[5.134]	48	49	4-147490-9
		119.38	[4.700]	124.56	[4.904]	125.73	[4.950]	127.86	[5.034]	47	48	4-147490-8
		116.84	[4.600]	122.02	[4.804]	123.19	[4.850]	125.32	[4.934]	46	47	4-147490-7
		114.30	[4.500]	119.48	[4.704]	120.65	[4.750]	122.78	[4.834]	45	46	4-147490-6
		111.76	[4.400]	116.94	[4.604]	118.11	[4.650]	120.24	[4.734]	44	45	4-147490-5
		109.22	[4.300]	114.40	[4.504]	115.57	[4.550]	117.70	[4.634]	43	44	4-147490-4
		106.68	[4.200]	111.86	[4.404]	113.03	[4.450]	115.16	[4.534]	42	43	4-147490-3
		104.14	[4.100]	109.32	[4.304]	110.49	[4.350]	112.62	[4.434]	41	42	4-147490-2
		101.60	[4.000]	106.78	[4.204]	107.95	[4.250]	110.08	[4.334]	40	41	4-147490-1
		99.06	[3.900]	104.24	[4.104]	105.41	[4.150]	107.54	[4.234]	39	40	4-147490-0
		96.52	[3.800]	101.70	[4.004]	102.87	[4.050]	105.00	[4.134]	38	39	3-147490-9
		93.98	[3.700]	99.16	[3.904]	100.33	[3.950]	102.46	[4.034]	37	38	3-147490-8
		91.44	[3.600]	96.62	[3.804]	97.79	[3.850]	99.92	[3.934]	36	37	3-147490-7
		88.90	[3.500]	94.08	[3.704]	95.25	[3.750]	97.38	[3.834]	35	36	3-147490-6
		86.36	[3.400]	91.54	[3.604]	92.71	[3.650]	94.84	[3.734]	34	35	3-147490-5
		83.82	[3.300]	89.00	[3.504]	90.17	[3.550]	92.30	[3.634]	33	34	3-147490-4
		81.28	[3.200]	86.46	[3.404]	87.63	[3.450]	89.76	[3.534]	32	33	3-147490-3
		78.74	[3.100]	83.92	[3.304]	85.09	[3.350]	87.22	[3.434]	31	32	3-147490-2
		76.20	[3.000]	81.38	[3.204]	82.55	[3.250]	84.68	[3.334]	30	31	3-147490-1
		73.66	[2.900]	78.84	[3.104]	80.01	[3.150]	82.14	[3.234]	29	30	3-147490-0
		71.12	[2.800]	76.30	[3.004]	77.47	[3.050]	79.60	[3.134]	28	29	2-147490-9
		68.58	[2.700]	73.76	[2.904]	74.93	[2.950]	77.06	[3.034]	27	28	2-147490-8
		66.04	[2.600]	71.22	[2.804]	72.39	[2.850]	74.52	[2.934]	26	27	2-147490-7
		63.50	[2.500]	68.68	[2.704]	69.85	[2.750]	71.98	[2.834]	25	26	2-147490-6
		60.96	[2.400]	66.14	[2.604]	67.31	[2.650]	69.44	[2.734]	24	25	2-147490-5
		58.42	[2.300]	63.60	[2.504]	64.77	[2.550]	66.90	[2.634]	23	24	2-147490-4
		55.88	[2.200]	61.06	[2.404]	62.23	[2.450]	64.36	[2.534]	22	23	2-147490-3
		53.34	[2.100]	58.52	[2.304]	59.69	[2.350]	61.82	[2.434]	21	22	2-147490-2
		50.80	[2.000]	55.98	[2.204]	57.15	[2.250]	59.28	[2.334]	20	21	2-147490-1
		48.26	[1.900]	53.44	[2.104]	54.61	[2.150]	56.74	[2.234]	19	20	2-147490-0
		45.72	[1.800]	50.90	[2.004]	52.07	[2.050]	54.20	[2.134]	18	19	1-147490-9
		43.18	[1.700]	48.36	[1.904]	49.53	[1.950]	51.66	[2.034]	17	18	1-147490-8
		40.64	[1.600]	45.82	[1.804]	46.99	[1.850]	49.12	[1.934]	16	17	1-147490-7
		38.10	[1.500]	43.28	[1.704]	44.45	[1.750]	46.58	[1.834]	15	16	1-147490-6
		35.56	[1.400]	40.74	[1.604]	41.91	[1.650]	44.04	[1.734]	14	15	1-147490-5
		33.02	[1.300]	38.20	[1.504]	39.37	[1.550]	41.50	[1.634]	13	14	1-147490-4
		30.48	[1.200]	35.66	[1.404]	36.83	[1.450]	38.96	[1.534]	12	13	1-147490-3
		27.94	[1.100]	33.12	[1.304]	34.29	[1.350]	36.42	[1.434]	11	12	1-147490-2
		25.40	[1.000]	30.58	[1.204]	31.75	[1.250]	33.88	[1.334]	10	11	1-147490-1
		22.86	[.900]	28.04	[1.104]	29.21	[1.150]	31.34	[1.234]	9	10	1-147490-0

- 1 HOUSING: GLASS FILLED POLYESTER; COLOR: BLACK.
- 2 CONTACT: PHOSPHOR BRONZE.
- 3 NICKEL PLATE: 0.00127 [.000050] MIN - ALL OVER.
- 4 TIN-LEAD PLATE: 0.00254 [.000100] MIN - SOLDER POSTS.
- 5 GOLD PLATE: 0.00076 [.000030] MIN - CONTACT AREA.
- 6 NICKEL PLATE PER MIL-G-45204.
GOLD PLATE PER QQ-N-290.
- 7 TE PART NUMBER, DATE CODE AND CSA LOGO MAY BE MARKED IN APPROXIMATE AREA SHOWN, EITHER SIDE.
- 8 RECOMMENDED PCB FINISHED HOLE DIA: 1.02±0.08[.040±.003]
- 9 COUNTRY OF ORIGIN MAY BE MARKED IN APPROXIMATE AREA SHOWN, EITHER SIDE.
- 10 OBSOLETE PARTS: OBSOLETE CIS STREAMLINING PER D.RENAUD/D.SINISI

THIS DRAWING IS A CONTROLLED DOCUMENT.		DIN R BROWN 31JUL00		TE Connectivity																																		
DIMENSIONS: mm [INCHES]		TOLERANCES UNLESS OTHERWISE SPECIFIED:																																				
<table border="1"> <tr><td>0 PLC</td><td>±</td><td>-</td></tr> <tr><td>1 PLC</td><td>±</td><td>-</td></tr> <tr><td>2 PLC</td><td>±</td><td>0.13 [.005]</td></tr> <tr><td>3 PLC</td><td>±</td><td>-</td></tr> <tr><td>4 PLC</td><td>±</td><td>-</td></tr> </table>		0 PLC	±	-	1 PLC	±	-	2 PLC	±	0.13 [.005]	3 PLC	±	-	4 PLC	±	-	<table border="1"> <tr><td>APVD</td><td>M. MILLER</td><td>31JUL00</td></tr> <tr><td>NAME</td><td colspan="2">CONNECTOR ASSEMBLY, NEXT GEN PACE, 2.54 [.100] CL</td></tr> <tr><td>PRODUCT SPEC</td><td colspan="2">-</td></tr> <tr><td>APPLICATION SPEC</td><td colspan="2">-</td></tr> <tr><td>SIZE</td><td>CAGE CODE</td><td>DRAWING NO</td></tr> <tr><td>A1</td><td>00779</td><td>147490</td></tr> </table>		APVD	M. MILLER	31JUL00	NAME	CONNECTOR ASSEMBLY, NEXT GEN PACE, 2.54 [.100] CL		PRODUCT SPEC	-		APPLICATION SPEC	-		SIZE	CAGE CODE	DRAWING NO	A1	00779	147490	RESTRICTED TO	
0 PLC	±	-																																				
1 PLC	±	-																																				
2 PLC	±	0.13 [.005]																																				
3 PLC	±	-																																				
4 PLC	±	-																																				
APVD	M. MILLER	31JUL00																																				
NAME	CONNECTOR ASSEMBLY, NEXT GEN PACE, 2.54 [.100] CL																																					
PRODUCT SPEC	-																																					
APPLICATION SPEC	-																																					
SIZE	CAGE CODE	DRAWING NO																																				
A1	00779	147490																																				
MATERIAL HOUSING 1 CONTACT 2		FINISH CONTACT 3 4 5 6		WEIGHT -																																		
				CUSTOMER DRAWING SCALE 5:1 SHEET 1 OF 2 REV G																																		



THIS DRAWING IS A CONTROLLED DOCUMENT.		DIN R BROWN 31JUL00	TE Connectivity
DIMENSIONS: mm [INCHES]		CHK M MILLER 31JUL00	
TOLERANCES UNLESS OTHERWISE SPECIFIED:		APP'D M MILLER 31JUL00	NAME
0 PLG ± - 1 PLG ± - 2 PLG ± 0.13 [.005] 3 PLG ± - 4 PLG ± - ANGLES ± -		PRODUCT SPEC	CONNECTOR ASSEMBLY, NEXT GEN PACE, 2.54 [.100] CL
MATERIAL HOUSING 1 CONTACT 2		FINISH 3 4 5 6	RESTRICTED TO
CUSTOMER DRAWING		SIZE A1	SCALE 5:1 SHEET 2 OF 2 REV G