



Chipsmall Limited consists of a professional team with an average of over 10 year of expertise in the distribution of electronic components. Based in Hongkong, we have already established firm and mutual-benefit business relationships with customers from,Europe,America and south Asia,supplying obsolete and hard-to-find components to meet their specific needs.

With the principle of “Quality Parts,Customers Priority,Honest Operation,and Considerate Service”,our business mainly focus on the distribution of electronic components. Line cards we deal with include Microchip,ALPS,ROHM,Xilinx,Pulse,ON,Everlight and Freescale. Main products comprise IC,Modules,Potentiometer,IC Socket,Relay,Connector.Our parts cover such applications as commercial,industrial, and automotives areas.

We are looking forward to setting up business relationship with you and hope to provide you with the best service and solution. Let us make a better world for our industry!



Contact us

Tel: +86-755-8981 8866 Fax: +86-755-8427 6832

Email & Skype: info@chipsmall.com Web: www.chipsmall.com

Address: A1208, Overseas Decoration Building, #122 Zhenhua RD., Futian, Shenzhen, China



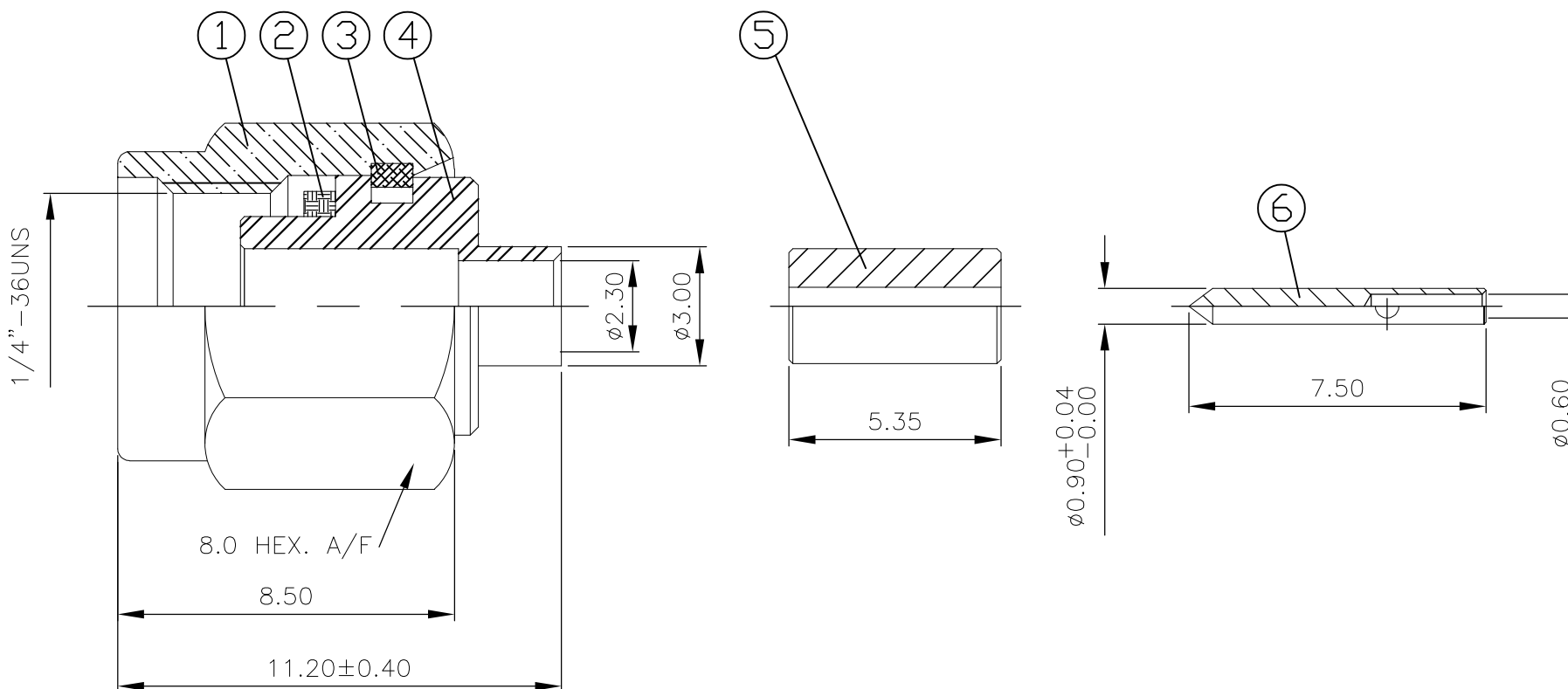
THIS DRAWING IS UNPUBLISHED. RELEASED FOR PUBLICATION APRIL, 2004.

© COPYRIGHT 2004 By - ALL RIGHTS RESERVED.

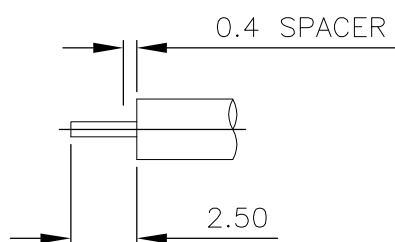
LOC	DIST	P	LTR	DESCRIPTION	DATE	DWN	APVD
E	B		A1	ECO-11-007944	15APR2011	RZ	MY

NOTES:

- 1 SINGLE PACK IN ACCORDANCE WITH SPEC 107-3275
- 2 100 TRAY PACK IN ACCORDANCE WITH SPEC 107-3275
- 3 0.08µm Au PLATING OVER 1.27µm Ni PLATING
- 4 0.08µm Au PLATING OVER 1.27µm Ni PLATING OVER 0.76µm Cu PLATING
- 5 0.76µm Au PLATING OVER 1.27µm Ni PLATING OVER 0.76µm Cu PLATING
- 6 PASSIVATED (GOLD PLATED CABLE ENTRY)
- 7 FOR TECHNICAL DATA REFER TO YOUR LOCAL TYCO ELECTRONICS SALES OFFICE
- 8 ALL DIMENSIONS ARE NOMINAL FOR REFERENCE ONLY UNLESS OTHERWISE STATED



RECOMMENDED CABLE STRIPPING DIM'S



	1	1	1	1	1	1	1	BRASS	△5	CENTER CONTACT	6
	1	1	1	1	1	1	1	PTFE		INSULATOR	5
	1	1	-	-	-	-	-	BRASS	△4	BODY	4
	-	-	1	1	-	-	-	STAINLESS STEEL	△6	BODY	4
	-	-	-	-	1	1	-	STAINLESS STEEL	△3	BODY	4
	1	1	1	1	1	1	1	STAINLESS STEEL		CIRCLIP	3
	1	1	1	1	1	1	1	SILICON		GASKET	2
	1	1	-	-	-	-	-	BRASS	△4	SHELL	1
	-	-	1	1	-	-	-	STAINLESS STEEL	△6	SHELL	1
	-	-	-	-	1	1	-	STAINLESS STEEL	△3	SHELL	1
	3--1	3--0	2--1	2--0	1--1	1--0		MATERIAL		DESCRIPTION	ITEM
	△2	△1	△2	△1	△2	△1					

THIS DRAWING IS A CONTROLLED DOCUMENT.		DWN R.SMITH 28JAN04	TE Connectivity SMA STRAIGHT PLUG DIRECT SOLDER NON CAPTIVE CENTRE CONTACT RG405/U			
DIMENSIONS: mm		CHK S.PARLOW 28JAN04				
TOLERANCES UNLESS OTHERWISE SPECIFIED:		APVD F.WHEELER-KING 28JAN04				
0 PLC ± - 1 PLC ± - 2 PLC ± - 3 PLC ± - 4 PLC ± - ANGLES ± - MATERIAL FINISH -		NAME				
MATERIAL SEE TABLE		PRODUCT SPEC 108-112003	SIZE	CAGE CODE	DRAWING NO	RESTRICTED TO
		APPLICATION SPEC 408-4765	A3	00779	C-1478904	-
		WEIGHT -	CUSTOMER DRAWING		SCALE 1:1	SHEET 1 OF 1
					REV A1	