



Chipsmall Limited consists of a professional team with an average of over 10 year of expertise in the distribution of electronic components. Based in Hongkong, we have already established firm and mutual-benefit business relationships with customers from,Europe,America and south Asia,supplying obsolete and hard-to-find components to meet their specific needs.

With the principle of “Quality Parts,Customers Priority,Honest Operation,and Considerate Service”,our business mainly focus on the distribution of electronic components. Line cards we deal with include Microchip,ALPS,ROHM,Xilinx,Pulse,ON,Everlight and Freescale. Main products comprise IC,Modules,Potentiometer,IC Socket,Relay,Connector.Our parts cover such applications as commercial,industrial, and automotives areas.

We are looking forward to setting up business relationship with you and hope to provide you with the best service and solution. Let us make a better world for our industry!



Contact us

Tel: +86-755-8981 8866 Fax: +86-755-8427 6832

Email & Skype: info@chipsmall.com Web: www.chipsmall.com

Address: A1208, Overseas Decoration Building, #122 Zhenhua RD., Futian, Shenzhen, China

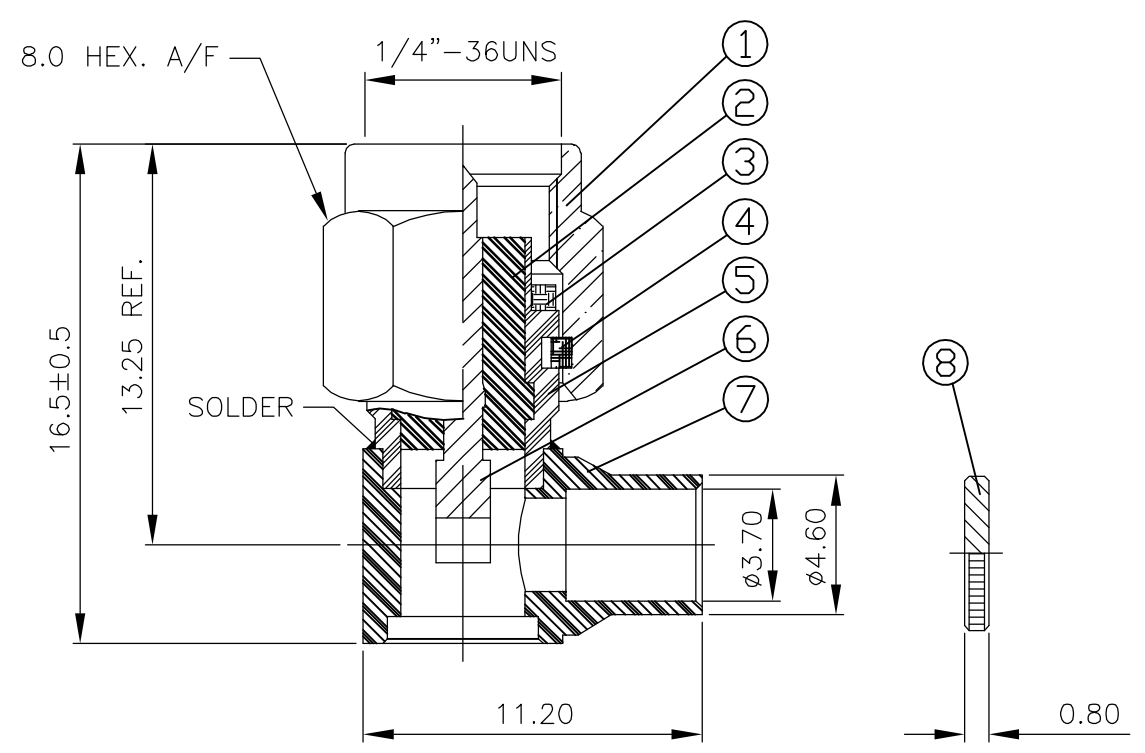
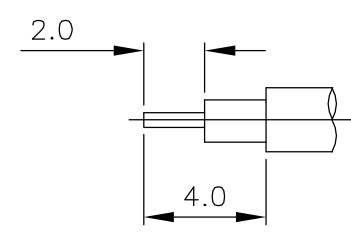


THIS DRAWING IS UNPUBLISHED. RELEASED FOR PUBLICATION APRIL, 2004.
 © COPYRIGHT 2004 BY TYCO ELECTRONICS CORPORATION. ALL RIGHTS RESERVED.

LOC	DIST	REVISIONS					
		P	LTR	DESCRIPTION	DATE	DWN	APVD
E	B		A	EBD0-0035-03	09FEB04	RS	FWK

- NOTES:
- 1 SINGLE PACK IN ACCORDANCE WITH SPEC 107-3275
 - 2 100 TRAY PACK IN ACCORDANCE WITH SPEC 107-3275
 - 3 0.08µm Au PLATING OVER 1.27µm Ni PLATING
 - 4 0.08µm Au PLATING OVER 1.27µm Ni PLATING OVER 0.76µm Cu PLATING
 - 5 0.76µm Au PLATING OVER 1.27µm Ni PLATING OVER 0.76µm Cu PLATING
 - 6 PASSIVATED (GOLD PLATED CABLE ENTRY)
 - 7 FOR TECHNICAL DATA REFER TO YOUR LOCAL TYCO ELECTRONICS SALES OFFICE
 - 8 ALL DIMENSIONS ARE NOMINAL FOR REFERENCE ONLY UNLESS OTHERWISE STATED

RECOMMENDED
CABLE STRIPPING DIM'S



QTY	1	2	3	4	5	6	7	8	MATERIAL	DESCRIPTION	ITEM
	1	1	-	-	-	-	-	-	BRASS	△4 CAP	8
	-	-	1	1	-	-	-	-	STAINLESS STEEL	△6 CAP	8
	-	-	-	-	1	1	-	-	STAINLESS STEEL	△3 CAP	8
	1	1	-	-	-	-	-	-	BRASS	△4 CHASSIS	7
	-	-	1	1	-	-	-	-	STAINLESS STEEL	△6 CHASSIS	7
	-	-	-	-	1	1	-	-	STAINLESS STEEL	△3 CHASSIS	7
	1	1	1	1	1	1	-	-	BRASS	△5 CENTER CONTACT	6
	1	1	-	-	-	-	-	-	BRASS	△4 BODY	5
	-	-	1	1	-	-	-	-	STAINLESS STEEL	△6 BODY	5
	-	-	-	-	1	1	-	-	STAINLESS STEEL	△3 BODY	5
	1	1	1	1	1	1	-	-	STAINLESS STEEL	CIRCLIP	4
	1	1	1	1	1	1	-	-	SILICON	GASKET	3
	1	1	1	1	1	1	-	-	PTFE	INSULATOR	2
	1	1	-	-	-	-	-	-	BRASS	△4 SHELL	1
	-	-	1	1	-	-	-	-	STAINLESS STEEL	△6 SHELL	1
	-	-	-	-	1	1	-	-	STAINLESS STEEL	△3 SHELL	1
	3--1	3--0	2--1	2--0	1--1	1--0			MATERIAL	DESCRIPTION	ITEM
	△2	△1	△2	△1	△2	△1					

THIS DRAWING IS A CONTROLLED DOCUMENT.		DWN R.SMITH 09FEB04	Tyco Electronics Corporation Bideford, UK, EX39 4HE	
DIMENSIONS: mm		CHK S.PARLOW 09FEB04		
TOLERANCES UNLESS OTHERWISE SPECIFIED:		APVD F.WHEELER-KING 09FEB04	NAME SMA RIGHT ANGLE PLUG DIRECT SOLDER	
0 PLC ± -		PRODUCT SPEC 108-3460	CAPTIVE CONTACT	
1 PLC ± -		APPLICATION SPEC 411-3276	RG402/U	
2 PLC ± -		WEIGHT -	SIZE A3	CAGE CODE 00779
3 PLC ± -		CUSTOMER DRAWING	DRAWING NO C-1478905	RESTRICTED TO -
4 PLC ± -			SCALE 1:1	SHEET 1 OF 1
ANGLES ± -				
FINISH -				
MATERIAL SEE TABLE				