



Chipsmall Limited consists of a professional team with an average of over 10 year of expertise in the distribution of electronic components. Based in Hongkong, we have already established firm and mutual-benefit business relationships with customers from,Europe,America and south Asia,supplying obsolete and hard-to-find components to meet their specific needs.

With the principle of “Quality Parts,Customers Priority,Honest Operation,and Considerate Service”,our business mainly focus on the distribution of electronic components. Line cards we deal with include Microchip,ALPS,ROHM,Xilinx,Pulse,ON,Everlight and Freescale. Main products comprise IC,Modules,Potentiometer,IC Socket,Relay,Connector.Our parts cover such applications as commercial,industrial, and automotives areas.

We are looking forward to setting up business relationship with you and hope to provide you with the best service and solution. Let us make a better world for our industry!



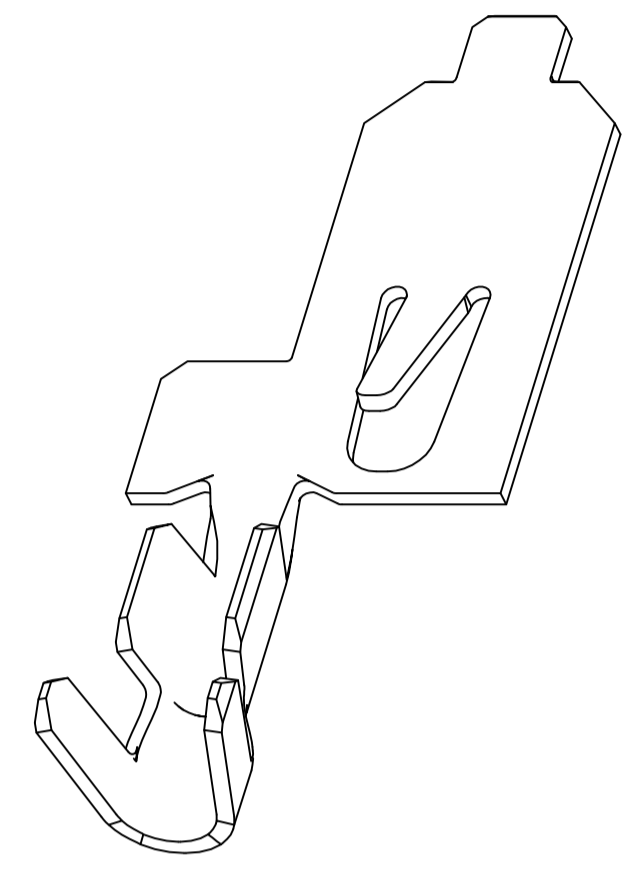
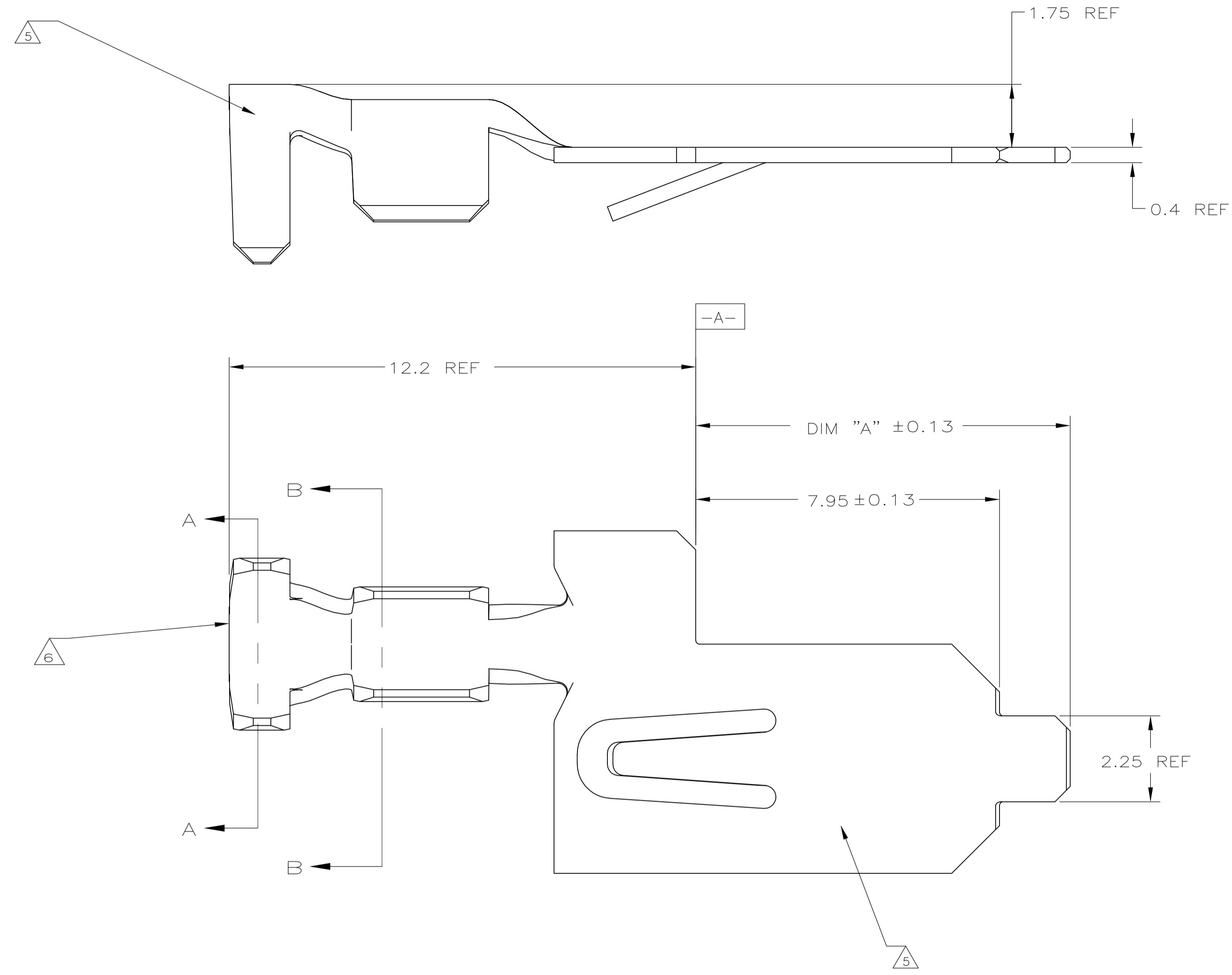
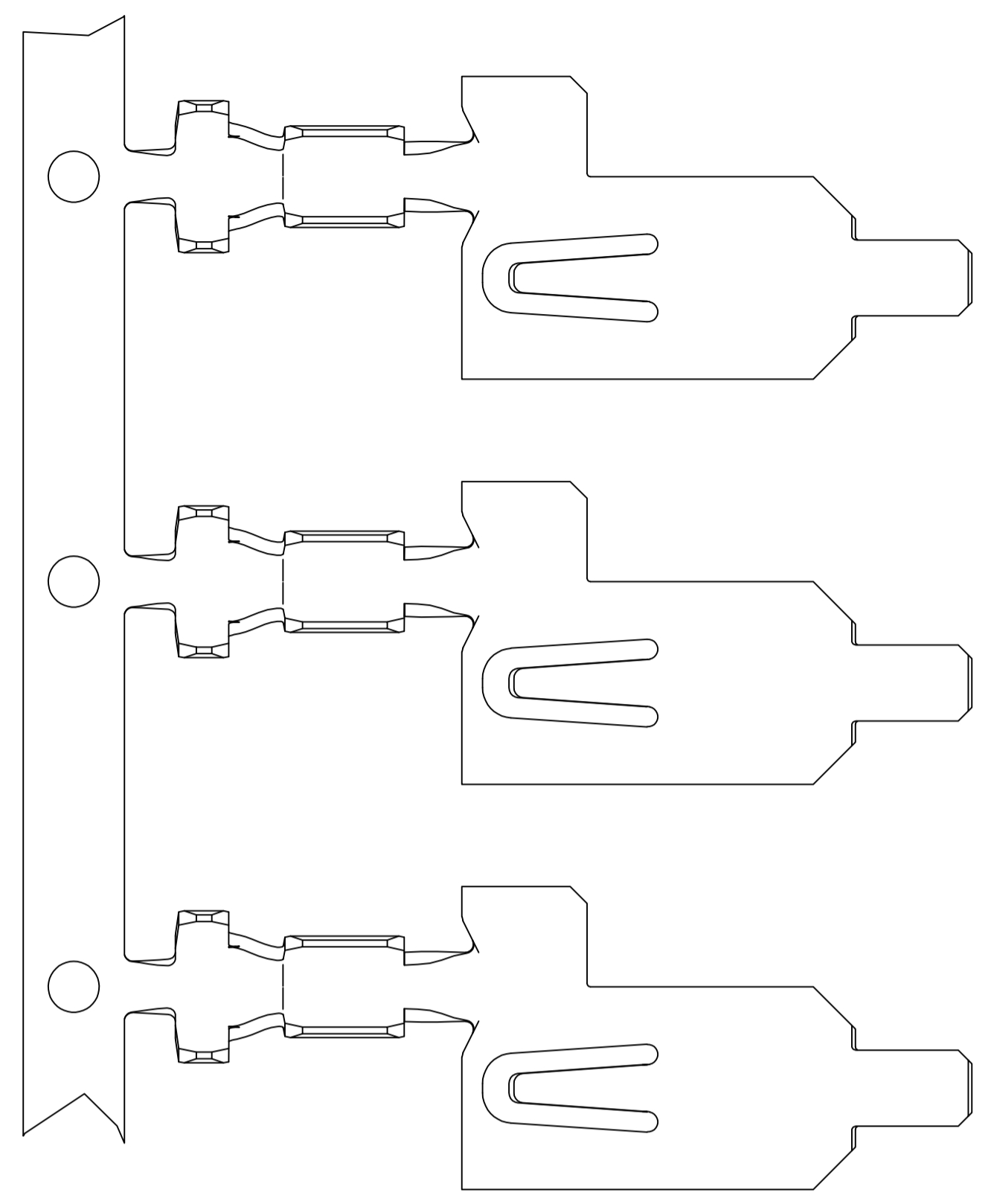
Contact us

Tel: +86-755-8981 8866 Fax: +86-755-8427 6832

Email & Skype: info@chipsmall.com Web: www.chipsmall.com

Address: A1208, Overseas Decoration Building, #122 Zhenhua RD., Futian, Shenzhen, China

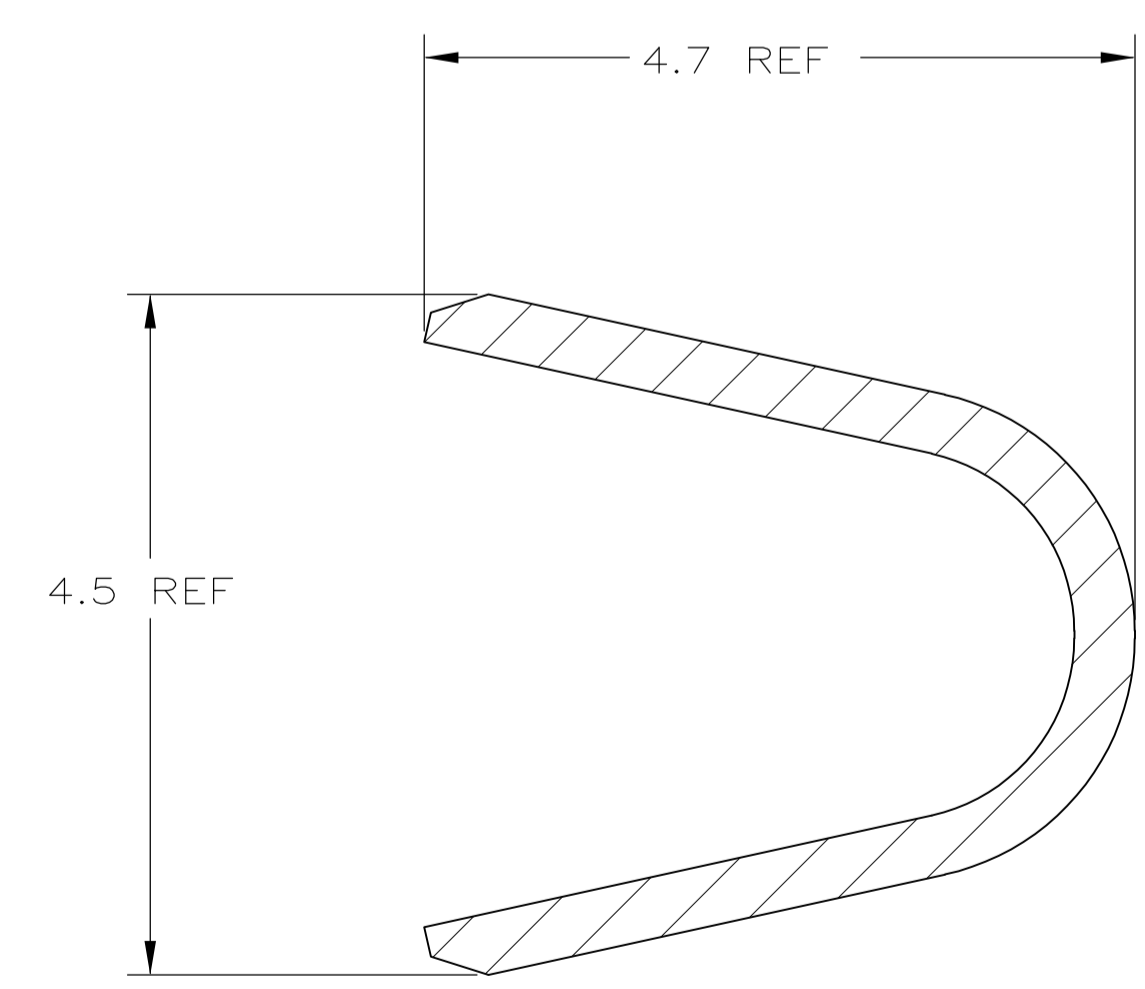




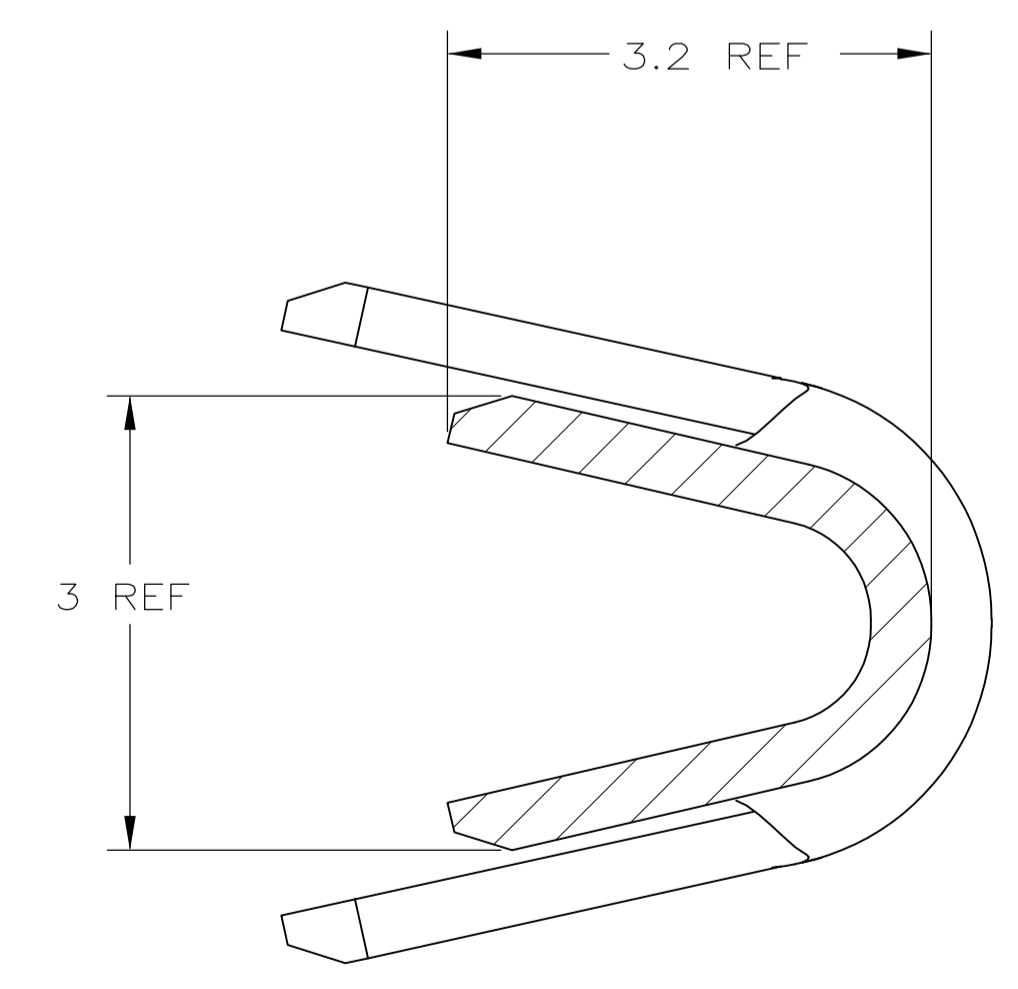
SCALE 5:1

- 1 MATERIAL: BRASS
- 2 MATERIAL: HIGH CONDUCTIVITY COPPER ALLOY
- 3 FINISH: CONTACT MATING AREA .38μm MIN Au; CRIMP AREA 2.03μm MIN. Sn; UNDERPLATE OVERALL 1.27μm MIN. Ni
- 4 FINISH: CONTACT MATING AREA 1.27μm MIN Au; CRIMP AREA 2.03μm MIN. Sn; UNDERPLATE OVERALL 1.27μm MIN Ni
- 5 CONTACT SHOWN W/O CARRIER, OR HIDDEN LINES, FOR CLARITY
- 6 CUT OFF TO BE .13 MAX
- 7 INSULATION DIAMETER : 2.0-3.1 mm
- 8 WIRE DIAMETER: 16-20 AWG
- 10 THIS PRODUCT HAS NOT COMPLETED VALIDATION TESTING.
- 11 FINISH: ENTIRE CONTACT 1.27μm MIN Au; UNDERPLATE OVERALL 1.27μm MIN Ni

SCALE 12:1



SECTION A-A
SCALE 20:1



SECTION B-B
SCALE 20:1

2	6	11	11.4	1-1489128-6
2	6	11	9.8	1-1489128-5
1	6	11	11.4	1-1489128-4
1	6	11	9.8	1-1489128-3
2	-	4	11.4	1-1489128-0
2	-	4	9.8	1489128-9
1	-	3	11.4	1489128-8
1	-	3	9.8	1489128-7
1	-	4	11.4	1489128-3
1	-	4	9.8	1489128-2
MATERIAL	LOOSE PIECE	FINISH	DIM "A"	PART NO

THIS DRAWING IS A CONTROLLED DOCUMENT. **Tyco Electronics** Tyco Electronics Corporation, Middletown, Pa 17057

AL FRANTUM 15 MAY 02

PRODUCT SPEC: 108-1998
 APPLICATION SPEC: 114-13067

MINI POWER DRAWER CRIMP PLUG CONTACT 16 - 20 GAUGE

SIZE: A1 CAGE CODE: 00779 DRAWING NO: 1489128

RESTRICTED TO: CUSTOMER DRAWING SCALE: 4:1 SHEET: 1 OF 1 REV: C