



Chipsmall Limited consists of a professional team with an average of over 10 year of expertise in the distribution of electronic components. Based in Hongkong, we have already established firm and mutual-benefit business relationships with customers from,Europe,America and south Asia,supplying obsolete and hard-to-find components to meet their specific needs.

With the principle of "Quality Parts,Customers Priority,Honest Operation,and Considerate Service",our business mainly focus on the distribution of electronic components. Line cards we deal with include Microchip,ALPS,ROHM,Xilinx,Pulse,ON,Everlight and Freescale. Main products comprise IC,Modules,Potentiometer,IC Socket,Relay,Connector.Our parts cover such applications as commercial,industrial, and automotives areas.

We are looking forward to setting up business relationship with you and hope to provide you with the best service and solution. Let us make a better world for our industry!



Contact us

Tel: +86-755-8981 8866 Fax: +86-755-8427 6832

Email & Skype: info@chipsmall.com Web: www.chipsmall.com

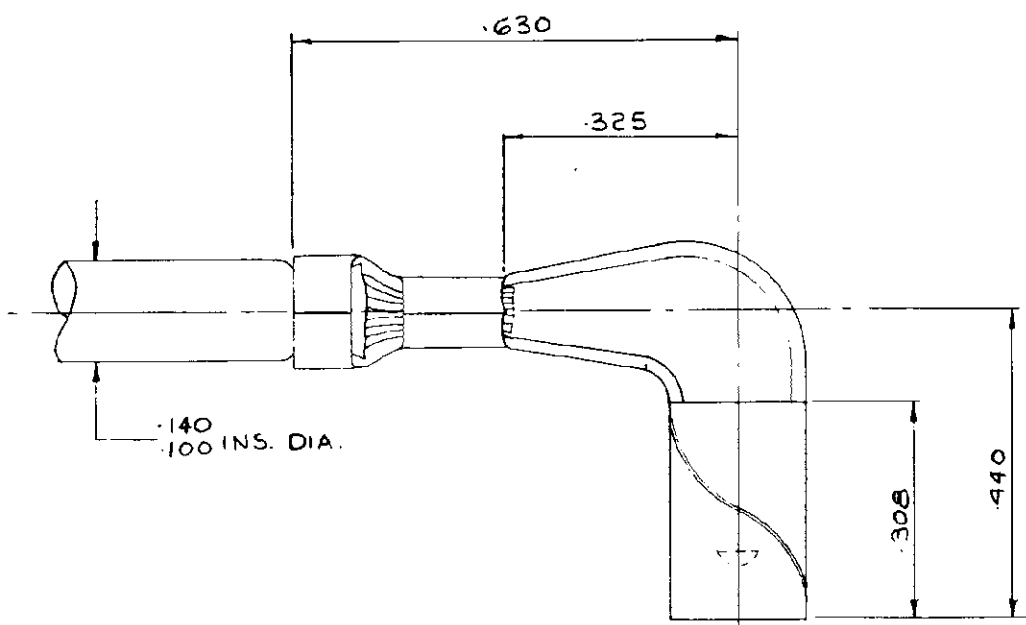
Address: A1208, Overseas Decoration Building, #122 Zhenhua RD., Futian, Shenzhen, China



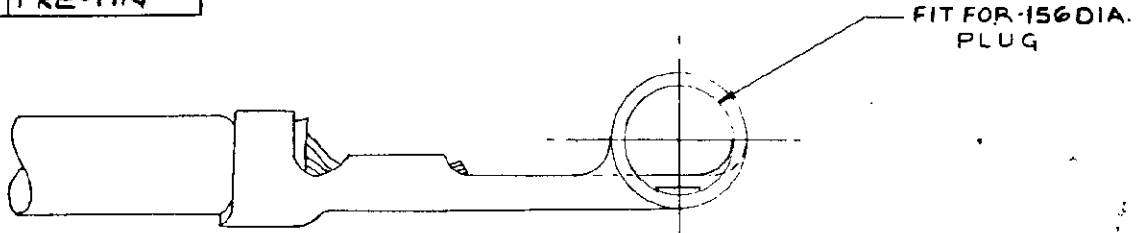
NUMBER C-150656

C AIRCRAFT-MARINE PRODUCTS (G.B.) LTD. 1963

1 OBSOLETE PARTS: OBSOLETE CIS STREAMLINING PER D.RENAUD/D.SINISI



1-150656-2	REVERSE REELED PRE-TIN	OBSOLETE	1
150656-2	PRE-TIN		



CUSTOMER COPY
FOR REFERENCE ONLY

1-150656-1	REVERSE REELED
150656-1	NONE
PART No	FINISH.

DIMENSIONS IN INCHES DO NOT SCALE PRINT

MATERIAL 020 PHOS. BRONZE		HEAT TREAT ~	COATING OR PLATING ~
UNLESS OTHERWISE SPECIFIED REMOVE BURRS. BREAK SHARP EDGES 1/64 R. MAX FRACTIONS ± 1/64 DECIMALS .000 = ± .005 ANGLES: ± 0° 30' .0000 = ± .0005			
FIRST USED	WIRE RANGE 20-16	CLASS WT-R	TYPE AUTOMATIC
P.P.P.	AREA	SCALE 4:1	
DR: Seagrave 20.6.63		AMP AIRCRAFT-MARINE PRODUCTS (GREAT BRITAIN) LTD. LONDON, E.C.1.	
CHK: [Signature]	APP: [Signature]	LOC No	REV
REL	DATE	A	C-150656 C1
LTR REVISION RECORD		NAME WIRE TERMINAL SHUR PLUG RECEPTACLE	